



DAVID MANNERS

PARTS FOR JAGUAR & DAIMLER CARS

XK120 | XK140 | XK150 | MK-II | E-TYPE | V8 | SP250 | 420 | MK-X | XJ6 | XJS | XJ40 | X300 | X308 | X350 | XK8 | XJ8 | X-TYPE | S-TYPE



DAIMLER SP250 RETAIL PARTS GUIDE



0121 544 4040

E-MAIL: ENQUIRIES@DAVIDMANNERS.CO.UK
OR VISIT OUR OLDBURY TRADE COUNTER - B69 4RJ

WWW.DAVIDMANNERS.CO.UK

PARTS FOR CLASSIC MINI | JAGUAR & DAIMLER | MG & TRIUMPH | MORRIS MINOR | MX-5

DAIMLER DART A.B.C SPEC (SP250) Price List

PARTNO	DESCRIPTION	David Manners Ltd DAIMLER DART A.B.C SPEC (SP250)	Retail price	IncVat PRICE
---------------	--------------------	--	---------------------	---------------------

Information

SP250 A..B..C.. SPEC. 1961 TO 1964 ..

Parts Catalogues

On part numbers that end with a * It means the part is a copy

On pasrt numbers ending in a # It means the part is of an original manufacture.

D5*	DART PARTS CATALOGUE
R27/010/33*	DART OWNERS HANDBOOK
E1005/3*	WORKSHOP MANUAL DART

Service Items

N5	SPARK PLUG CHAMPION .
BP6ES	SPARK PLUG NGK
JLM567	SPARK PLUG
136104/1/2/3/4	CAP/ROTOR/POINTS/CON DART KIT
136104/2#	ROTOR ARM
136104/3#	CONDENSER
136104/4#	CONTACT POINTS
C28080*	FUEL FILTER ELEMENT
307963/05*	OIL FILTER ELEMENT

Engine Components

ENGINE1*	Plate 1 No 1 RECON.ENGINE EXCH. DART .
-ENGINE1*	CORE SURCHARGE NEED CUSTOMERS OWN UNIT FIRST . FULLY REBUILT & HARMONICALLY BALANCED. .
ENGINE2*	Plate 1 No 1 RECON.ENGINE EXCH. DART LATE
-ENGINE2*	CORE SURCHARGE NEED CUSTOMERS OWN UNIT FIRST . FULLY REBUILT & HARMONICALLY BALANCED. .
CPK1	Plate 1 No ENGINE CORE PLUG KIT
C26004*	Plate 1 No CORE PLUG 1&1/8"
C317*	Plate 1 No 2 CORE PLUG 1"
C21631*	Plate 1 No CORE PLUG REAR 7/8"
RTC1132K	Plate 1 No 4 CAMSHAFT BEARING
430366*	Plate 1 No 11 MAIN BRG.LOCKWASHER
C21037*	Plate 1 No 12 CYL.HEAD BOLT
C2296/7	Plate 1 No 14 COPPER WASHER
307476	Plate 1 No 15 TIM.CHAIN COVER USED DART
C22611*	Plate 1 No 16 TIMING COVER GASKET V8 & DART
EAC3629	Plate 1 No 17 HYD.CHAIN TENSIONER
EAC3629*	Plate 1 No 17 HYD.CHAIN TENSIONER
EAC3629#	Plate 1 No 17 HYD.CHAIN TENSIONER

IMPORTANT - Parts are genuine except - Product codes ending with : # = Original Equipment,Supplier * = Reproduction/Non-O.E.

DAIMLER DART A.B.C SPEC (SP250) Price List

PARTNO	DESCRIPTION	David Manners Ltd DAIMLER DART A.B.C SPEC (SP250)	Retail price	IncVat PRICE
431285/06*	Plate 1 No 30	ENGINE SUMP PLUG DART		
428015*	Plate 1 No 31	DRAIN PLUG WASHER DART		
308402*	Plate 1 No 32	SUMP CORK JOINT V8 & DART		
C22613SH	Plate 1 No 36	G/BOX SUPPORT PLATE DART MANUAL		
C26312/1E*	Plate 1 No 37	CYLINDER HEAD EXCH. V8 & DART		e
-C26312/1E*	SURCHARGE on above refunded if old unit can be reconditioned CYLINDER HEAD IS FITED WITH MODIFIED VALVE GUIDES TO TAKE A SEAL AND IF YOU FIT NEW S/S EXHAUST VALVES IT CAN RUN ON UNLEADED..			
CPK1	Plate 1 No	ENGINE CORE PLUG KIT		
C315	Plate 1 No 38	CORE PLUG 1&3/4"		
C315*	Plate 1 No 38	CORE PLUG 1&3/4"		
431000/1*	INLET VALVE GUIDE V8 & DART MODIFIED			
431251/1*	EXHAUST VALVE GUIDE V8 & DART MODIFIED THE STEM SEAL WHICH IS ALSO AVAILABLE SEPARATELY AS CKG848*. THE SEALS MUST BE FITTED ON BOTH VALVE GUIDES .			
CKG848*	VALVE GUIDE SEAL V8 & DART MODIFIED			
C32670*	Plate 1 No 39	EX.MANIFOLD STUD V8 & DART		
430742*	Plate 1 No	PLUG TUBE WASHER		
C22245#	Plate 1 No 41	CYLINDER HEAD GASKET V8 & DART		
C2296/7	Plate 1 No	COPPER WASHER MOST MODELS		
430429*	Plate 1 No 44	WATER PIPE GASKET V8 & DART		
307827*	Plate 1 No 46	TOP COVER GASKET		
432136	Plate 1 No 47	R/C KNURLED NUT USED		
431308*	Plate 1 No 48	PLUG LEAD CARRIER		
UCS525/10H*	Plate 1 No 50	LONG CARRIER SCREW V8/DART		
UCS525/7H*	Plate 1 No 51	SHORT CARRIER SCREW V8/DART		
430417*	Plate 1 No 53	BANJO BOLT LONG		
430415*	Plate 1 No 54	BANJO BOLT SHORT		
C2296/7	Plate 1 No 55	COPPER WASHER		
135891*	Plate 1 No 58	TAPPET CHEST GASKET		
C22412	Plate 1 No 61	INLET MANIFOLD ASSY		
307354*	Plate 1 No 65	EX.MANIFOLD GASKET		
431242/1*	Plate 2 No 73	CRANK RINGS PR .077"		
C19654*	Plate 2 No 73	REAR MAIN BRG SEAL late cars		
C22796*	Plate 2 No	CRANK SLUDGE PLUG		
EAC5541#	Plate 2 No	CON ROD NUT		
431030E*	Plate 2 No 66	CRANK & BRGS EXCH.		
-431030E*	SURCHARGE on above refunded if old unit can be reconditioned			
C21033E*	Plate 2 No 66	CRANK & BRGS EXCH.		
-C21033E*	SURCHARGE on above refunded if old unit can be reconditioned			
1216/14*	Plate 2 No 68	CRANK SPIGOT BUSH		
11228*	Plate 2 No 70	MAIN BRG SET STD		
307680/1*	Plate 2 No 72	T/WASHER STD PAIR		
307407E*	Plate 2 No 75	FLYWHEEL ASSY EXCH.		
-307407E*	SURCHARGE on above refunded if old unit can be reconditioned			
425901	Plate 2 No 80	CRANK OIL SHIELD (USED)		
136405	Plate 2 No 87	FAN BLADE ASSY secondhand Original.		
430994	Plate 2	FAN BLADE BUSH		
308642	Plate 2	FAN EXTENSION USED		
307332E*	Plate 2 No 88	CON ROD SET EXCH.		

IMPORTANT - Parts are genuine except - Product codes ending with : # = Original Equipment.Supplier * = Reproduction/Non-O.E.

DAIMLER DART A.B.C SPEC (SP250) Price List

PARTNO	DESCRIPTION	David Manners Ltd DAIMLER DART A.B.C SPEC (SP250)	Retail price	IncVat PRICE
-307332E*	SURCHARGE on above refunded if old unit can be reconditioned			
307332S/H	Plate 2 No 88	CON ROD USED		
307349#	Plate 2 No 89	SMALL END BUSH		
C32344	Plate 2 No 90	BIG END BOLT		
307715*	Plate 2 No 91	BIG END BEARING SET		
307715/30*	Plate 2 No 91	BIG END BRG SET +30		
307715/10*	Plate 2 No 91	BIG END BRG SET +10		
307715/20*	Plate 2 No 91	BIG END BRG SET +20		
307715/40#	Plate 2 No 91	BIG END BRG SET +40		
C23842/10*	Plate 2 No 92	PISTON ASSY +10		
C23842/20*	Plate 2 No 92	PISTON SET +20		
C23842/40*	Plate 2 No 92	PISTON SET +40		
C23842/60*	Plate 2 No 92	PISTON SET +60		
C23837*	Plate 2 No 93	PISTON RING SET STD		
C23837/20*	Plate 2 No 93	PISTON RING SET +20 V8 & DART		
C23837/40*	Plate 2 No 93	PISTON RING SET +40 V8 & DART		
C27413E*	Plate 2 No 98	CAMSHAFT RECON EXCH V8		
+C27413E*	SURCHARGE on above refunded if old unit can be reconditioned			
RTC1132K	Plate 2 No	CAMSHAFT BEARING KIT V8 & DART		
307363*	Plate 2 No 105	TIMING CHAIN		
430388*	Plate 2 No 106	CAM FOLLOWER/TAPPET		
430388SH	Plate 2 No 106	CAM FOLLOWER/TAPPET		
	430388SH !!!!! BOUGHT AT CUSTOMERS OWN RISK !!!!!			
430563	Plate 2 No 107	TAPPET BALL END V8 & DART		
430756	Plate 2 No 109	PUSH ROD EXHST.USED		
307358*	Plate 2 No 110	INLET VALVE		
C26665*	Plate 2 No 111	EXHAUST VALVE		
	Exhaust Valves are Stainless Steel for Unlead Fuel .			
430452	Plate 2 No 113	V/SPRING TOP COLLAR		
C21688*	Plate 2 No 115	VALVE SPRING OUTER		
C21687*	Plate 2 No 114	VALVE SPRING INNER		
431000/1*	Plate 2 No 117	INLET VALVE GUIDE		
	Modifield Valve guide to take a new seal .			
431251/1*	Plate 2 No 118	EXHAUST VALVE GUIDE		
	Modifield Valve guide to take a new seal .			
CKG848*	VALVE GUIDE SEAL	V8 & DART MODIFIED		
	CKG848*. The Seals must fitted on both Valve guides.			
430381	Plate 2 No 123	RING DOWEL		
307352	Plate 2 No 125	ROCKER INLET USED		
307353	Plate 2 No 126	ROCKER EXHAUST USED		
431011*	Plate 2 No 129	ROCKER ADJUSTER		
57110*	Plate 2 No 130	TAPPET ADJ.LOCKNUT		
308080*	TEMP TRANSMITTER			
HK017	Plate 3 No	WATER HOSE KIT		
307845E*	Plate 3 No 131	WATER PUMP Exchange		
-307845E*	SURCHARGE on above refunded if old unit can be reconditioned			
ADU6170*	Plate 3 No 136	WATER PUMP SEAL		
C8256	Plate 3 No 137	WATER PUMP THROWER		
431172	Plate 3 No 140	WATER PUMP GASKET		
430429*	Plate 3 No 141	WATER PIPE JOINT		
430429*	Plate 3 No 143	WATER PIPE JOINT		
C27650	Plate 3 No 144	THERMOSTAT 74C		
C27650*	Plate 3 No 143	THERMOSTAT 74C		

IMPORTANT - Parts are genuine except - Product codes ending with : # = Original Equipment.Supplier * = Reproduction/Non-O.E.

DAIMLER DART A.B.C SPEC (SP250) Price List

PARTNO	DESCRIPTION	David Manners Ltd DAIMLER DART A.B.C SPEC (SP250)	Retail price	IncVat PRICE
C3731S	Plate 3 No 143	THERMOSTAT WAXSTAT		
307548*	Plate 3 No 145	THERMOSTAT HOUSING		
C21170#	Plate 3 No 149	HEATER T HOSE		
C21170#	Plate 3 No 153	HEATER T HOSE		
HTP5SS	Plate 3 No 151	HEATER PIPE KIT		
308074*	Plate 3 No 147	WATER PIPE S/STEEL		
308073*	Plate 3 No 151	WATER PIPE S/STEEL		
432240*WOV	Plate 3 No 152	WATER PIPE HOSE		
431493*	Plate 3 No 155	WATER PIPE S/STEEL		
C22490E*	Plate 4 No 157	OIL PUMP RECON EXCH		
-C22490E*	SURCHARGE on above refunded if old unit can be reconditioned			
430374*	Plate 4 No 160	OIL PUMP GASKET		
C20972/1*	Plate 4 No 164	OIL PUMP GEARS PAIR		
430363*	Plate 4 No 170	OIL PUMP SPIRAL GEAR		
401831*	Plate 4 No 170	O/PUMP SHAFT WASHER		
C22756*	Plate 4 No 172	OIL RELIEF VALVE		
431498*	Plate 4 No 173	RELIEF VALVE SPRING		
431949*	Plate 4 No 175	OIL PUMP LOCKWASHER		
431360*	Plate 4 No 186	OIL FILTER HD.UNION		
307963/04	Plate 4 No 181	OIL FILTER BOWL USED		
OFCK4	Plate 4 No	OIL FILTER CONV KIT DART		
OFCK4/1		OIL FILTER FOR OFCK4 DART		
307963/05*	Plate 4 No 182	OIL FILTER ELEMENT		
430427*	Plate 4 No 185	OIL FILTER GASKET		
307662*	Plate 4 No 176	AIR FILTER ASSY DART		

Engine Electrics

133544E*	Plate 5 No 208	STARTER MOTOR RECON.		
+133544E*		CORE UNIT		
133544HT	Plate 5 No 208	HIGH TORQUE STARTER		
136183E*	Plate 5 No 191	DYNAMO ASSY EXCH.		
-136183E*	SURCHARGE on above refunded if old unit can be reconditioned			
136183C	Plate 5 No	DYNAMO COVER SHIELD DART		
2755*	Plate 5 No	DISTRIBUTOR BEARING		
307670E*	Plate 5 No	DISTRIBUTOR EXCH.		
-307670E*	SURCHARGE on above refunded if old unit can be reconditioned			
9712*	Plate 5 No	ADV/RETARD SPRINGS		
307924*	Plate 5 No	FAN BELT		
CD3053	Plate 5 No	DISTRIBUTOR BUSH		
136104/2#	Plate 5 No 217	ROTOR ARM		
136104/3#	Plate 5 No 216	CONDENSER		
136104/4#	Plate 5 No 219	CONTACT POINTS		
136104/5#	Plate 5 No 220	VACUUM UNIT		
C8749*	Plate 5 No 237	IGNITION COIL		
DLB105	Plate 5 No 237	LUCAS SPORTS COIL		
PMA50	IGNITION SYSTEM			
IGNKIT07	DISTRIBUTOR FIT/KIT			
C11906*	Plate 5 No 243	DISTRIBUTOR CAP NUT		
N5	Plate 5 No 238	SPARK PLUG		
BP6ES	Plate 5 No 238	SPARK PLUG NGK		
WCX600	SPARK PLUG CAP BLACK			
WCX600*	SPARK PLUG CAP BLACK			
432665*	SPARK PLUG EXTENSION LATE CARS			

IMPORTANT - Parts are genuine except - Product codes ending with : # = Original Equipment.Supplier * = Reproduction/Non-O.E.

DAIMLER DART A.B.C SPEC (SP250) Price List

PARTNO	DESCRIPTION	David Manners Ltd DAIMLER DART A.B.C SPEC (SP250)	Retail price	IncVat PRICE
	Plate 5 No 240	PLUG LEADS SET LATE-TYPE		
Fuel System				
FPKDART	CARB. FUEL LINE KIT DART			
C2368#	CARB.FLANGE GASKET			
C25207/1	RH CARBURETTER			
AUD1359#	CARB.NEEDLE TS			
AUC8155J#	CARB.MAIN JET .100" HD6			
CSK37	CARB.SERVICE KIT HD6 CARBURETTER			
CRK217	CARB.REPAIR KIT HD6 CARBURETTER			
AUC2006#	JET DIAPHRAGM SPRING			
WZX1303#	CARBURETTER FLOAT			
WZX1303*	CARBURETTER FLOAT			
JLM9733	NEEDLE & SEAT KIT			
JLM9733#	NEEDLE & SEAT KIT			
AUC1147#	FLOAT CHAMBER GASKET			
431286	ACCL CROSS SHAFT DART			
307930	ACCL.PEDAL MAN.USED DART			
307759/13*	CHOKE/AIR CONT.CABLE DART			

Clutch Components

308048#	CLUTCH MASTER CYL.			
308048*	CLUTCH MASTER CYL			
308260/07#	MASTER CYL REP KIT			
307414	C/SLAVE CYL MTG BKT			
427000*	PEDAL RUBBER			
413046*	PEDAL RETURN SPRING			
308048/01#	RESERVOIR FILLER CAP			
305169#	CLUTCH & R/BRK.HOSE			
307977*	CLUTCH CROSS SHAFT			
430459*	CROSS SHAFT BOLT			
HKCOVER1	CLUTCH COVER	speak to simon at david manners about this cover ...		
HA3359	CLUTCH COVER ASSY			
-HA3359		SURCHARGE on above refunded if old unit can be reconditioned		
HB9713	CLUTCH PLATE			
HD3306	CLUTCH RELEASE BRG			
307497*	GEARBOX MOUNTING			

Clutch and Gearbox

DL36833E	Plate 10 No 1	GEARBOX RECOND.		
+DL36833E		SURCHARGE on above refunded if old unit can be reconditioned		
307978	Plate 10 No 9	FRONT END COVER USED		
59537	Plate 10 No 10	G/BOX FRT COVER GSKT		
141756	Plate 10 No 13	FRONT G/BOX OIL SEAL		
55774	Plate 10 No 14	C/SHAFT PLATE GASKET		
307414	Plate 10 No 18	C/SLAVE CYL MTG BKT		
135915	Plate 10 No 19	GEARBOX REAR CASING		
431696*	Plate 10 No 23	REAR G/BOX OIL SEAL		
136112	Plate 10 No 24	G/BOX TOP COVER USED		
105758	Plate 10 No 25	GEARBOX TOP GASKET		
307433	Plate 10 No 50	1ST/2ND SL.FORK USED		
307434	Plate 10 No 51	3RD/4TH SL.FORK USED		

IMPORTANT - Parts are genuine except - Product codes ending with : # = Original Equipment.Supplier * = Reproduction/Non-O.E.

DAIMLER DART A.B.C SPEC (SP250) Price List

PARTNO	DESCRIPTION	David Manners Ltd DAIMLER DART A.B.C SPEC (SP250)	Retail price	IncVat PRICE
307435	Plate 10 No 52	REV SEL.FORK USED		
432043*	Plate 10 No 55	GEAR LEVER KNOB		
430478	Plate 10 No 60	RETAINING PLATE USED		
307432	Plate 10 No 61	COVER PLATE USED		
307428	Plate 10 No 66	G/BOX DIPSTICK USED		
431693*	Plate 11 No 69	MAIN G/BOX BEARING		
C22299	Plate 11 No 74	GEARBOX MAINSHAFT		
430497	Plate 11 No 75	MAINSHAFT BRG WASHER		
431693*	Plate 11 No 76	MAIN G/BOX BEARING		
42315/06*	Plate 11 No 81	M/SHAFT REAR BEARING		
299732	Plate 11 No 82	GEARBOX FLANGE USED		
308143	Plate 11 No 85	3/4 SYNCHRO SLEEVE		
BLS108	Plate 11 No 86	SYNCHRO BALL		
430504*	Plate 11 No 87	SYNCHRO SPRING		
430499*	Plate 11 No 87	SYNCHRO SHIM		
308144	Plate 11 No 89	OUTER SYNCRO SLEEVE		
309186*	Plate 11 No 90	SYNCHRONISING CUP		
309185SH	Plate 11 No 91	3RD GEAR S/H MAINSHAFT		
307431#				
307431#	3RD GEAR BUSH	DART		
309184*	Plate 11 No 95	2ND GEAR MAINSHAFT		
	EQUIVALENT/TR			
	WHEN 309184* USING THIS GEAR TO REPLACE THE ORIGINAL TYPE, YOU MUST ALSO USE UKC956 BUSH & UKC960 SHIM WHICH MUST BE MACHINED TO REQUIRED SIZE			
307429*	Plate 11 No 96	2ND GEAR BUSH	DART	
C22298*	Plate 11 No 97	2ND GEAR LOC.WASHER		
309186*	Plate 11 No 98	SYNCHRONISING CUP	DART	
308139SH	Plate 11 No 99	B-1ST. GEAR	DART	
509650*	Plate 11 No 105	1ST GEAR(MAINSHAFT)	DART	
	509650 WILL ONLY WORK PROPERLY IF IT IS FITTED WITH 111153* REVERSE GEAR AND 105625 COUNTER SHAFT GEAR AND 113431 SYNCHRO.IF FITTED ON IT'S OWN GEARBOX WILL LOCK UP & BREAK FIRST GEAR.			
108168	Plate 11 No 106	COUNTERSHAFT	DART	
58088	Plate 11 No 107	G/BOX NEEDLE ROLLER	DART	
430488	Plate 11 No 109	THRUST WASHER .062"	DART	
430492	Plate 11 No 109	THRUST WASHER .082"	DART	
430464	Plate 11 No 112	3RD.GEAR DIST.WASHER	DART	
308148	Plate 11 No 113	3RD GEAR COUNTERSHFT	DART	
308147	Plate 11 No 114	2ND GEAR COUNTERSHFT	DART	
307422	Plate 11 No 116	REVERSE SPINDLE USED	DART	
111153*	Plate 11 No 119	REVERSE GEAR TR	DART/TR	
307437	Plate 11 No 121	REV.FORK SHAFT USED	DART	
431411	Plate 11 No 00	SPEEDO PIN.HSG USED	DART	
120694	Plate 11 No 00	ANGLE DRIVE	DART	
	120694	is not an original part for darts, but people do fit them .		

Propshaft and Rear Axle

1ST CONDITION AXLE...

IMPORTANT - Parts are genuine except - Product codes ending with : # = Original Equipment.Supplier * = Reproduction/Non-O.E.

DAIMLER DART A.B.C SPEC (SP250) Price List

PARTNO	DESCRIPTION	David Manners Ltd DAIMLER DART A.B.C SPEC (SP250)	Retail price	IncVat PRICE
26223/02*	Plate 19 No 5	C/ W & PINION 1ST CONDITION		
9190*	Plate 19 No 11	DIFF PINION OIL SEAL DART		
26223/07*	Plate 19 No 13	PIN.ROLLER BEARING DART		
3844#	Plate 19 No 15	INNER PINION BEARING		
3861	Plate 19 No 16	DIFF PIN.SHIM .005"		
4132*	Plate 19 No 17	DIFF.PLANETARY GEAR DART		
3912	Plate 19 No 19	SIDE GEAR T/WASHER DART		
4133	Plate 19 No 20	PINION MATE GEAR DART		
7993K	Plate 19 No 32	2ND REAR WHEEL BRG.KIT		
4145*	Plate 19 No 33	2ND REAR AXLE SHIM .003"		
4146*	Plate 19 No 33	2ND REAR AXLE SHIM .005"		
4148*	Plate 19 No 33	2ND REAR AXLE SHIM .030"		
4147*	Plate 19 No 33	2ND REAR AXLE SHIM .010"		
307996SH	Plate 19 No 41	REAR HUB S/HAND		
C13365	Plate 19 No 42	ROAD WHEEL STUD		
C13365*	Plate 19 No 42	ROAD WHEEL STUD		
C3041*	Plate 19 No 43	ROAD WHEEL NUT		
308124*	Plate 19 No 44	REAR BRAKE DISC		
136203E*	Plate 19 No 46	REAR CALIPER RH EXCH DART		
+136203E*		SURCHARGE on above refunded if old unit can be reconditioned		
136204E*	Plate 19 No 46	REAR CALIPER LH EXCH DART		
+136204E*		SURCHARGE on above refunded if old unit can be reconditioned		
2nd CONDITION AXLE PARTS				
9189*		CROWN WHEEL & PINION 2ND CONDITION DART		
9199#		DIFF CASE BEARING DART		
9192*		INNER PINION BEARING DART		
9194		PINION SHIM .005" DART		
9191*		PIN.ROLLER BEARING DART		
9190*		DIFF PINION OIL SEAL DART		
Suspension Front				
136221E*	Plate 20 No 1	RH VERT.LINK EXCH		
-136221E*		SURCHARGE on above refunded if old unit can be reconditioned		
		VERT LINKS SURCHARGE WILL ONLY BE REFUNDED WHEN OLD UNIT HAS INSPECTED AND PASSED ..IF BENT OR CRACKED NO REFUND ON SURCHARGE.		
136222E*	Plate 20 No 1	LH VERT.LINK EXCH DART		
+136221E*		SURCHARGE on above refunded if old unit can be reconditioned		
		VERT LINKS SURCHARGE WILL ONLY BE REFUNDED WHEN OLD UNIT HAS INSPECTED AND PASSED ..IF BENT OR CRACKED NO REFUND ON SURCHARGE.		
307531	Plate 20 No 2	RH STG ARM USED		
307532	Plate 20 No 2	LH STG ARM USED		
308004*	Plate 20 No 6	STUB AXLE		
C13365	Plate 20 No 10	ROAD WHEEL STUD		
C13365*	Plate 20 No 10	ROAD WHEEL STUD		
C13365#	Plate 20 No 10	ROAD WHEEL STUD		
431566*	Plate 20 No 11	FRONT HUB OIL SEAL		
431566/2*	Plate 20 No	VERTICAL LINK SHIELD		
431570/1	Plate 20 No 12	F/WHEEL BEARING KIT		
431570#	Plate 20 No 12	INNER WHEEL BEARING		
C15352	Plate 20 No 13	OUTER WHEEL BEARING		
C15352#	Plate 20 No 13	OUTER WHEEL BEARING		

IMPORTANT - Parts are genuine except - Product codes ending with : # = Original Equipment.Supplier * = Reproduction/Non-O.E.

DAIMLER DART A.B.C SPEC (SP250) Price List

PARTNO	DESCRIPTION	David Manners Ltd DAIMLER DART A.B.C SPEC (SP250)	Retail price	IncVat PRICE
C3400*	Plate 20 No 14	FRT BEARING D WASHER		
ND607041	Plate 20 No 15	CASTELLATED NUT		
NL609041J	Plate 20 No 15	SLOTTED NUT 9/16UNF		
CBC6766	Plate 20 No 16	FRONT HUB GREASE CAP		
136252*	Plate 20 No 17	FRONT BRAKE DISC		
431386*		BRAKE DISC BOLT		
FG106X		SPRING WASHER 3/8"		
308172		DISC SHIELD R/H USED		
308173		DISC SHIELD L/H USED		
136158E*		RHF CALIPER EXCH.		
+136158E*		SURCHARGE on above refunded if old unit can be reconditioned		
136157E*		LHF CALIPER EXCH.		
+136157E*		SURCHARGE on above refunded if old unit can be reconditioned		
431559*		CALIPER BOLT		
431558*		TAB WASHER		
308179	Plate 20 No 20	TOP ARM USED RHF/LHR		
200772	Plate 20 No 23	TOP BALL JOINT		
200659	Plate 20 No 30	TOP W/BONE FULCRUM		
102228	Plate 20 No 31	FRONT INNER W/B BUSH		
TT3062	Plate 20 No 31	FRONT INNER W/B BUSH POLY		
NL607041	Plate 20 No 32	TRUNNION LOCKNUT		
431574	Plate 20 No 33	PLAIN WASHER		
101557	Plate 20 No 34	LOWER TRUNNION ASSY		
101557K	Plate 20 No 34	TRUNNION FITTING KIT		
142402	Plate 20 No 35	SEAL VERTICAL POST		
56934	Plate 20 No 36	TRUNNION G/NIPPLE		
C3041*	Plate 20 No 43	ROAD WHEEL NUT		
431416E	Plate 20 No 44	display LWR W/BONE ARM EXCH. DART		
-431416E		SURCHARGE on above refunded if old unit can be reconditioned		
431415E	Plate 20 No 45	LWR W/BONE ARM EXCH. DART		
-431415E		SURCHARGE on above refunded if old unit can be reconditioned		
431588*	Plate 20 No 46	TRUNNION BUSH		
141481	Plate 20 No 47	INNER WISHBONE BUSH		
141481P	Plate 20 No 47	POLY INNER WISH.BUSH		
56934	Plate 20 No 48	TRUNNION G/NIPPLE		
101533	Plate 20 No 49	THRUST WASHER		
115701	Plate 20 No 50	TRUNNION LOCKWASHER		
115702	Plate 20 No 51	TRUNNION GREASE SEAL		
ND607041	Plate 20 No 52	CASTELLATED NUT		
308008	Plate 20 No 53	LWR W/BONE BRKT USED		
308065/05*	Plate 20 No 60	FRONT ROAD SPRING		
100751	Plate 20 No 61	FRONT SPRING SEAT		
100751P	Plate 20 No 61	FRONT SPRING SEAT POLY		
106845	Plate 20 No 67	BUMP STOP LONG		
NY606041J	Plate 20 No 68	NYLOC NUT 3/8" UNF		
307445/11*	Plate 20 No 69	FRONT SHOCK ABS.STD		
106841*	Plate 20 No 75	SHOCK MOUNT & TUBE		
106843*	Plate 20 No 76	LOWER SHOCK BRACKET		
101229	Plate 20 No 78	FRONT SHOCK LOCK TAB		
430726*	Plate 20 No 79	REBOUND BRACKET DART		
NY606041J	Plate 20 No 79	NYLOC NUT 3/8" UNF		

IMPORTANT - Parts are genuine except - Product codes ending with : # = Original Equipment.Supplier * = Reproduction/Non-O.E.

DAIMLER DART A.B.C SPEC (SP250) Price List

PARTNO	DESCRIPTION	David Manners Ltd DAIMLER DART A.B.C SPEC (SP250)	Retail price	IncVat PRICE
Braking System				
C27186*	MASTER CYLINDER (the pushrod may need to be changed from the original cylinder)			
C27186	MASTER CYLINDER (the pushrod may need to be changed from the original cylinder)			
C27186#	MASTER CYLINDER (the pushrod may need to be changed from the original cylinder)			
308260/07#	MASTER CYL REP KIT DART (the pushrod may need to be changed from the original cylinder)			
308048/01#	RESERVOIR FILLER CAP MOST MODELS			
308260/07#	MASTER CYL REP KIT DART			
431723*	BRAKE LIGHT SWITCH DART			
GB5525	COPPER BRAKE PIPES DART WITHOUT SERVO RHD			
GB5526	COPPER BRAKE PIPES DART WITH SERVO			
GB5526K	KUNIFER BRAKE PIPES DART WITH SERVO			
GB5525K	KUNIFER BRAKE PIPES DART WITHOUT SERVO			
GL5525	COPPER BRAKE PIPES DART LESS SERVO LHD			
GL5526	COPPER BRAKE PIPES DART WITH SERVO LHD			
GL5526K	KUNIFER BRAKE PIPES DART WITH SERVO LHD			
GL5525K	KUNIFER BRAKE PIPES DART LESS SERVO LHD			
308007/01*	HANDBRAKE CABLE			
427000*	PEDAL RUBBER			
413046*	PEDAL RETURN SPRING			
308260/01*	BRAKE RESERVOIR			
C30752/2#	BRAKE HOSE			
C30752/2*B	S/STEEL BRAID HOSE XJ SER 1 & 2/ DART			
305169#	FRT BRAKE HOSE			
305169*B	S/STEEL BRAID FRT HOSE DART			
C13685*	3 WAY BRAKE UNION			
136157E*	LHF CALIPER EXCH.			
-136157E*	SURCHARGE on above refunded if old unit can be reconditioned			
136158E*	RHF CALIPER EXCH. DART			
-136158E*	SURCHARGE on above refunded if old unit can be reconditioned			
136203E*	REAR CALIPER RH EXCH DART			
-136203E*	SURCHARGE on above refunded if old unit can be reconditioned			
136204E*	REAR CALIPERS DO NOT COME WITH HAND BRAKE ASSEMBLIES REAR CALIPER LH EXCH DART			
-136204E*	SURCHARGE on above refunded if old unit can be reconditioned			
136157/05#	REAR CALIPERS DO NOT COME WITH HAND BRAKE ASSEMBLIES FRT CALIPER SEAL KIT DART			
136157/05*	FRT CALIPER SEAL KIT DART			
LE72696	BRAKE SERVO UNIT			
LE72696*	BRAKE SERVO UNIT			
10130*	FRONT BRAKE PAD SET			
10130GS	GREENSTUFF PAD SET			
136252*	FRONT BRAKE DISC			
308124*	REAR BRAKE DISC			
10131/1*MIN	REAR BRAKE PADS			
10131GS	REAR GREENSTUFF PAD SET			

IMPORTANT - Parts are genuine except - Product codes ending with : # = Original Equipment.Supplier * = Reproduction/Non-O.E.

DAIMLER DART A.B.C SPEC (SP250) Price List

PARTNO	DESCRIPTION	David Manners Ltd DAIMLER DART A.B.C SPEC (SP250)	Retail price	IncVat PRICE
JLM1540	B/PAD PIN & CLIP SET			
JLM1540#	B/PAD PIN & CLIP SET			
601959*	BRAKE BLEED SCREW			
601959*	BRAKE BLEED SCREW			
136203/13E*	H/BRAKE PAD SET EXCH DART			
-136203/13E*	SURCHARGE on above refunded if old unit can be reconditioned			
136203/07*	H/BRAKE CALIPER PIN DART			

Steering and Controls

136058E*	Plate 23 No 1 LHD FIX.S/COL.EXCH DART LHD			
-136058E*	SURCHARGE on above refunded if old unit can be reconditioned			
	NEED CUSTOMERS OWN UNIT FIRST .			
136185E*	Plate 23 No 1 RHD ADJ.S/COL.EXCH DART RHD			
-136185E*	SURCHARGE on above refunded if old unit can be reconditioned			
	NEED CUSTOMERS OWN UNIT FIRST.			
136057E*	Plate 23 No 1 RHD FIX.S/COL.EXCH DART RHD			
+136057E*	SURCHARGE on above refunded if old unit can be reconditioned			
136227/03*	Plate 23 No STATOR TUBE LOOM DART			
501562*	Plate 23 No 11 STEERING BOX BUSH DART			
60586	Plate 23 No 11 INNER STG COL SEAL DART			
2866	Plate 23 No IND.SWITCH BASE DART			
136058K	Plate 23 No STG.COL.REBUILD KIT DART LHD			
501563	Plate 23 No 11 STG DROP ARM SEAL DART			
43314	Plate 23 No 12 TOP STG.COL.BUSH DART			
14A7031	Plate 23 No 13 STG COLUMN OIL PLUG			
508191X	Plate 23 No 14 STEERING COLUMN WORM DART RHD			
508189X	Plate 23 No 14 STEERING COLUMN WORM DART LHD			
60586	Plate 23 No 15 INNER STG COL SEAL DART			
60371	Plate 23 No 16 STG COL.INNER RACE DART			
60373	Plate 23 No 17 STG COL.OUTER RACE DART			
60370	Plate 23 No 18 END PLATE GASKET DART			
60367	Plate 23 No 20 END PLATE SHIM .0024 DART			
60368	Plate 23 No 20 END PLATE SHIM .005" DART			
60369	Plate 23 No 20 END PLATE SHIM .010" DART			
501575	Plate 23 No 23 STATOR TUBE OLIVE			
103611	Plate 23 No 24 NUT BTM OF COLUMN			
136058/06*	Plate 23 No 25 STG BOX ROCKER SHAFT			
501571	Plate 23 No 31 COVER PLATE GASKET			
307775	Plate 23 No 34 STG DROP ARM USED			
431153E*	Plate 23 No 38 STEERING IDLER EXCH			
-431153E*	SURCHARGE on above refunded if old unit can be reconditioned			
58615	Plate 23 No 40 IDLER LEVER SEAL			
307782E*	Plate 23 No 41 CENTRE TIE BAR EXCH DART			
-307782E*	SURCHARGE on above refunded if old unit can be reconditioned			
431400*	Plate 23 No 43 SILENT BLOCK BUSH			
431600	Plate 23 No 57 TIE ROD BAR USED			
101669	Plate 23 No 58 T.R.E LOCK NUT LHT			
101668	Plate 23 No 59 T.R.E.LOCK NUT RHT			
110466/8	Plate 23 No 60 TRACK ROD END (PAIR) DART			
EAW2270J	Plate 23 No 62 TIE ROD END GAITER MOST MODELS			

Cooling System

135931E*	Plate 24 No 1 RADIATOR EXCH DART			
----------	----------------------------------	--	--	--

IMPORTANT - Parts are genuine except - Product codes ending with : # = Original Equipment.Supplier * = Reproduction/Non-O.E.

DAIMLER DART A.B.C SPEC (SP250) Price List

PARTNO	DESCRIPTION	David Manners Ltd DAIMLER DART A.B.C SPEC (SP250)	Retail price	IncVat PRICE
-135931E*	SURCHARGE on above refunded if old unit can be reconditioned			
	OVERSIZE RAD, BETTER FOR COOLING			
C4439/1*	Plate 24 No 2	RADIATOR DRAIN TAP		
307980*	Plate 24 No 4	RADIATOR HEADER TANK		
C41374*WOV	Plate 24 No 5	TOP HOSE		
C41374*WOV	Plate 24 No 6	TOP HOSE		
308272#	Plate 24 No 9	RADIATOR CAP 7LB		
HK017	Plate 24 No	WATER HOSE KIT		
136274*	Plate 24 No	FAN COWL		
431611*		HEATER CONTROL CABLE DART		
431495*WOV		ELBOW HOSE DART		
307983*WOV		BOTTOM HOSE DART		
422255*WOV		HEATER ELBOW HOSE DART		

Exhaust Fittings

136169*	Plate 25 No 1	RH EXHAUST DOWN PIPE		
136170*	Plate 25 No 2	LH EXHAUST DOWN PIPE		
422468*	Plate 25 No 3	EXHAUST FLANGE JOINT		
GEG701	Plate 25 No 3	EXHAUST FLANGE JOINT Better version		
308053*	Plate 25 No 8	BALANCE PIPE ASSY manual		
308064*	Plate 25 No 9	SILENCER ASSY		
431346*	Plate 25 No 10	EXHAUST CLIP FRONT		
431347*	Plate 25 No 11	EXHAUST CLIP REAR		
431339*	Plate 25 No 13	EXHAUST MOUNTING		
307884*	Plate 25 No 15	EX.SUPPORT PLATE DART		
136174*	Plate 25 No 19	RH EXHAUST TAIL PIPE		
136175*	Plate 25 No 20	LH EXHAUST TAIL PIPE		
MEX042	Plate 25 No	ALUMINISED EXH SYS DART MANUAL		
EFK10	Plate 25 No	SUNDRY EX.FITTINGS		
EFK10/1	Plate 25 No	BASIC EX.FITTING KIT		

Falcon Stainless Steel Exhaust

LEX001	Plate 25 No	LANGFORD SYSTEM S/S DART MANUAL		
LEX001/1	Plate 25 No	LANGFORD SYSTEM S/S DART AUTOMATIC		

Exhaust Fittings

EFK10	Plate 25 No	SUNDRY EX.FITTINGS		
EFK10/1	Plate 25 No	BASIC EX.FITTING KIT		
308283*	Plate 25 No	STAINLESS FINISHER DART		

Fuel System

571086		LOCKING PETROL CAP DART		
419522*		PETROL TANK GROMMET DART		
AZX1308		FUEL PUMP NEG EARTH MOST		
AZX1308#		FUEL PUMP NEG EARTH MOST		
AUA152#		FUEL PUMP(ORIGINAL)		
EPK300		FUEL PUMP REPAIR KIT NEGATIVE EARTH PUMP		
C26310		FILTER SEALING RING		
C28080*		FUEL FILTER ELEMENT GLASS BOWL TYPE		

Chassis System

307773	Plate 27 No 2	STG COL CLAMP USED		
307598*	Plate 27 No 4	ENGINE MTG BRACKET		

IMPORTANT - Parts are genuine except - Product codes ending with : # = Original Equipment.Supplier * = Reproduction/Non-O.E.

DAIMLER DART A.B.C SPEC (SP250) Price List

PARTNO	DESCRIPTION	David Manners Ltd DAIMLER DART A.B.C SPEC (SP250)	Retail price	IncVat PRICE
307129*	Plate 27 No 5	ENGINE MOUNTING		
307578*	Plate 27 No 6	FRONT REBOUND BRKT.		
106845	Plate 27 No 7	BUMP STOP LONG		
308126*	Plate 27 No 9	LH MUD SHIELD		
307497*	Plate 27 No 11	GEARBOX MOUNTING		
308968*	Plate 27 No 12	REAR AXLE C/STRAP		
430521/05*	Plate 27 No 14	REAR ROAD SPRING		
430532*	Plate 27 No 15	REAR SPRING EYE BUSH		
431323	Plate 27 No 16	BOTTOM PLATE LH USED		
BH608321*	Plate 27 No 21	REAR SPRING BOLT		
431320*	Plate 27 No 17	REAR SPRING U BOLT DART		
430701*	Plate 27 No 20	REAR SHACKLE BUSH DART		
307641/01E*	Plate 27 No 22	RHR SHOCK ABS.EXCH. DART		
-307641/01E*		SURCHARGE on above refunded if old unit can be reconditioned		
307642/01E*	Plate 27 No 22	LHR SHOCK ABS.EXCH. DART		
-307642/01E*		SURCHARGE on above refunded if old unit can be reconditioned		
307641/01E*UR	Plate 27 No 22	RHR UPRATED 10% SHOCK		
+307641/01E*UR		SURCHARGE on above refunded if old unit can be reconditioned		
307642/01E*UR	Plate 27 No 22	LHR UPRATED 10% SHOCK		
+307642/01E*UR		SURCHARGE on above refunded if old unit can be reconditioned		
307641/02*	Plate 27 No 23	SHOCK ABSORBER LINK DART		
Body Fittings				
136256E*		FRONT BUMPER EXCH. DART		
-136256E*		SURCHARGE on above refunded if old unit can be reconditioned		
136262*		FRONT BUMPER BRKT RH DART		
136263*		FRONT BUMPER BRKT LH DART		
136320E*		REAR BUMPER EXCH. DART		
-136320E*		SURCHARGE on above refunded if old unit can be reconditioned		
209*		OVERIDER BEADING ALL MODELS		
26266K		BODY MOUNTING KIT		
26266/01*		RH B POST		
26266/02*		LH B POST		
26266/03*		RH CHASSIS SILL		
26266/04*		LH CHASSIS SILL		
26266/06*		OUTRIGGER FRT A SPEC		
26266/07*		OUTRIGGER LHR A SPEC		
26266/08*		OUTRIGGER RHR A SPEC		
26266/10*		OUTRIGGER FRT B SPEC		
26266/11*		CROSSTUBE KIT		
26266/12*		OUTRIGGER LHR B SPEC		
26266/13*		OUTRIGGER RHR B SPEC		
26266/14*		RH T HINGE PLATE		
26266/15*		RH B HINGE PLATE		
26266/17*		LH B HINGE PLATE		
308268		BUMPER BRKT USED		
308343E*		RHF OVERIDER EXCH.		
-308343E*		SURCHARGE on above refunded if old unit can be reconditioned		
308344E*		LHF OVERIDER EXCH.		

IMPORTANT - Parts are genuine except - Product codes ending with : # = Original Equipment.Supplier * = Reproduction/Non-O.E.

DAIMLER DART A.B.C SPEC (SP250) Price List

PARTNO	DESCRIPTION	David Manners Ltd DAIMLER DART A.B.C SPEC (SP250)	Retail price	IncVat PRICE
-308344E*	SURCHARGE on above refunded if old unit can be reconditioned			
431912/1*	GRILLE SURR.RUBBER			
53/637073*	FRONT DAIMLER MOTIF			
53021*	LH DOOR ASSY			
53021/1*	DOOR TOP CHROME			
53021/4*	DOOR TOP PLATE SCREW			
53021/2*	LH LOCK COVER			
53021/3*	RH LOCK COVER			
81/632598*	BOOT LID RUBBER DART			
81/669079*	Plate 28 No 6	INNER FRONT WING LH		
81/692973*	Plate 28 No	REAR WING LH		
81/692974*	Plate 28 No	REAR WING RH		
92/659145*	Plate 28 No	BOOT LID BUFFER		
53021*	Plate 28 No 24	LH DOOR ASSY DART		
26222/01E*	Plate 28 No 28	GRILLE SURROUND DART		
+26222/01E*	SURCHARGE on above refunded if old unit can be reconditioned			
431912/1*	Plate 28 No	GRILLE SURR.RUBBER DART		
26222/02*	Plate 28 No 29	GRILLE MESH S/STEEL DART		
26222/04*	Plate 28 No 30	GRILLE "V" MOTIF DART		
308159*	Plate 28 No 32	FRT NO.PLATE A SPEC DART		
53/637073*	Plate 28 No	FRONT DAIMLER MOTIF DART		
136256E*	Plate 28 No	FRONT BUMPER EXCH. DART		
+136256E*	SURCHARGE on above refunded if old unit can be reconditioned			
308343E*	Plate 28 No	RHF OVERIDER EXCH. DART		
+308343E*	SURCHARGE on above refunded if old unit can be reconditioned			
308344E*	Plate 28 No	LHF OVERIDER EXCH.		
+308344E*	SURCHARGE on above refunded if old unit can be reconditioned			
700913	Plate 28 No 33	REAR OVERIDER A SPEC DART A SPEC		
136320E*	Plate 28 No	REAR BUMPER EXCH.		
+136320E*	SURCHARGE on above refunded if old unit can be reconditioned			
308345E	Plate 28 No	RHR OVERIDER DART		
308346E	Plate 28 No	LHR OVERIDER DART		
209*	Plate 28 No	OVERIDER BEADING		
431491*	Plate 28 No	BUMPER BOLT & NUT		
308204*	Plate 28 No 50	BONNET RELEASE CABLE		
81/659094*	Plate 28 No 53	BONNET RUBBER BUFFER		
81/641105E*	Plate 28 No 54	PLENUM C/GRILLE EXCH		
-81/641105E*	SURCHARGE on above refunded if old unit can be reconditioned			
75/637467*	Plate 28 No 57	GEARBOX TUNNEL PLUG		
81/637213*	Plate 28 No 58	FLOOR GROMMET		
80465*	TURNBUTTON FASTENER			
80466*	TURNBUTTON EYELET			
80467*	WASHER FOR EYELET			
80468*	TENAX HOOD PIN			
80470*	BUTTON FOR DOT FAST			
80472*	DOT FASTENER SOCKET			
80473*	DOT FASTENER STUD			
80480/1*	TENAX KEY			
GAC1093	DURABLE DOT TOOL S			
80480*	TENAX CLIP			
81/632513*	FURFLEX BLACK			
81/633407*	FRONT HOOD SEAL			

IMPORTANT - Parts are genuine except - Product codes ending with : # = Original Equipment.Supplier * = Reproduction/Non-O.E.

DAIMLER DART A.B.C SPEC (SP250) Price List

PARTNO	DESCRIPTION	David Manners Ltd DAIMLER DART A.B.C SPEC (SP250)	Retail price	IncVat PRICE
81/636375*	WINDOW GUIDE FELT			
81/636376*	WINDOW GUIDE FELT			
81/636464*	DOOR SEALING RUBBER			
81/642930B	TONNEAU COVER BLACK RHD			
81/642930G	TONNEAU COVER GREY			
81/642930P	TONNEAU COVER PUTTY (BEIGE)			
81/642930R	TONNEAU COVER RED			
81/642930T	TONNEAU COVER TAN			
81/642930W	TONNEAU COVER WHITE			
81/643177*	HOOD FRAME ASSY			
81/643229B	HOOD BLACK			
81/643229G	HOOD GREY			
81/643229P	HOOD PUTTY/BEIGE			
81/643229R	HOOD RED			
81/643229T	HOOD TAN			
81/643229W	HOOD WHITE			
GAC1093	DURABLE DOT TOOL S			
81/643441B	HOOD BAG BLACK			
81/643441G	HOOD BAG GREY			
81/643441P	HOOD BAG PUTTY/BEIGE			
81/643441R	HOOD BAG RED			
81/643441T	HOOD BAG TAN			
81/643441W	HOOD BAG WHITE			
81/646128#	DOOR HANDLE NON-LOCK			
81/646127#	DOOR HANDLE LOCKING DART			
81/646127#PAIR	DOOR HANDLE LOCKING PAIR DART			
81/646445*	WINDOW GUIDE FRT LH			
81/646447*	WINDOW GUIDE REAR LH			
81/675130*	WINDSCREEN CLEAR			
81/675130*UG	WINDSCREEN CLEAR			
81/675130T	WINDSCREEN TINTED			
81/675130T*UG	WINDSCREEN TINTED			
87561*	WINDSCREEN BOLT			
88628*	HOOD PIN NUT			
51/636244*	HANDLE LOCATING PIN			
81/636242*	WINDOW WINDER HANDLE			
BD552/1*	INT.HANDLE ESCUTCHON			
81/646445*	WINDOW GUIDE FRT LH			
81/646446*	WINDOW GUIDE FRT RH			
81/646447*	WINDOW GUIDE REAR LH			
81/646448*	WINDOW GUIDE REAR RH			
81/646123*	DOOR GLASS CHANNEL			
81/646127#	DOOR HANDLE LOCKING			
81/636243*	INTERIOR DOOR HANDLE.			
BD552/1*	INT.HANDLE ESCUTCHON			
81/635257E*	TOP FRAME EXCH.			
-81/635257E*	SURCHARGE on above refunded if old unit can be reconditioned			
81/635258E*	BOTTOM FRAME EXCH.			
-81/635258E*	SURCHARGE on above refunded if old unit can be reconditioned			
81/635255E*	LH SIDE FRAME EXCH.			
-81/635255E*	SURCHARGE on above refunded if old unit can be reconditioned			

IMPORTANT - Parts are genuine except - Product codes ending with : # = Original Equipment,Supplier * = Reproduction/Non-O.E.

DAIMLER DART A.B.C SPEC (SP250) Price List

PARTNO	DESCRIPTION	David Manners Ltd DAIMLER DART A.B.C SPEC (SP250)	Retail price	IncVat PRICE
81/635256E*	RH SIDE FRAME EXCH.			
-81/635256E*	SURCHARGE on above refunded if old unit can be reconditioned			
81/635378*	WINDSCREEN RUBBER			
81/635234*	BOTTOM SCREEN RUBBER			
81/635254*	TOP SCREEN RUBBER			
81/645500*	CRASH RAIL RUBBER			
Electrical				
9953*	Plate 30 No 1	OUTER HEADLAMP RIM		
3446*	Plate 30 No 2	H/LAMP DUST EXCLUDER		
6518#	Plate 30 No 3	H/LAMP UNIT RETAINER		
LUB801	Plate 30 No 4	H4 LAMP KIT RHD(PR) 7" WITH PILOT BULB		
LUB802	Plate 30 No 4	H4 LAMP KIT LHD(PR) 7" WITH PILOT BULB		
LUB328LUCAS	Plate 30 No 4	H/LAMP RHD NO PILOT VARIOUS		
LUB384LUCAS	Plate 30 No 4	H/LAMP LHD H4 + PIL VARIOUS		
LUB362LUCAS	Plate 30 No 4	H/LAMP LHD WITH PIL VARIOUS		
6057#	Plate 30 No 5	H/LAMP ADAPTOR+WIRE		
GLB414	Plate 30 No 6	HEADLAMP BULB PRE-FOCUS HEADLAMP		
9403*	Plate 30 No 7	HEADLAMP GASKET ALL MODELS		
136150/1#	Plate 30 No	HEADLAMP BUCKET		
136150/1KIT	Plate 30 No	BUCKET SET WITH SEAL		
308032*	Plate 30 No	SIDELAMP ASSY		
307794/01*	Plate 30 No 8	SIDELAMP RIM		
307794/02*	Plate 30 No	SIDELAMP RIM SCREW		
307794/05*	Plate 30 No 12	SIDELAMP SEAT.RUBBER		
307795/02*	Plate 30 No	FRONT FLASHER LENS DART		
307795/01*	Plate 30 No 13	FLASHER LAMP RUBBER DART		
3485*	Plate 30 No 14	INDICATOR RIM CHROME		
307795/02*	Plate 30 No 15	FRONT FLASHER LENS DART		
DBC11382#	Plate 30 No 17	SIDE/FLASHER BULB		
308085*	Plate 30 No 18	REAR FLASHER LAMP DART		
6538#	Plate 30 No 17	REAR FLASHER LENS DART		
83/638066*	Plate 30 No 20	LENS SEATING RUBBER DART		
DBC11382	Plate 30 No 21	FLASHER BULB		
305150/04	Plate 30 No 24	STOP/TAIL LENS		
83/638066*	Plate 30 No 25	LENS SEATING RUBBER		
136168*	Plate 30 No 29	REAR LAMP SURROUND DART		
308061*	Plate 30 No 30	REAR LAMP RUBBER DART		
127916*	Plate 30 No 31	NUMBER PLATE LAMP A SPEC CHROME		
136577*	Plate 31 No 36	LOW NOTE HORN ASSY		
136578*	Plate 31 No 36	HIGH NOTE HORN ASSY		
307935*	Plate 31 No 39	BATTERY BAR DART		
431431*	Plate 31 No 40	BATTERY CLAMP ROD DART		
C31352	Plate 31 No	BATT.CLAMP WING NUT		
C937*	Plate 31 No 42	P/TANK UNIT GASKET		
C16062	Plate 31 No 44	BRAKE LIGHT SWITCH		
C16064#	Plate 31 No 45	HEADLAMP DIP SWITCH DART		
C20367*	Plate 31 No 46	STARTER SOLENOID		
		THIS IS THE PUSH BUTTON TYPE		
C30287*	Plate 31 No 46	STARTER SOLENOID		
		THIS IS THE SOLID BUTTON TYPE		

IMPORTANT - Parts are genuine except - Product codes ending with : # = Original Equipment.Supplier * = Reproduction/Non-O.E.

DAIMLER DART A.B.C SPEC (SP250) Price List

PARTNO	DESCRIPTION	David Manners Ltd DAIMLER DART A.B.C SPEC (SP250)	Retail price	IncVat PRICE
C18287#	Plate 31 No 47	VOLTAGE REGULATOR		
JLM9552	Plate 31 No 48	FLASHER UNIT		
C16053#	Plate 31 No 49	FUSE BOX ASSY		
AZX1308	Plate 31 No 50	FUEL PUMP NEG EARTH		
EPK12N	Plate 31 No 50	FUEL PUMP CONV.KIT NEGATIVE EARTH		
EPK12P	Plate 31 No 50	FUEL PUMP CONV.KIT POSITIVE EARTH PUMP		
AZX1308#	Plate 31 No 50	FUEL PUMP NEG EARTH		
AUA152#	Plate 31 No 50	FUEL PUMP(ORIGINAL)		
EPK800*	FUEL PUMP REPAIR KIT XK MODELS/DART			
EPK800	FUEL PUMP REPAIR KIT XK/DART 2.375"			
5846#	Plate 31 No 58	FUEL PUMP FILTER DART		
C11488	Plate 31 No 59	FUEL PIPE BANJO BOLT		
C11488*	Plate 31 No 59	FUEL PIPE BANJO BOLT		
C11488#	Plate 31 No 59	FUEL PIPE BANJO BOLT		
AUC2141#	Plate 31 No 60	BANJO BOLT WASHER		
AUB6106J	Plate 31 No 67	TWIN F/PUMP POINTS		
AUB6106J*	Plate 31 No 67	TWIN F/PUMP POINTS		
136251E*	Plate 32 No 84	WIPER MOTOR EXCH. DART		
+136251E*	CORE UNIT WIPER MOTOR EXCH.			
136251/01	Plate 32 No 85	WIPER RACK DART		
13H66	Plate 32 No 91	WIPER ARM RHD DART		
51/638001*	Plate 32 No 92	WIPER BLADE 8" DART		
136290*	WIRING HARNESS SET DART			
308082E*	Plate 32 No 93	SPEEDOMETER KPH EXCH DART		
-308082E*	SURCHARGE on above refunded if old unit can be reconditioned			
308082E*	Plate 32 No 93	SPEEDOMETER KPH EXCH DART		
+308082E*	SURCHARGE on above refunded if old unit can be reconditioned			
C15788	Plate 32 No 94	GAUGE BULB ALL MODELS		
C15788*	Plate 32 No 94	GAUGE BULB ALL MODELS		
308083*	Plate 32 No 95	SPEEDO CABLE (55") DART RHD MANUAL		
DAC1037	Plate 32 No 95	SPEEDO CABLE LHD MANUAL		
DAC1037*	Plate 32 No 95	SPEEDO CABLE LHD MANUAL		
308327*	Plate 32 No 95	SPEEDO CABLE DART AUTO		
308076E*	Plate 32 No 95	REV COUNTER EXCH. DART		
+308076E*	CORE UNIT REV COUNTER EXCH.			
C15788	Plate 32 No 100	GAUGE BULB ALL MODELS		
C15788*	Plate 32 No 100	GAUGE BULB ALL MODELS		
308084*	Plate 32 No 101	REV.COUNTER CABLE DART RHD MANUAL		
309145*	Plate 32 No 101	REV.COUNTER CABLE DART RHD AUTO		
308006*	Plate 32 No 101	REV.COUNTER CABLE DART LHD		
308077E*	Plate 32 No 105	PETROL GAUGE EXCH DART		
+308077E*	SURCHARGE on above refunded if old unit can be reconditioned			
308079E*	Plate 32 No 107	WATER TEMP GAUGE DART		
-308079E*	SURCHARGE on above refunded if old unit can be reconditioned			
308080*	Plate 32 No 109	TEMP TRANSMITTER DART		
308884E*	Plate 32 No 110	OIL PRESS.GAUGE EXCH DART		
-308884E*	SURCHARGE on above refunded if old unit can be reconditioned			
308621*	Plate 32 No	OIL GAUGE PIPE DART		
308096E*	Plate 32 No 112	AMMETER EXCH. DART		
-308096E*	SURCHARGE on above refunded if old unit can be reconditioned			
C15788	GAUGE BULB ALL MODELS			
C15788*	GAUGE BULB ALL MODELS			
31788	Plate 32 No 112	SWITCH 57SA DART		

IMPORTANT - Parts are genuine except - Product codes ending with : # = Original Equipment.Supplier * = Reproduction/Non-O.E.

DAIMLER DART A.B.C SPEC (SP250) Price List

PARTNO	DESCRIPTION	David Manners Ltd DAIMLER DART A,B,C SPEC (SP250)	Retail price	IncVat PRICE
31788*	Plate 32 No 112	SWITCH 57SA DART		
C15760#	Plate 32 No	PANEL LIGHTS SWITCH		
431425#	Plate 32 No 118	IGNITION SWITCH DART		
431427#	Plate 32 No 121	WIPER MOTOR SWITCH DART		
308103/1*	Plate 32 No 123	WIPER MOTOR SWITCH DART		
136290*	Plate 32 No	WIRING HARNESS SET DART		
136227/03*	Plate 32 No	STATOR TUBE LOOM DART		
Heater				
136209/02*		HEATER MATRIX		
308135*		HEATER CONTROL		
308135/1*		CONTROL MECH PLATE		
308109*		HEATER DECAL		
HTP5SS		HEATER PIPE KIT		
136209/03*		HEATER FELT STRIP		
136212*		WATER PIPE S/STEEL		
308151*		WATER PIPE S/STEEL		
308135*		HEATER CONTROL		
431610*		HEATER KNOB - REPRO		
307759/13*		CHOKE/AIR CONT.CABLE		
308164*		DEMISTER TUBE		
Optional Extras				
136227/03*		STATOR TUBE LOOM DART		
308091*		LH REAR SPLINED HUB DART		
308092*		RH FRONT SPLINED HUB DART		
308093*		LH FRONT SPLINED HUB DART		
308105*		LH WHEEL SPINNER DART (2 EARED)		
308104*		RH WHEEL SPINNER DART (2 EARED)		
GAC1089/1		SPINNER SAVER DART		
308105/1*		LH WHEEL SPINNER DART (OCTAGONAL)		
308104/1*		RH WHEEL SPINNER DART (OCTAGONAL)		
XW459S		PAINTED WIRE WHEEL DART 5"		
XW459C		CHROME WIRE WHEEL DART 5"		
XW457C		CHROME WIRE WHEEL DART 5.5"		
XW457S		PAINTED WIRE WHEEL DART 5.5"		
81/634295*		SPARE WIRE WHL COVER DART		
136184*		ADJ STEERING WHEEL DART		
131752/02*		VOLUTE SPRING DART		
131752/03*		TOP VOLUTE WASHER DART		
136269/01*		LARGE HUB CAP DART		
136269/03*		OUTER H/CAP ADAPTOR DART - 2ND HAND		
C17004*		WASHER BOTTLE ASSY		
8036*		WASHER BOTTLE COVER		
8038*		WASHER FILLER CAP		
GWW202M		SCREEN WASHER TUBE ALL MODELS		
308283*		STAINLESS FINISHER DART		
C11677*		CIGAR LIGHTER		
GAC1073		OVER-TAKING MIRROR MOST MODELS.CONVEX		
GAM105		BULLET MIRROR SPORTS MODELS		

IMPORTANT - Parts are genuine except - Product codes ending with : # = Original Equipment.Supplier * = Reproduction/Non-O.E.

DAIMLER DART A.B.C SPEC (SP250) Price List

PARTNO	DESCRIPTION	David Manners Ltd DAIMLER DART A.B.C SPEC (SP250)	Retail price	IncVat PRICE
C15787	WARNING LIGHT BULB			
GAC1097	HEADLAMP STONEGUARDS MK2/V8/DART			
GAC1093	DURABLE DOT TOOL S			
GAC4100	UNION JACK PLAQUE ALL MODELS			
81/633331*	HARD TOP FRT RUBBER DART			
BD23474*	H/T CLAMPING RUBBER DART			
81/633327*	B/L.FILLER RUBBER DART			
81/633400*	H/TOP SEATING RUBBER DART			
470011*	H/TOP FILLER RUBBER DART			
431607/02*	FOG LIGHT KNOB DART			
81/633143*	H/TOP GLAZING RUBBER DART			
81/633327*	B/L.FILLER RUBBER DART			
81/633400*	H/TOP SEATING RUBBER DART			
470011*	H/TOP FILLER RUBBER DART			
JLM260#	FOGRANGER BULB MK2/V8/XK140/150			
431607/02*	FOG LIGHT KNOB DART			

Accessories

XWCLEANER	W/W CLEANING KIT WIRE WHEELS			
GAC1012	DAIMLER KEY RING			
GAC1017	GOLD L/CAT BADGE			
JLM2082	TORCH HIGH POWER			
C2A1016	SHAMPOO			
C2A1023	GLASS CLEANER			
C2A1025	CHAMOIS LEATHER			
C2S1643#	CONNOLLY HIDE FOOD			
C2882*	TOOL ROLL " empty"			
C27290*	COPPER/HIDE HAMMER WIRE WHEELS			
GAC2057X	WIRE WHEEL BRUSH WIRE WHEELS			
GAC1026	DAIMLER DART MODEL DART			
GAC1073	OVER-TAKING MIRROR MOST MODELS.CONVEX			
GAC4100	UNION JACK PLAQUE			
GAC1072	CHROME G.B. LETTERS			
GAM105	BULLET MIRROR SPORTS MODELS			
C2A1024	DE-ICER			
GBY9998X	BATT CHARGER/CONDIT			
GAC1097	HEADLAMP STONEGUARDS MK2/V8/DART			
GAC9972X	BADGE A.A.			
GAC9971X	BADGE R.A.C.			

IMPORTANT - Parts are genuine except - Product codes ending with : # = Original Equipment Supplier * = Reproduction/Non-O.E.

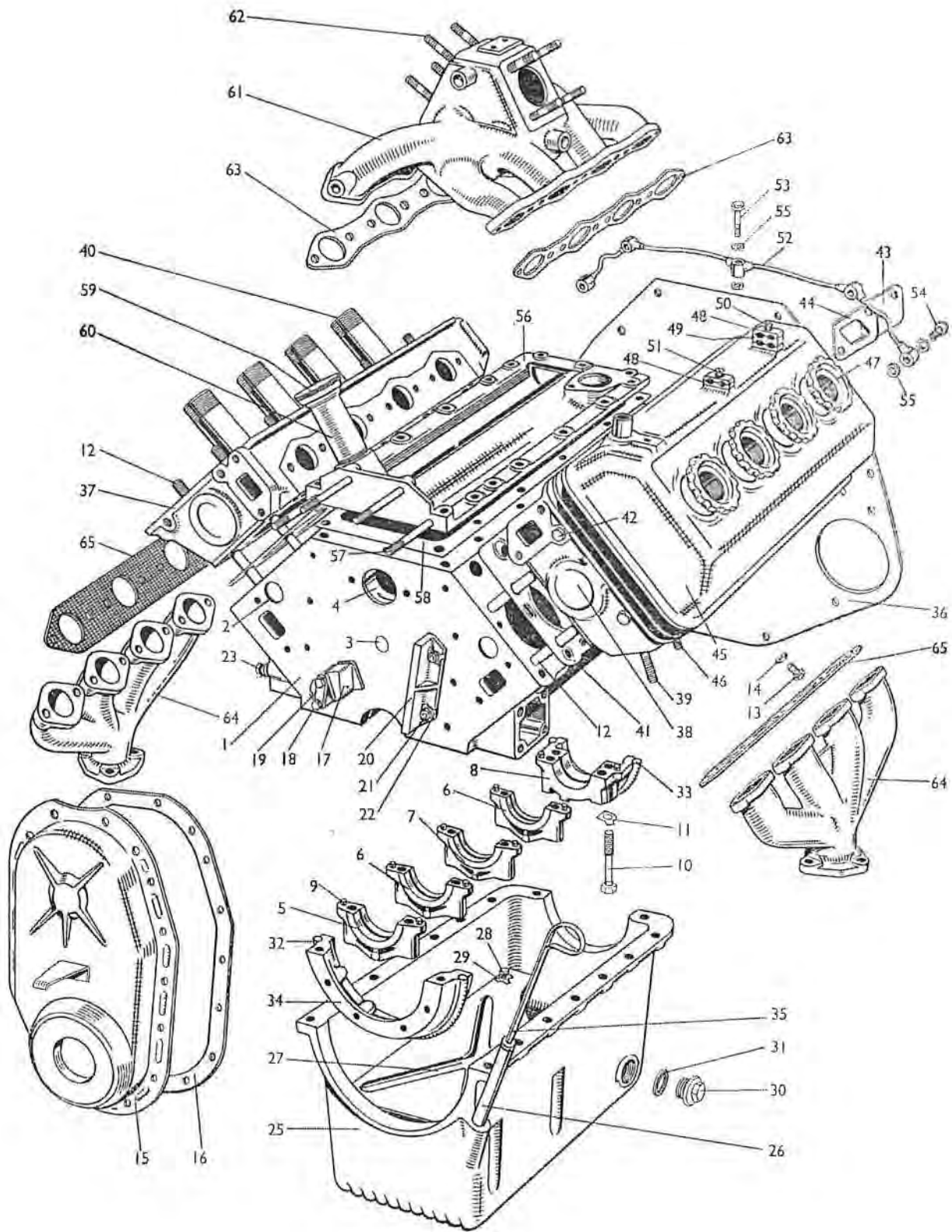


Plate 1

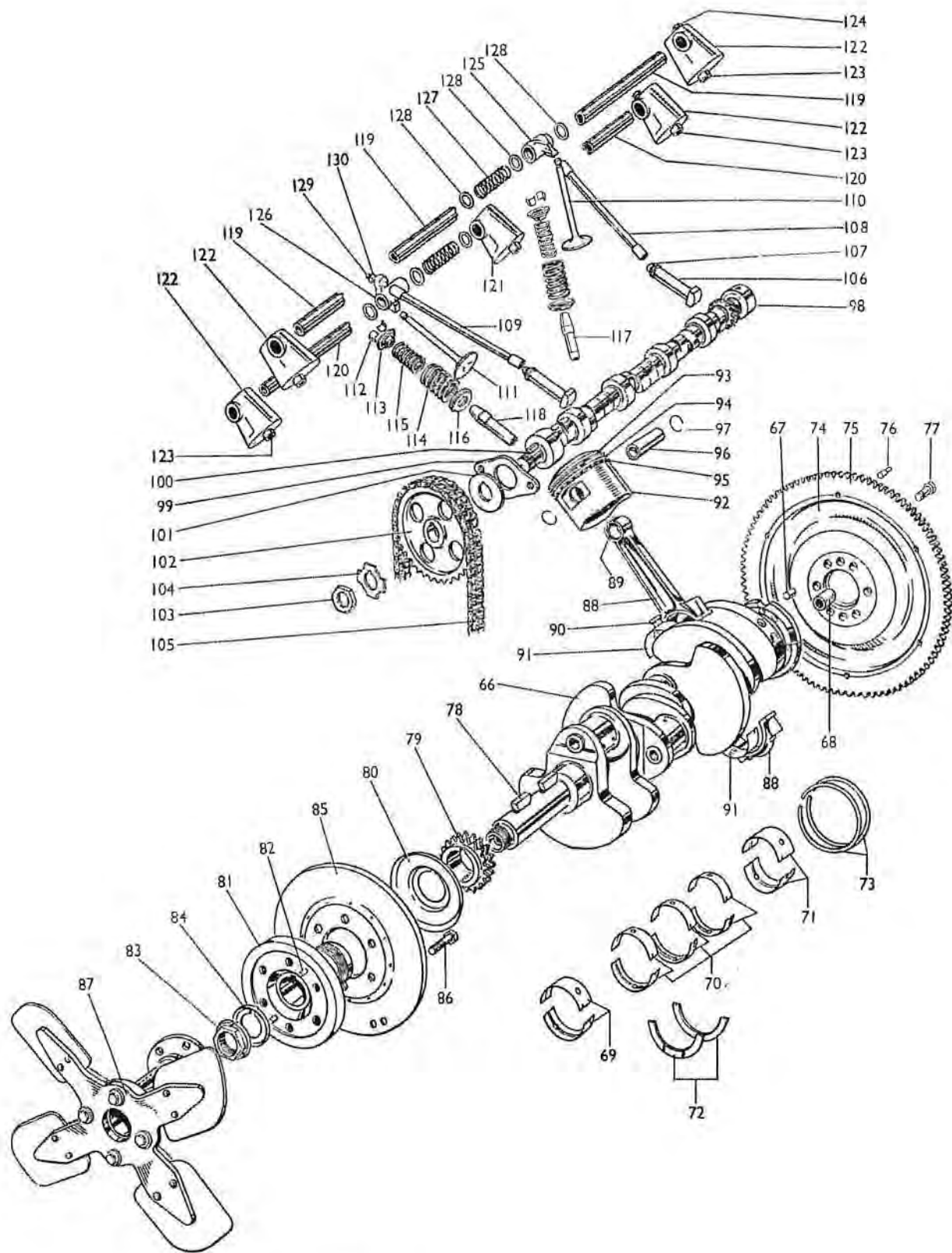


Plate 2

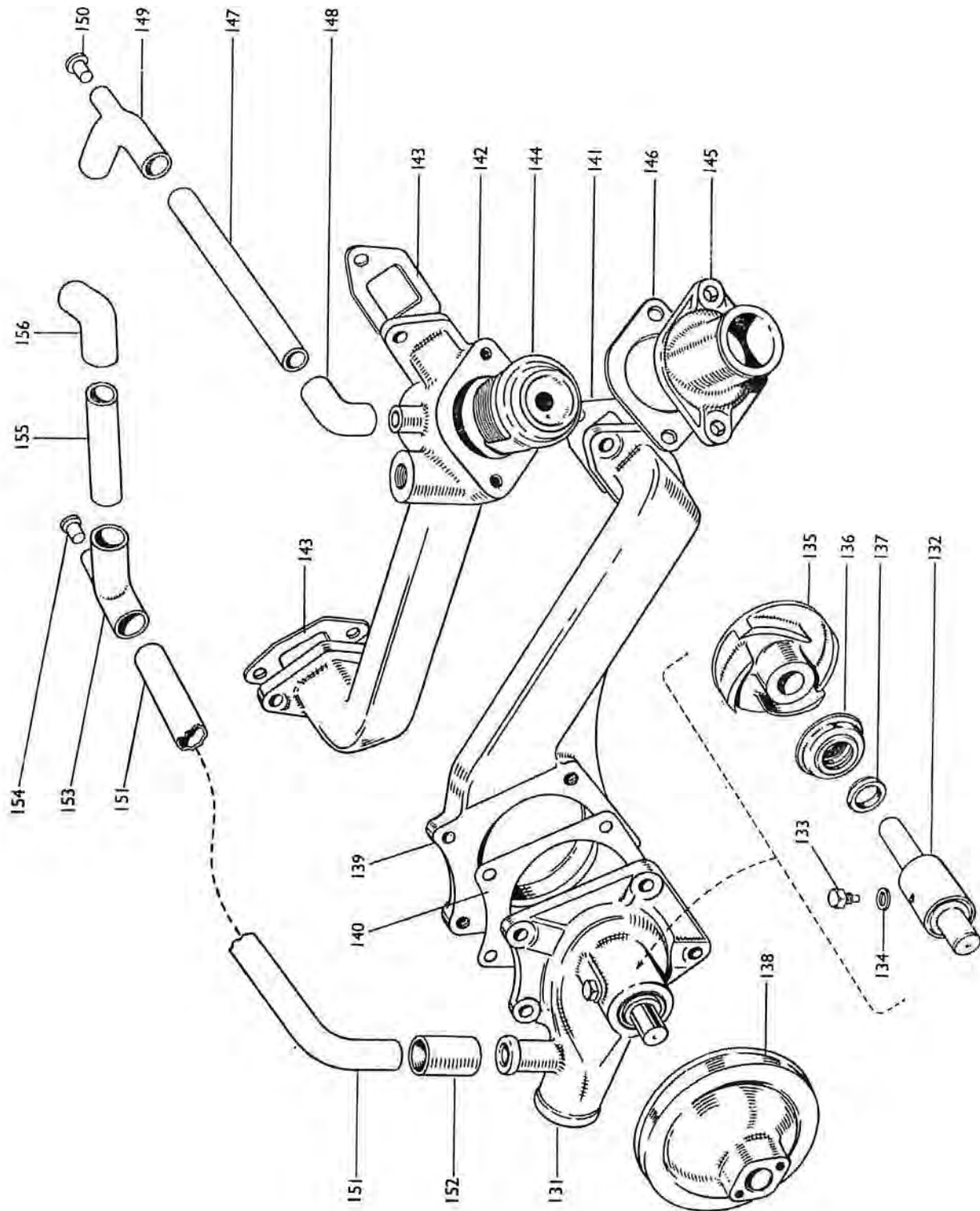
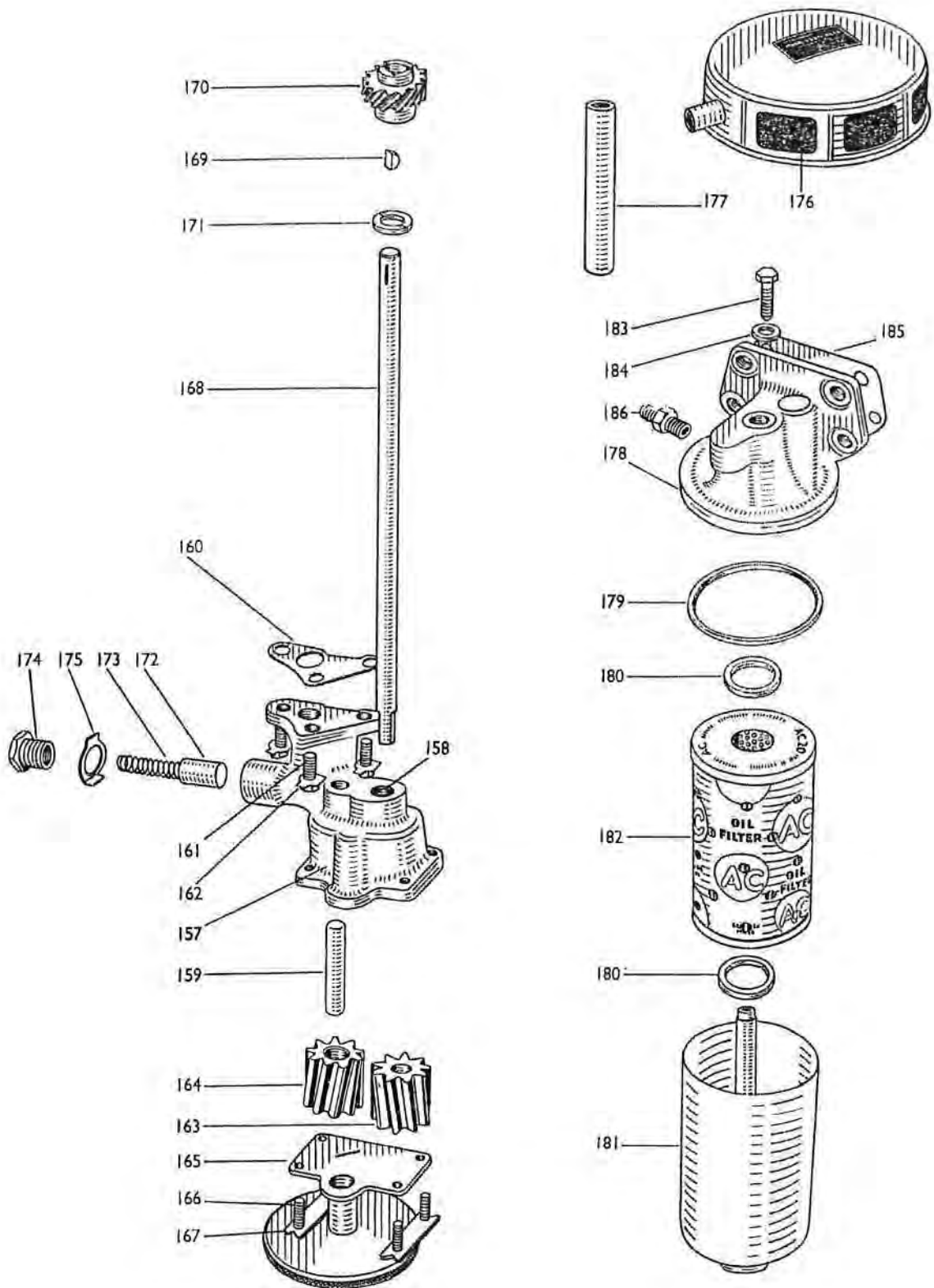
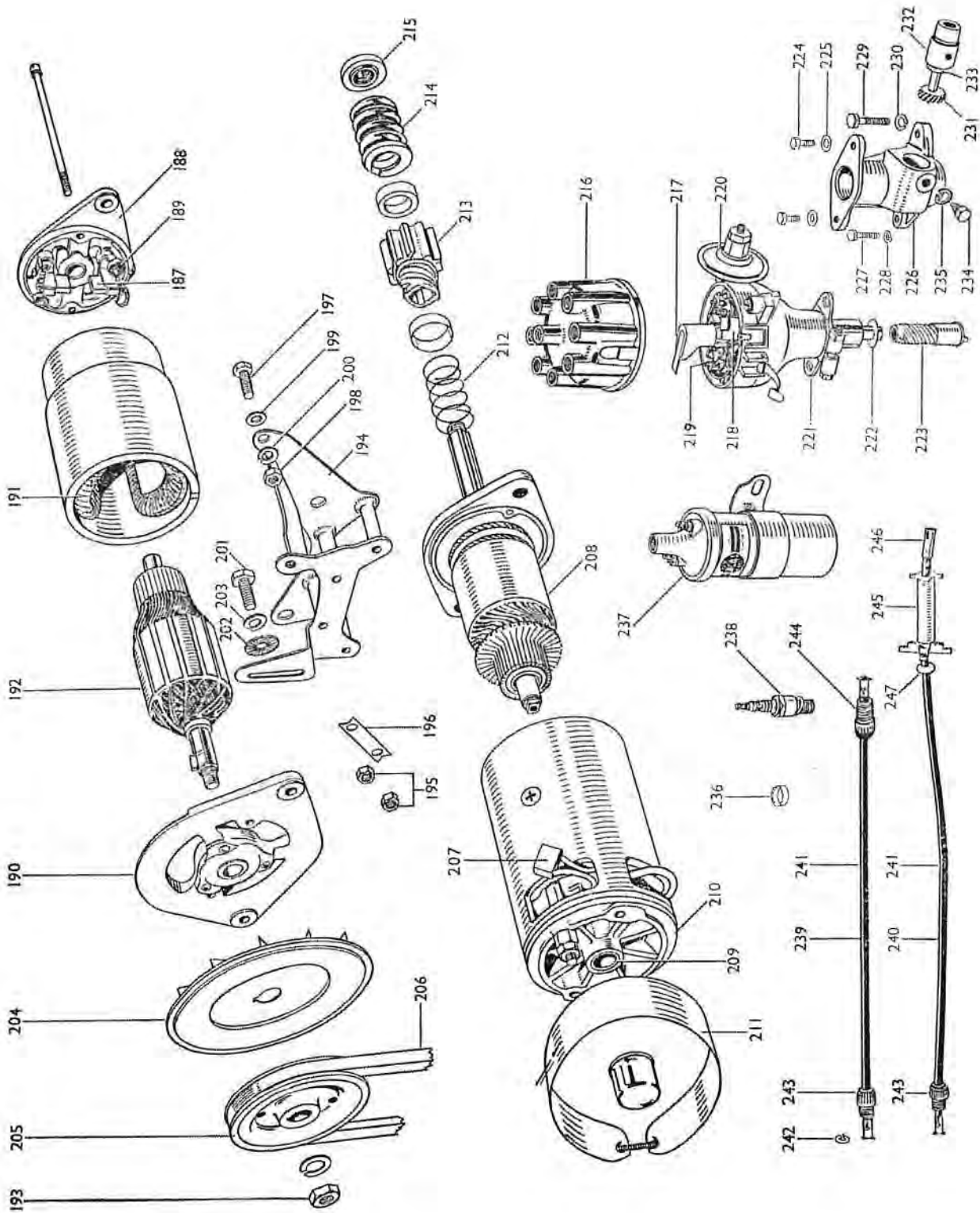


Plate 3





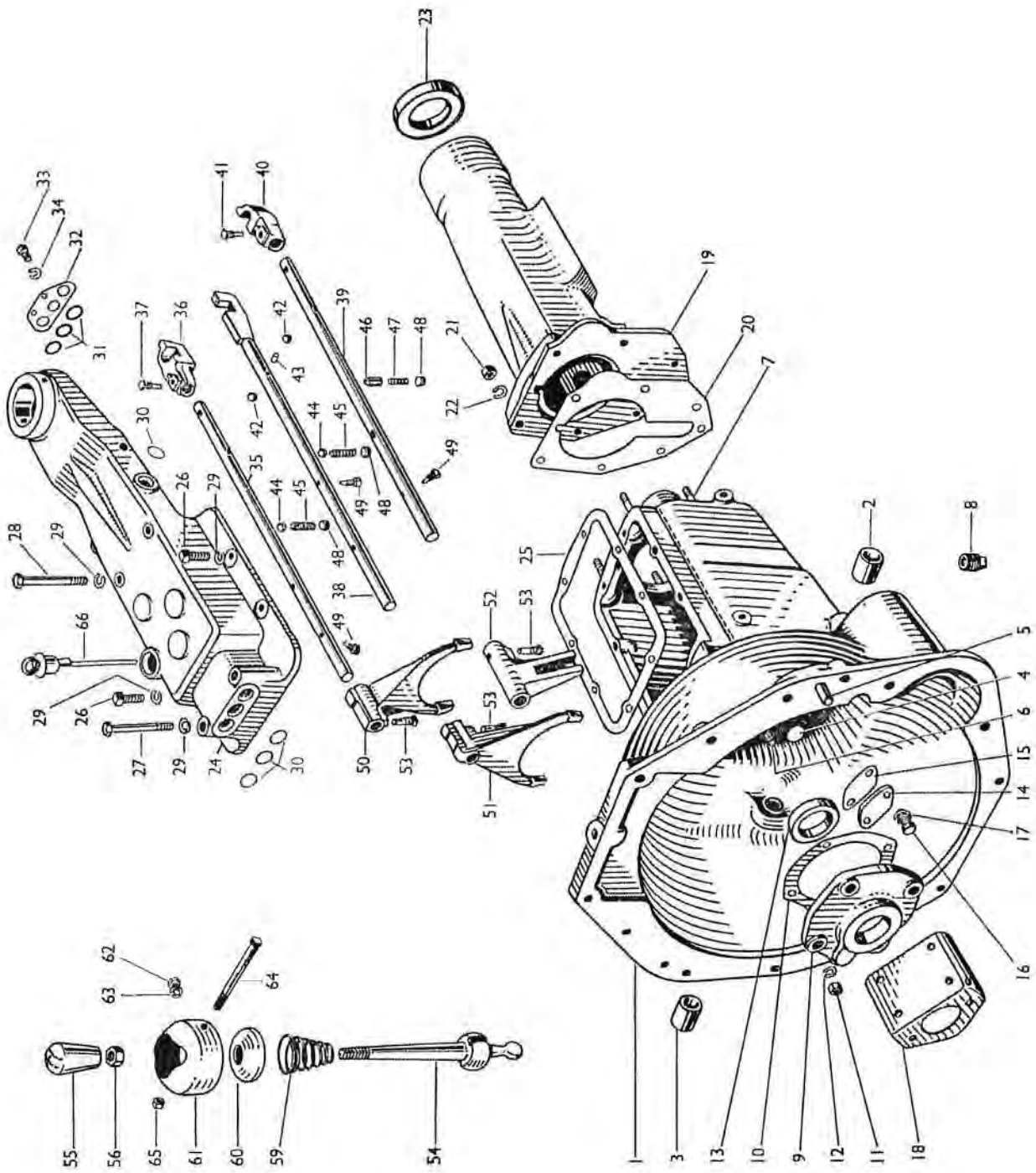
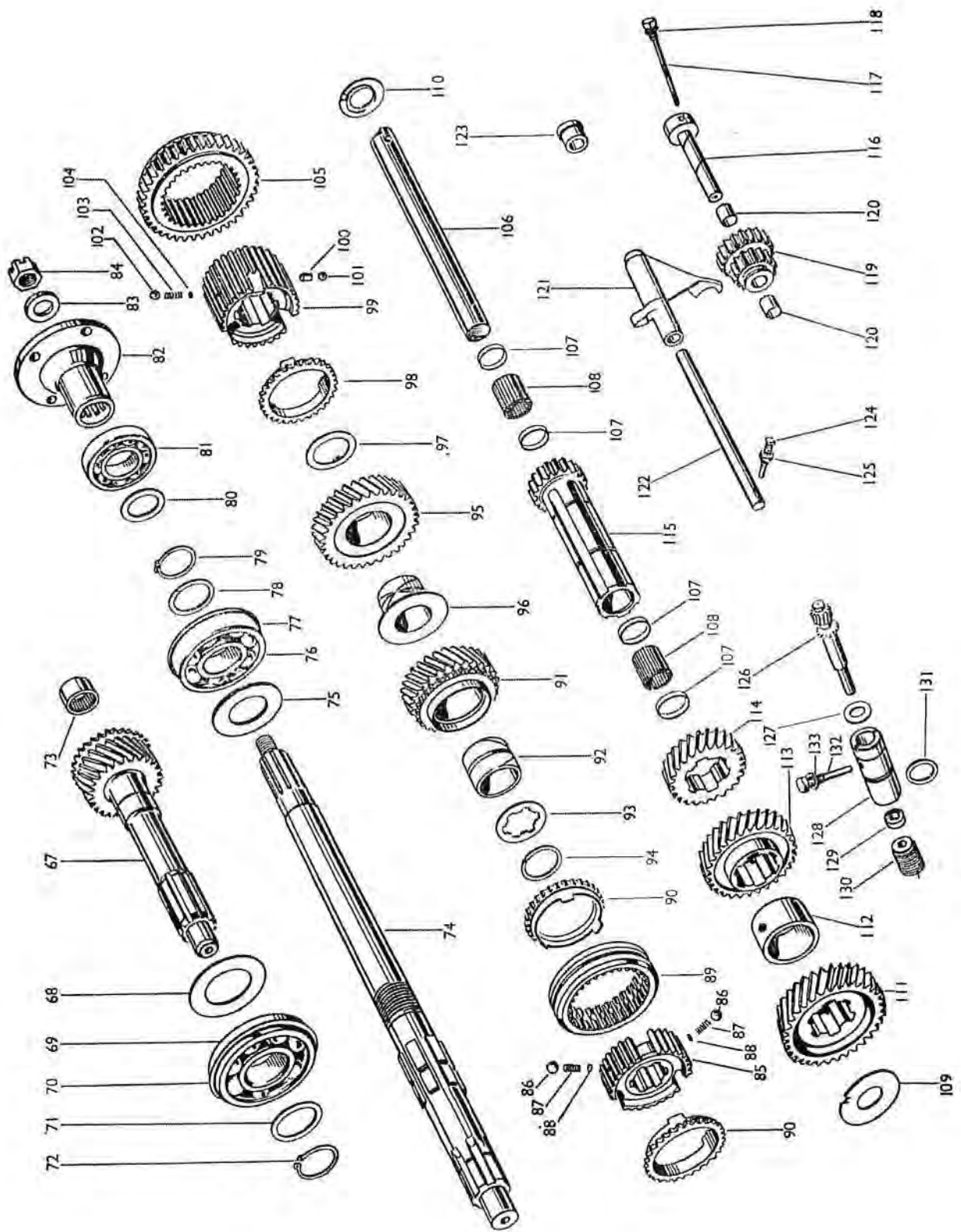
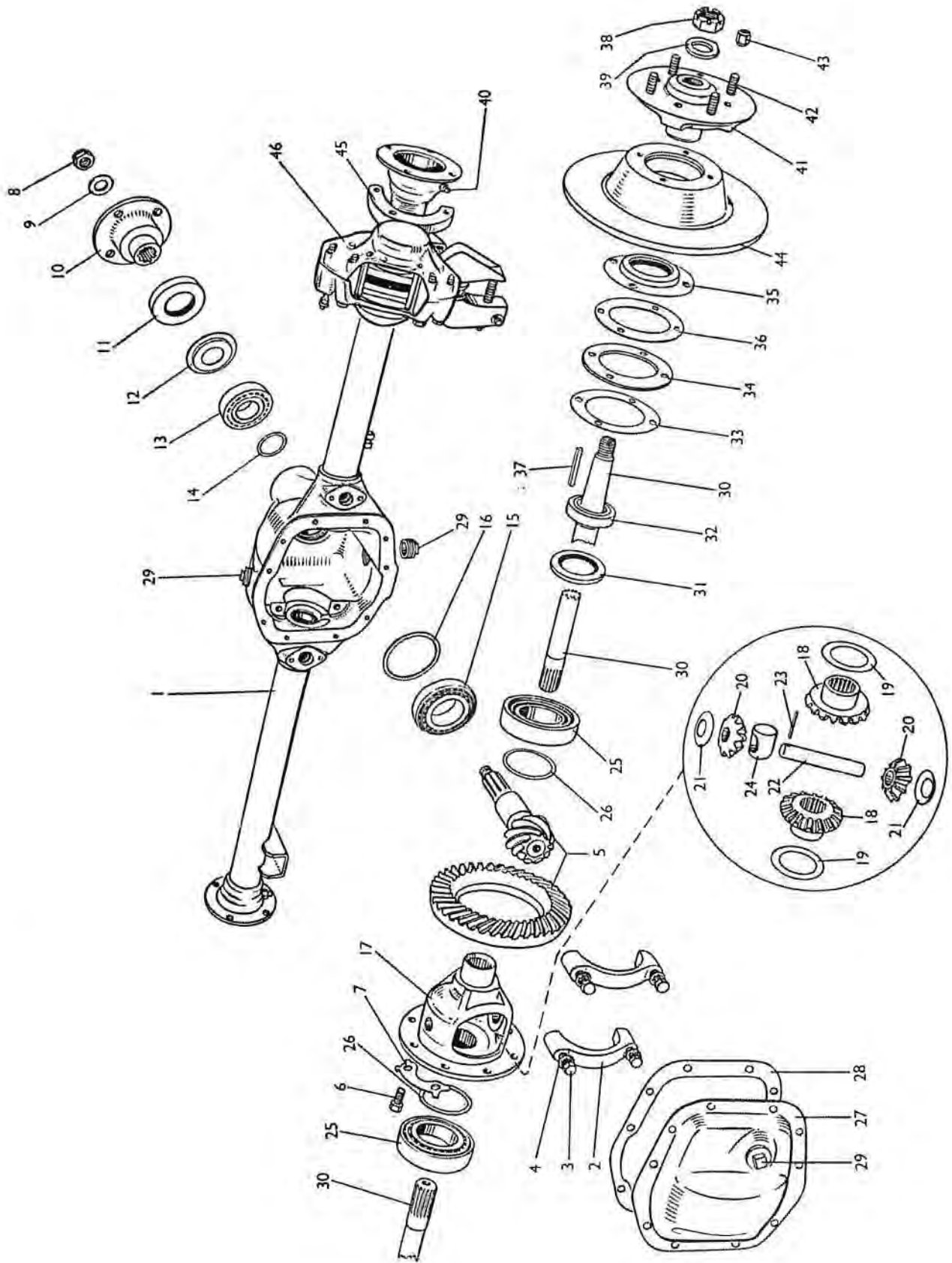


Plate 10





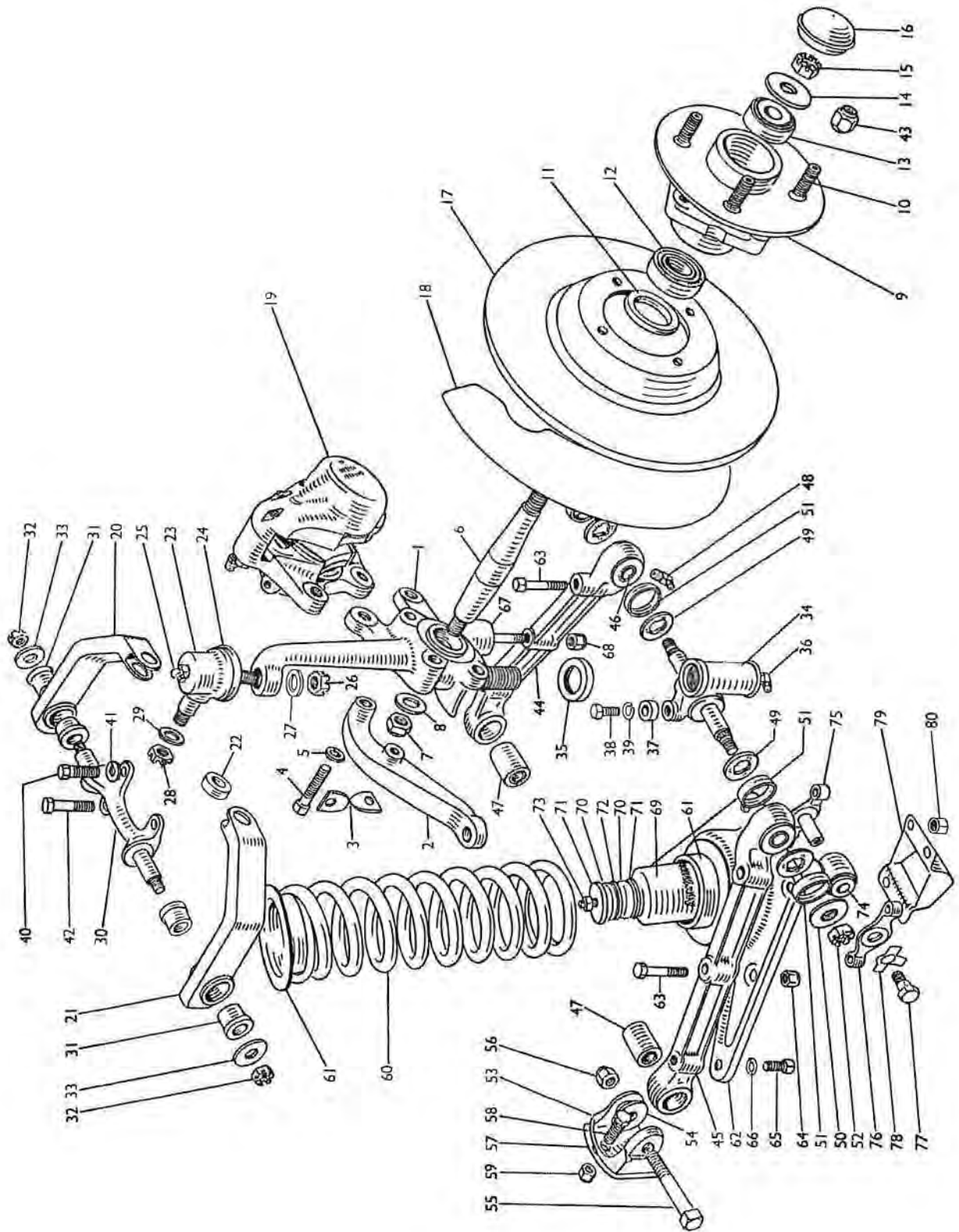
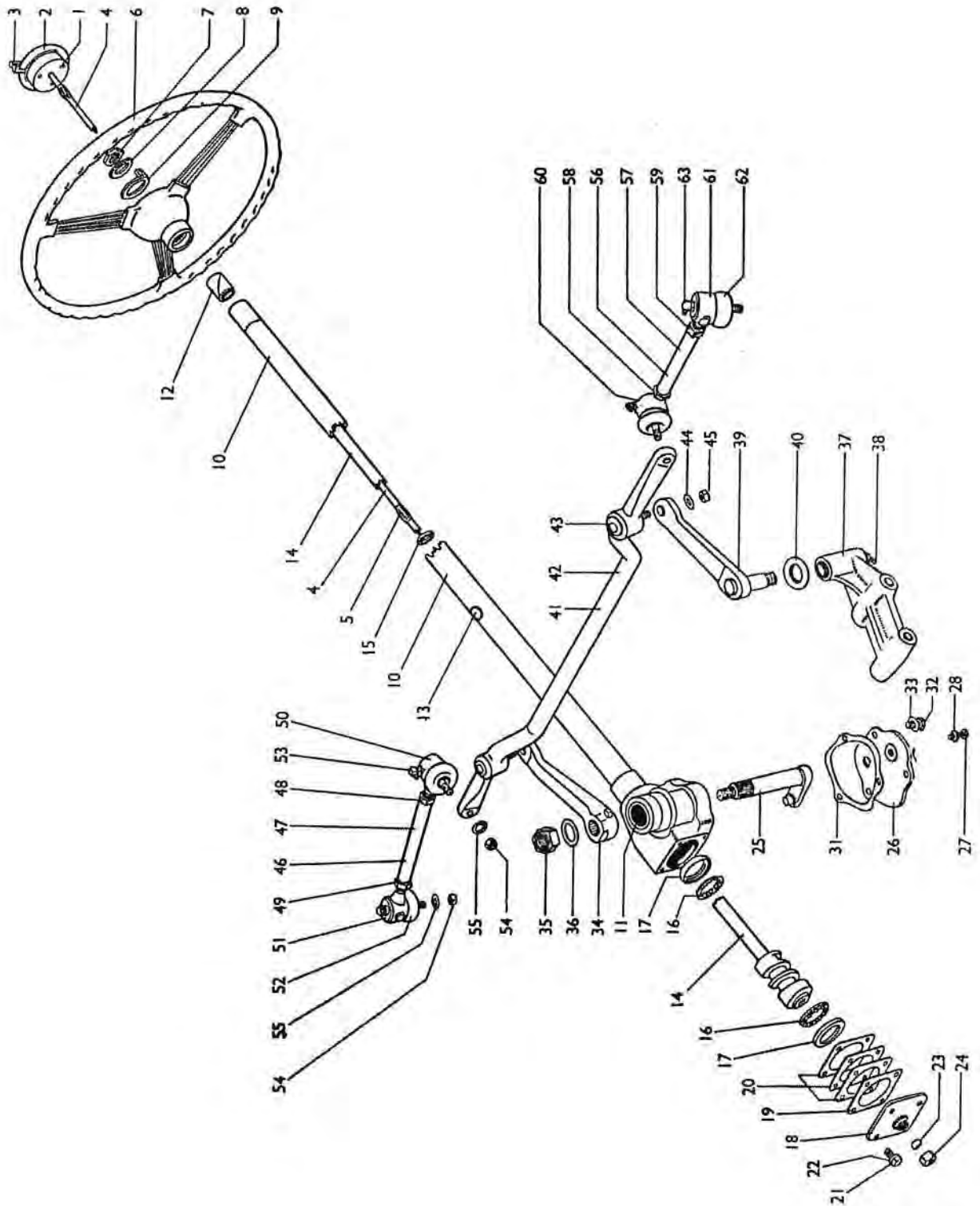


Plate 20



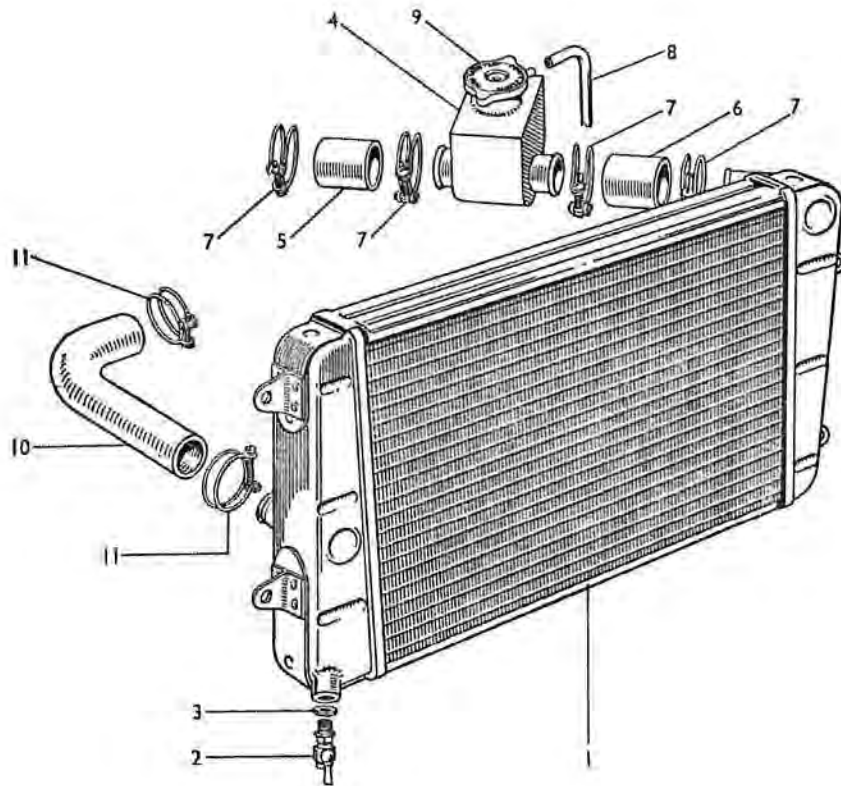
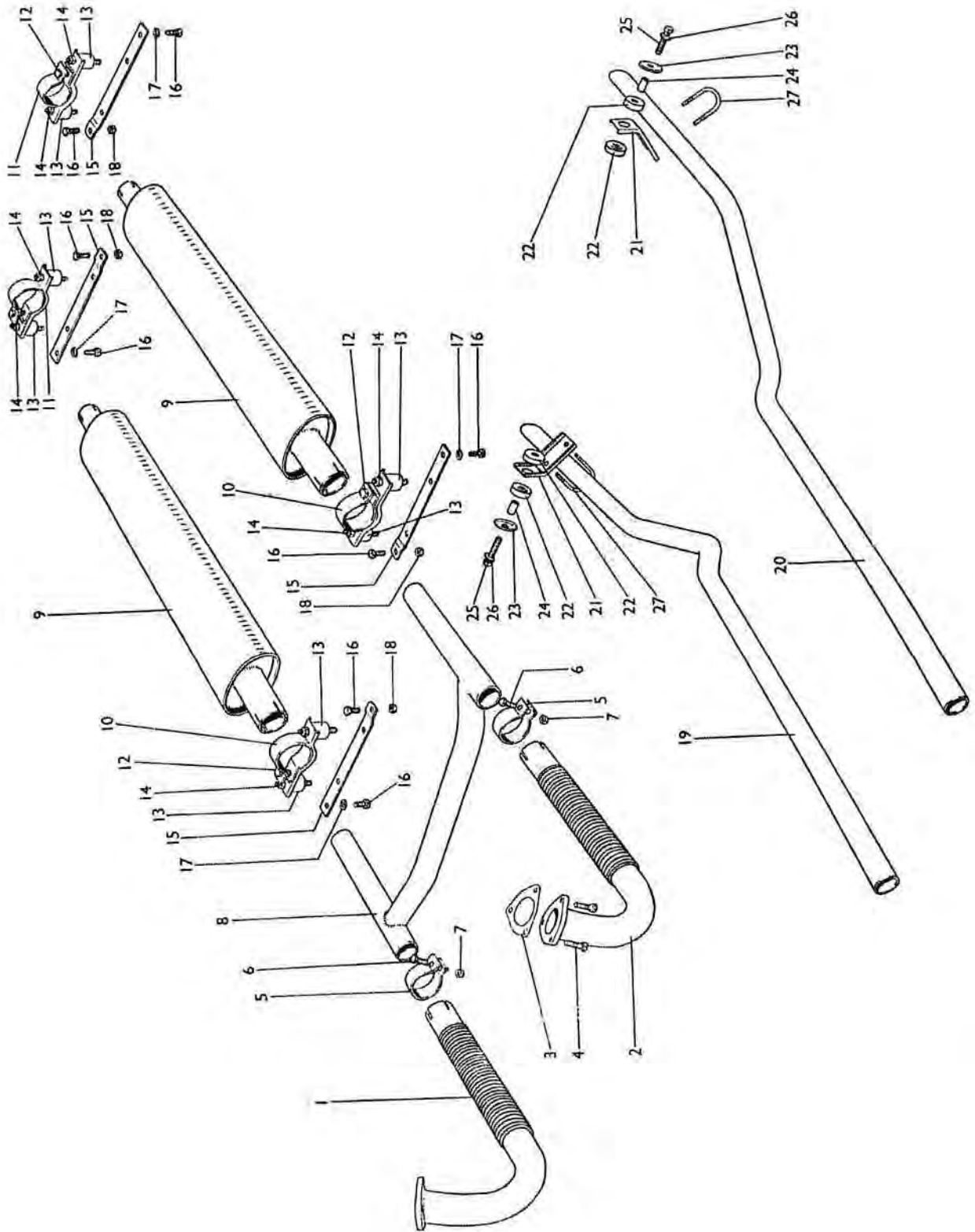


Plate 24



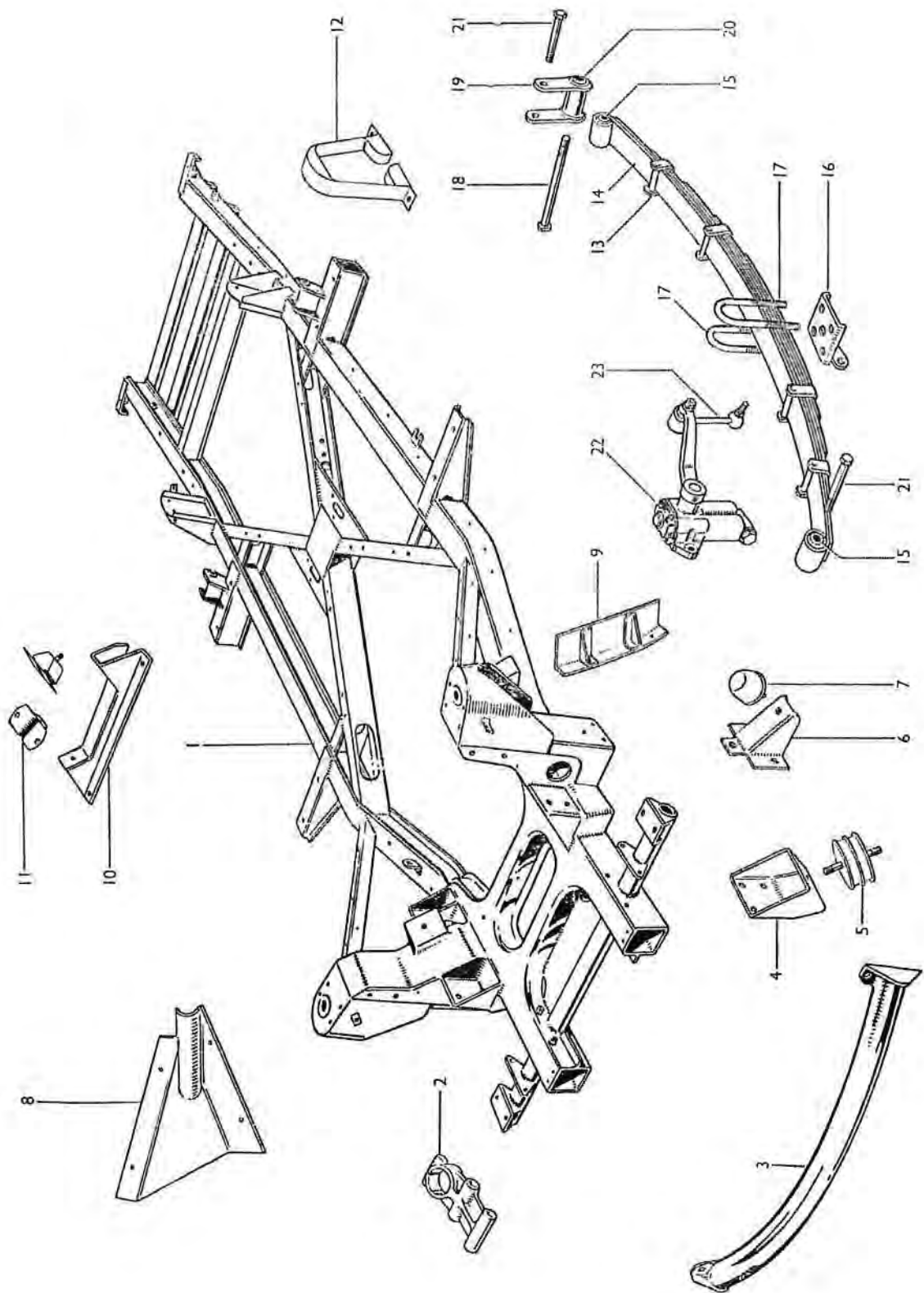
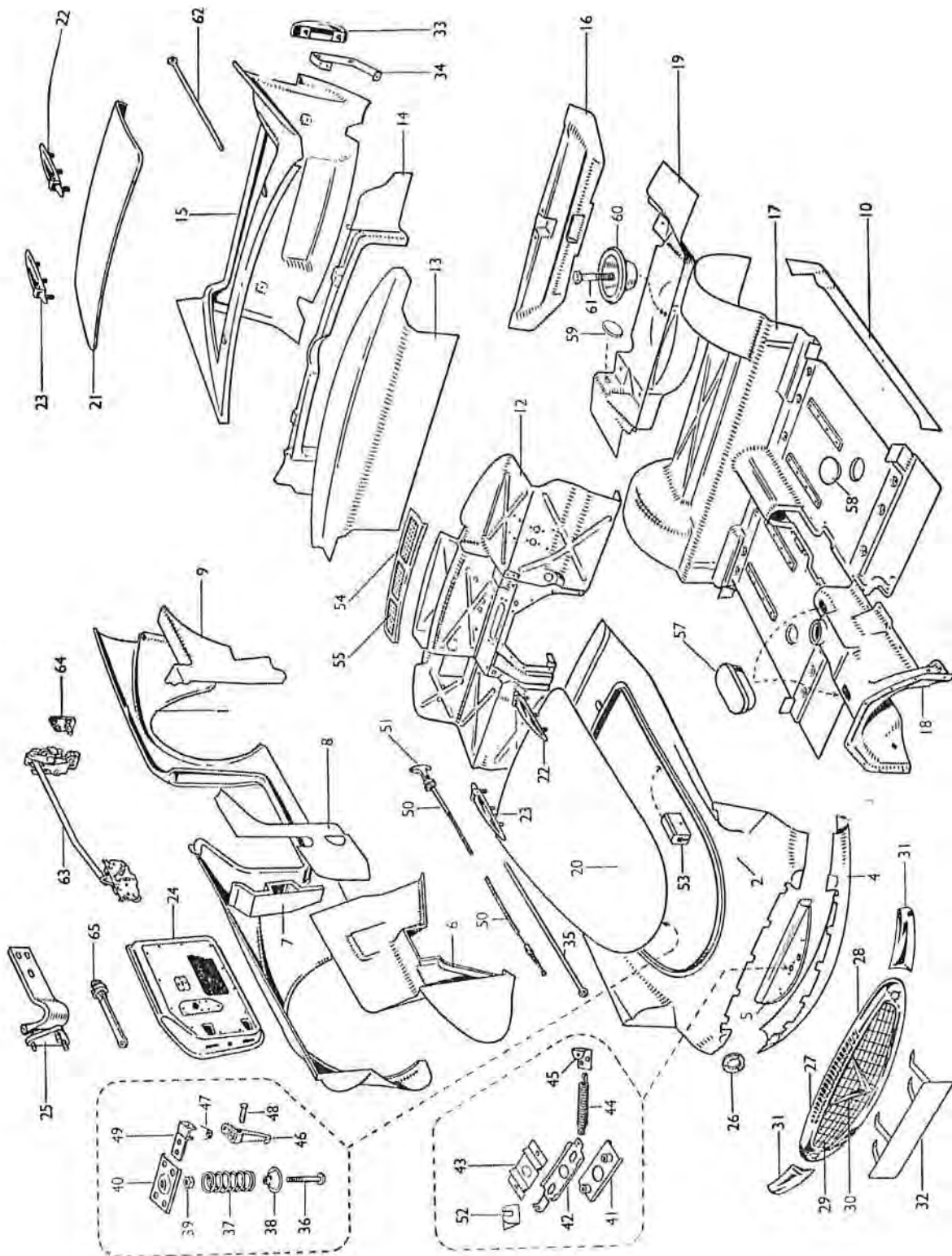


Plate 27



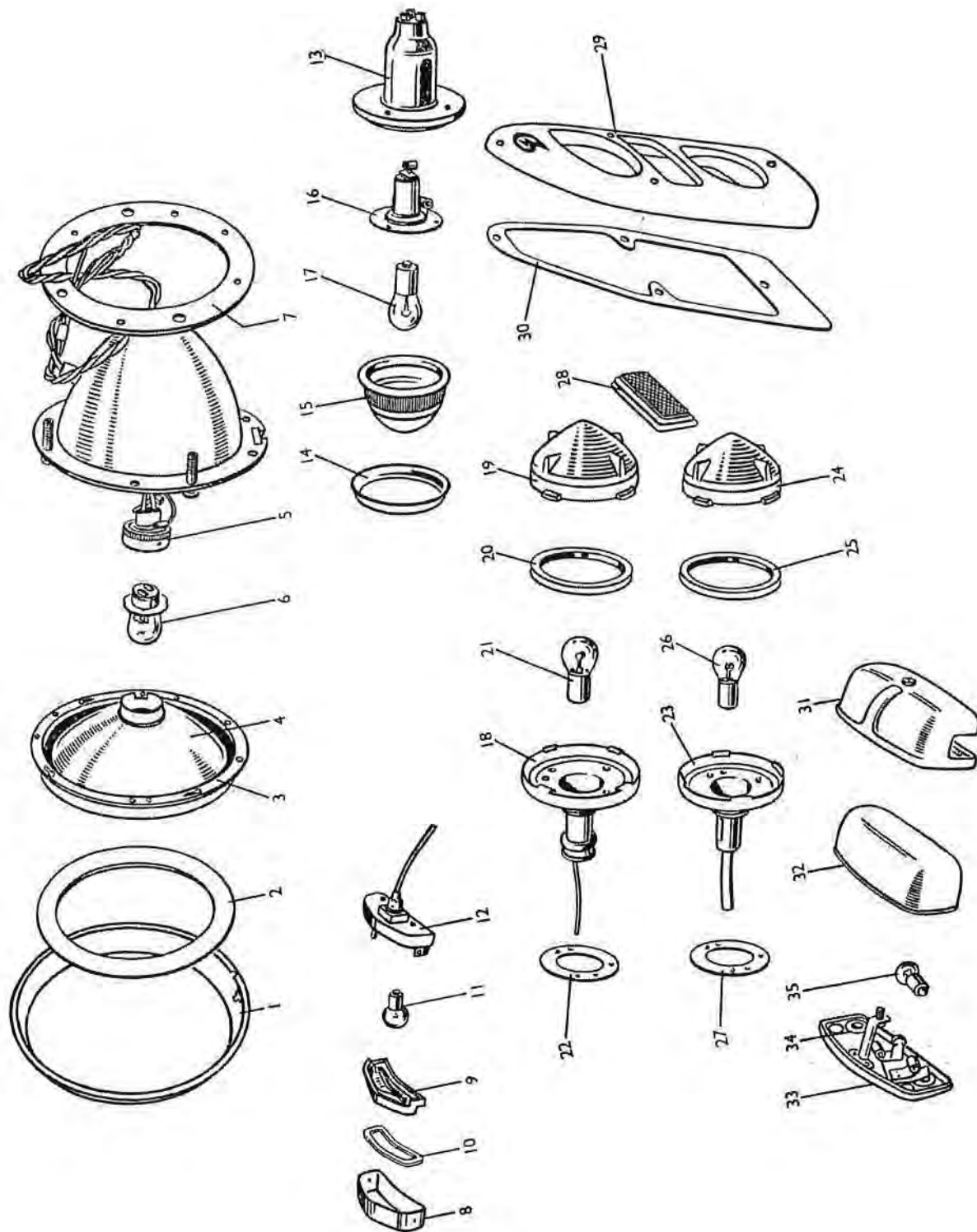


Plate 30

