

# DAVID MANNERS

PARTS FOR JAGUAR & DAIMLER CARS

XK120 | XK140 | XK150 | MK-II | E-TYPE | V8 | SP250 | 420 | MX-X | XJ6 | XJS | XJ40 | X300 | X308 | X350 | XK8 | XJ8 | X-TYPE | S-TYPE



## DAIMLER V8 RETAIL PARTS GUIDE



0121 544 4040

E-MAIL: ENQUIRIES@DAVIDMANNERS.CO.UK  
OR VISIT OUR OLDBURY TRADE COUNTER - B69 4RJ

[WWW.DAVIDMANNERS.CO.UK](http://WWW.DAVIDMANNERS.CO.UK)

PARTS FOR CLASSIC MINI | JAGUAR & DAIMLER | MG & TRIUMPH | MORRIS MINOR | MX-5

## PARTS FOR JAGUAR & DAIMLER CARS



The David Manners Group comprises of four of the most established market leaders in the car parts industry including Abingdon MG Parts Ltd, Mini Spares Centre Limited, and Morris Minor Centre (Birmingham) and supply parts for modern and classic Jaguar & Daimler, MG & Triumph, Mazda MX5, Classic Mini and Morris Minor cars.

**We supply parts for the following models:**

**Daimler V8, Daimler Dart, Jaguar MK2, E-type, XK120, XK140, XK150, XJ6, XJ12, XJS, XJ40, S-type, X-Type, X300, X308, XK8, XJ8, XF & XJ.**

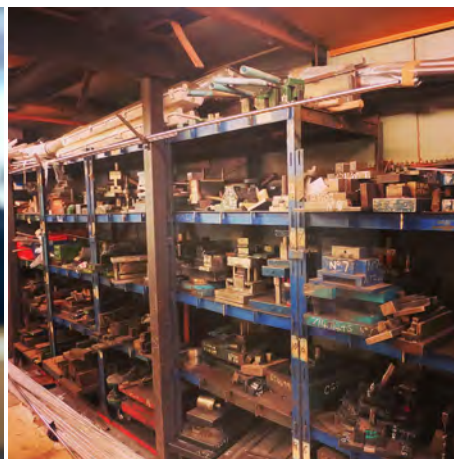
EASY ONLINE ORDERING | NEXT DAY & INTERNATIONAL DELIVERY  
OWNERS' CLUB DISCOUNTS | ONSITE ENGINEERING DEPARTMENT



**ONSITE ENGINEERING**



**AS FEATURED ON CAR S.O.S**



**90% OF STOCK MADE IN THE UK**



[WWW.DAVIDMANNERS.CO.UK](http://WWW.DAVIDMANNERS.CO.UK)

[ENQUIRIES@DAVIDMANNERS.CO.UK](mailto:ENQUIRIES@DAVIDMANNERS.CO.UK)

**0121 544 4040**

## DAIMLER V8 2.5 & 250 1959-1970 Price List

PARTNO	DESCRIPTION	David Manners Ltd DAIMLER V8 2.5 & 250 1959-1970	Retail price	IncVat PRICE
--------	-------------	--	--------------	--------------

### Parts Catalogues

**THIS PARTS LIST COVERS CARS FROM 1960 TO 1969**

**DAIMLER 2.5 AND 250 MODELS ..**

JTP1013	PARTS/TECH DVD DAIMLER VARIANTS
JTP1015	PARTS/TECH DVD SET JAGUAR COLLECTION
E1002/3*	WORKSHOP MANUAL SOFT V8 2.5/250

### Service Items

C21648*	AIR FILTER ELEMENT V8 2.5	1 x per car
11875#	AIR FILTER ELEMENT V8 250	2 x per car
7752*	P.A.S PUMP FILTER	
9673*	OIL FILTER ELEMENT	
OFCK1	OIL FILTER CONV KIT	
11950*	FUEL FILTER SEAL	
C28080*	FUEL FILTER ELEMENT LATE	
AUB6106J*	TWIN F/PUMP POINTS	
136104/1/2/3/4	CAP+ROTOR+2 X.POINTS+CONDENSER KIT ..	
136104/1#	DISTRIBUTOR CAP	
136104/2#	ROTOR ARM	
136104/3#	CONDENSER	
136104/4#	CONTACT POINTS	
C21025*	DYNAMO BELT	
C27354*	ALTERNATOR BELT	
C20887*	FAN BELT	
C18460#	RADIATOR CAP 4LB	
C27650/1	THERMOSTAT 82C	
C27650/1#	THERMOSTAT 82C	
HK014	WATER HOSE KIT	
10821#	BRAKE PADS	O.E.
10821GS	BRAKE PADS	Green stuff road
10821RPC	BRAKE PADS	Red stuff road & race
10821YS	BRAKE PADS	Yellow stuff race
8522*	HANDBRAKE PAD SET	

### V8 Engine Block

ENGINE1*	Plate 1 No 1	RECON ENGINE EXCHANGE V8 "No Ancillaries
-ENGINE1*		CORE SURCHARGE

**The Engine Is fully rebuilt and Harmonically Balanced ...**

**We need customers old unit first.. " No Ancillaries with engine"**

CPK1	Plate 01 No 00	ENGINE CORE PLUG KIT
C26004*	Plate 01 No 02	CORE PLUG 1&1/8"
C317*	Plate 01 No 03	CORE PLUG 1"
C21631*	Plate 01 No 04	CORE PLUG REAR 7/8"
430381	Plate 01 No 08	RING DOWEL
RTC1132K	Plate 01 No 09	CAMSHAFT BEARING KIT

**Bearings must be line bored after fitting .**

**Block daimeter is 1.70" Figures mentioned in service manual refer to**

IMPORTANT - Parts are genuine except - Product codes ending with : # = Original Equipment.Supplier \* = Reproduction/Non-O.E.

## DAIMLER V8 2.5 & 250 1959-1970 Price List

PARTNO	DESCRIPTION	David Manners Ltd DAIMLER V8 2.5 & 250 1959-1970	Retail price	IncVat PRICE
	<b>finished internal diameter of bearing to camshaft journal</b>			
C23331*	Plate 01 No 00	OIL PUMP SPIND.BUSH		
C22535*	Plate 01 No 00	CYLINDER BLOCK LINER		
C4146	Plate 01 No 13	OIL PIPE COPPER WASHER.		
FW105E	Plate 01 No 15	COPPER WASHER		
FW105E*	Plate 01 No 15	COPPER WASHER		
C2296/4	Plate 01 No 17	COPPER WASHER		
C2296/4*	Plate 01 No 17	COPPER WASHER		
430366*	Plate 01 No 00	MAIN BRG.LOCKWASHER		
SH505051J	Plate 01 No 18	SETSCREW 5/16 X 5/8" UNC		
SH505051J*	Plate 01 No 18	SETSCREW 5/16 X 5/8" UNC		
C2296/7	Plate 01 No 19	COPPER WASHER		
C27413E*	Plate 01 No 20	CAMSHAFT RECON EXCH V8		
-C27413E*		SURCHARGE		
	<b>Camshaft will only work if cam bearings in engines are the later type with oil grooves in the bearings. If not, new cam bearings must be fitted ..</b>			
RTC1132K	Plate 01 No 20a	CAMSHAFT BEARING KIT V8 & DART		
	<b>Cam bearings must be line bored after fitment</b>			
	<b>Block daimeter is 1.70" Figures mentioned in service manual refer to finished internal diameter of bearing to camshaft journal</b>			
307925*	Plate 01 No 23	CAM.CHAINWHEEL second hand only .		
307363*	Plate 01 No 27	TIMING CHAIN		
EAC3629	Plate 01 No 28	HYD.CHAIN TENSIONER		
EAC3629*	Plate 01 No 28	HYD.CHAIN TENSIONER		
EAC3629#	Plate 01 No 28	HYD.CHAIN TENSIONER		
C21042	Plate 01 No 32	TIMING CHAIN COVER		
C22611*	Plate 01 No 33	TIMING COVER GASKET		
C22079	Plate 01 No 35	TAPPET BLOCK ASSY USED		
430388*	Plate 01 No 36	CAM FOLLOWER/TAPPET		
430563	Plate 01 No 37	TAPPET BALL END		
135891*	Plate 01 No 38	TAPPET CHEST GASKET		
FG105X	Plate 01 No 00	SPRING WASHER 5/16"		
C21033E*	Plate 01 No 43	CRANK & BRGS EXCHANGE .		
-C21033E*		SURCHARGE		
	<b>C21033E Crank is supplied with no mains or big end bearing , thrust washers or sludge plugs ..</b>			
C2226*	Plate 01 No 00	CRANK SPIGOT BUSH "manual cars "		
1216/14*	Plate 01 No 00	CRANK SPIGOT BUSH " automatic cars "		
C22796*	Plate 01 No 00	CRANK SLUDGE PLUG		
11228*	Plate 01 No 44	MAIN BRG SET STD		
11228/10*	Plate 01 No 44	MAIN BRG SET +10		
11228/20*	Plate 01 No 44	MAIN BRG SET +20		
11228/30*	Plate 01 No 44	MAIN BRG SET +30		
11228/40*	Plate 01 No 44	MAIN BRG SET +40		
307680/1*	Plate 01 No 48	T/WASHER STD PAIR		
C19654*	Plate 01 No 49	REAR MAIN BRG SEAL		
C20973SH	Plate 01 No 52	SINGLE CRANK PULLEY V8		
	<b>C20793SH Only fitted to Non P.A.S. cars ..</b>			
	<b>C20794SH Only fitted to P.A.S. cars..</b>			
307644E*	Plate 01 No 54	CRANK DAMPER EXCHANGE		
-307644E*		SURCHARGE		
C20911	Plate 01 No 55	DAMPER CENTRE		
C21026*	Plate 01 No 58	CRANK PULLEY NUT		
425901	Plate 01 No 60	CRANK OIL SHIELD (USED)		

IMPORTANT - Parts are genuine except - Product codes ending with : # = Original Equipment.Supplier \* = Reproduction/Non-O.E.

## DAIMLER V8 2.5 & 250 1959-1970 Price List

PARTNO	DESCRIPTION	David Manners Ltd DAIMLER V8 2.5 & 250 1959-1970	Retail price	IncVat PRICE
307332E*	Plate 01 No 61	CON ROD SET EXCH.		
-307332E*		SURCHARGE		
	<b>307332E*</b>	<b>Is a refurbished Engine set of conrods .</b>		
307332S/H	Plate 01 No 61	CON ROD SECOND HAND " Single "		
307349#	Plate 01 No 00	SMALL END BUSH		
C32344	Plate 01 No 00	BIG END BOLT		
EAC5541#	Plate 01 No 00	CON ROD NUT		
307715*	Plate 01 No 62	BIG END BRG SET STD		
307715/10*	Plate 01 No 62	BIG END BRG SET +10		
307715/20*	Plate 01 No 62	BIG END BRG SET +20		
307715/30*	Plate 01 No 62	BIG END BRG SET +30		
307715/40*	Plate 01 No 62	BIG END BRG SET +40		
307715/40#	Plate 01 No 62	BIG END BRG SET +40		
C23842/10*	Plate 01 No 63	PISTON ASSY SET +10		
C23842/20*	Plate 01 No 63	PISTON ASSY SET +20		
C23842/40*	Plate 01 No 63	PISTON ASSY SET +40		
C23842/60*	Plate 01 No 63	PISTON ASSY SET +60		
C23842/20*INS	Plate 01 No 00	INSTRUCTIONS PISTON V8 & DART		
C23837*	Plate 01 No 64	PISTON RING SET STD		
C23837/20*	Plate 01 No 64	PISTON RING SET +20		
C23837/40*	Plate 01 No 64	PISTON RING SET +40		
C27485	Plate 01 No 69	ENGINE OIL SUMP USED V8 SALOON		
C21554	Plate 01 No 71	DIPSTICK TUBE		
C23435	Plate 01 No 73	SUMP DRAIN PLUG		
C23435*	Plate 01 No 73	SUMP DRAIN PLUG		
C23435/1*	Plate 01 No 73	SUMP DRAIN PLUG OVERSIZE.		
	<b>C23435/1*</b>	<b>Has a 3/4" unf thread replacing the Original which is 5/8 unf.</b>		
C2296/1	Plate 01 No 74	COPPER WASHER		
C2296/1*	Plate 01 No 74	COPPER WASHER		
135870SH	Plate 01 No 75	SUMP BRIDGE PIECE USED .		
308402*	Plate 01 No 76	FRT SUMP SEAL		
308402*	Plate 01 No 77	RR SUMP SEAL		
C22144	Plate 01 No 79	AUTO DRIVE PLATE "AUTOMATIC"		
C8631*	Plate 01 No 00	FLYWHEEL DOWEL		
430237*	Plate 01 No 00	FLYWHEEL LOCKWASHER		
C22144	Plate 01 No 79	AUTO DRIVE PLATE V8		
C22147	Plate 01 No 80	TORQUE PLATE SPACER		
430237*	Plate 01 No 82	FLYWHEEL LOCKWASHER		
430417*	Plate 01 No 84	BANJO BOLT LONG		
430415*	Plate 01 No 85	BANJO BOLT SHORT		
C2296/7	Plate 01 No 86	COPPER WASHER		
C21455	Plate 01 No 87	OIL FILLER TUBE USED		
	<b>C21455 fitted up to Engine No. 7A.1001 and subs</b>			
C27402	Plate 01 No 87	OIL FILLER TUBE USED V8 250		
	<b>C27402 fitted from Engine No. 7K1001 and subs</b>			
431288*	Plate 01 No 89	OIL FILLER CAP		
C20842SH	Plate 01 No 92	WATER PUMP HOUSING		
430429*	Plate 01 No 93	WATER PIPE GASKET		
	<b>C27702* not required when power steering is fitted at eng no. 7A.13053 and subs</b>			
C4794	Plate 01 No 97	ENGINE MOUNTING		
C18556	Plate 01 No 97	ENGINE MOUNTING		
C18556*	Plate 01 No 97	ENGINE MOUNTING		
C18556#	Plate 01 No 97	ENGINE MOUNTING		
UFS150/7R*	Plate 01 No 00	ENGINE MTG BOLT		

IMPORTANT - Parts are genuine except - Product codes ending with ; # = Original Equipment.Supplier \* = Reproduction/Non-O.E.

## DAIMLER V8 2.5 & 250 1959-1970 Price List

PARTNO	DESCRIPTION	David Manners Ltd DAIMLER V8 2.5 & 250 1959-1970	Retail price	IncVat PRICE
JLM9676	Plate 01 No 00	FRT ENGINE MOUNT BOLT.		
FG105X	Plate 01 No 00	SPRING WASHER 5/16"		
JLM9684	Plate 01 No 00	PLAIN NUT 5/16" UNF		
CBC2517*	Plate 01 No 00	GEARBOX SPRING SEAT		
C12265*	Plate 01 No 00	G/BOX CNTR.MTG BUSH		
C45902/1	Plate 01 No 00	REAR MOUNTING SPRING		
C18447	Plate 01 No 103	RETURN SPRING		
C18733*	Plate 01 No 104	JOCKEY PULLEY		
C22139	Plate 01 No 105	DISTRIBUTOR MOUNTING BRACKET		
C25426*	Plate 01 No 112	TACHOMETER DRIVE DOG		
C16773*	Plate 01 No 113	CAMSHAFT CIRCLIP		
C14996*	Plate 01 No 114	R/COUNTER GENERATOR		
C14996E*	Plate 01 No 114	R/COUNTER GENERATOR		
-C14996E*		SURCHARGE		
C14990*	Plate 01 No 115	REV.GENERATOR O RING		
C14992*	Plate 01 No 116	REV COUNTER SCREW		
C15918*	Plate 01 No 117	GENERAT PLATE WASHER		
9990	Plate 01 No 000	ENGINE GASKET SET		
CFF160	Plate 01 No 000	FULL GASKET SET		
CCF160	Plate 01 No 000	HEAD GASKET SET		
		<b>OIL PUMP SECTION ....</b>		
C21975E*	Plate 02 No 01	OIL PUMP EXCHANGE		
-C21975E*		SURCHARGE		
430363*	Plate 02 No 03	OIL PUMP SPIRAL GEAR		
401831*	Plate 02 No 05	O/PUMP SHAFT WASHER		
C20972/1*	Plate 02 No 06	OIL PUMP GEARS PAIR		
C20972/1*	Plate 02 No 07	OIL PUMP GEARS PAIR		
C22756*	Plate 02 No 11	OIL RELIEF VALVE		
431498*	Plate 02 No 12	RELIEF VALVE SPRING		
431949*	Plate 02 No 14	OIL PUMP LOCKWASHER		
430374*	Plate 02 No 15	OIL PUMP GASKET		
		<b>OIL CLEANER SECTION.....</b>		
C20917SH	Plate 03 No 01	OIL FILTER ASSY S/H V8		
OFCK1	Plate 03 No 01a	OIL FILTER CONV KIT		
AJ82297*	Plate 03 No 01a	OIL FILTER for the conversion.		
6159*	Plate 03 No 03	OIL FILTER SPRING		
11665*	Plate 03 No 05	OIL FILTER WASHER		
11666*	Plate 03 No 06	OIL FILTER PLATE		
6158*	Plate 03 No 08	OIL FILTER BOLT SEAL		
9673*	Plate 03 No 10	OIL FILTER ELEMENT		
6883*	Plate 03 No 13	OIL FILTER HEAD SEAL		
9670SH	Plate 03 No 14	OIL FILTER HEAD USED		
430427*	Plate 03 No 15	OIL FILTER GASKET		
		<b>WATER PUMP SECTION.....</b>		
C28329N	Plate 04 No 01	WATER PUMP-NEW V8 1960 - 1969		
		C28329N is a New water pump and is supplied without pulley ...		
C28329E*	Plate 04 No 01	WATER PUMP-exchange V8 1960 - 1969		
-C28329E*		SURCHARGE		
		C28329E is a rebuilt water pump and is supplied without pulley ...		
PK5500*V8	Plate 04 No 02	WATER PUMP REP.KIT		
C8256	Plate 04 No 07	WATER PUMP THROWER		
C22798*	Plate 04 No 08	WATER PUMP IMPELLOR		
C16751	Plate 04 No 10	FAN PULLEY STUD		
C21117*	Plate 04 No 11	WATER PUMP GASKET		

IMPORTANT - Parts are genuine except - Product codes ending with : # = Original Equipment.Supplier \* = Reproduction/Non-O.E.

## DAIMLER V8 2.5 & 250 1959-1970 Price List

PARTNO	DESCRIPTION	David Manners Ltd DAIMLER V8 2.5 & 250 1959-1970	Retail price	IncVat PRICE
C20887*	Plate 04 No 12	FAN BELT		
C21025*	Plate 04 No 13	DYNAMO BELT		
C27354*	Plate 04 No 13	ALTERNATOR BELT		
NBC2215AA	Plate 04 No 14	FAN DRIVE UNIT		
NBC2215AA#	Plate 04 No 14	FAN DRIVE UNIT		
	<b>NBC2215AA should also need 4 x SH505051J &amp; 4 x C30075/2. and an EAC4382 bush as this fan drive unit is a later version...</b>			
HK014	Plate 04 No 00	WATER HOSE KIT		
HCS014	Plate 04 No 00	CLIP SET FOR HOSES		
HTP6SS	Plate 04 No 00	HEATER PIPE KIT		
	<b>CYLINDER HEAD V8 SECTION .....</b>			
C26312/1E*	Plate 5 No 01	CYLINDER HEAD EXCH. with modified valve		
-C26312/1E*		SURCHARGE		
C26312*	Plate 5 No 00	CYLINDER HEAD NEW delivery time 6 to 8 weeks		
C315	Plate 5 No 02	CORE PLUG 1&3/4"		
C315*	Plate 5 No 02	CORE PLUG 1&3/4"		
431000/1*	Plate 5 No 03	INLET VALVE GUIDE new version.		
431251/1*	Plate 5 No 04	EXHAUST VALVE GUIDE new version.		
	<b>CKG848*. Must be fitted on both inlet and exhaust valve guides.</b>			
CKG848*	Plate 5 No 00	VALVE GUIDE SEAL		
C32670*	Plate 5 No 05	EX.MANIFOLD STUD		
430742*	Plate 5 No 07	SPARK PLUG TUBE WASHER		
C22245#	Plate 5 No 08	CYLINDER HEAD GASKET		
SH505051J	Plate 5 No 09	SETSCREW 5/16 X 5/8" UNC		
C2296/7	Plate 5 No 10	COPPER WASHER		
430429*	Plate 5 No 12	WATER PIPE GASKET		
FG105X	Plate 5 No 00	SPRING WASHER 5/16"		
C21037*	Plate 5 No 13	CYLINDER HEAD BOLT		
CCF160	Plate 5 No 00	HEAD GASKET SET		
CFF160	Plate 5 No 00	FULL GASKET SET		
9990	Plate 5 No 00	ENGINE GASKET SET		
	<b>9990 .. Is an original full gasket set, minus rear main seals.</b>			
	<b>Supply 2 x C19654 main seals selling a 9990 .Valve seals not in kit</b>			
307358*	Plate 5 No 14	INLET VALVE "NOT STAINLESS STEEL "		
C26665*	Plate 5 No 15	EXHAUST VALVE " STAINLESS STEEL "		
C21687*	Plate 5 No 16	VALVE SPRING INNER		
C21688*	Plate 5 No 17	VALVE SPRING OUTER		
430452	Plate 5 No 20	V/SPRING TOP COLLAR		
430381	Plate 5 No 00	RING DOWEL		
307352	Plate 5 No 28	ROCKER INLET USED		
307353	Plate 5 No 29	ROCKER EXHAUST USED		
57110*	Plate 5 No 33	TAPPET ADJ.LOCKNUT		
430756	Plate 5 No 35	PUSH ROD EXHST.USED.		
307372SH	Plate 5 No 36	INLET MANIFOLD second hand only		
	<b>307372SH</b>	<b>Fitted from 7A.1001 to 7A.2263..</b>		
C22412	Plate 5 No 36	INLET MANIFOLD ASSY		
C32670*	Plate 5 No 37	EX.MANIFOLD STUD		
307876*	Plate 5 No 38	IN.MANIFOLD GASKET		
C20909E*	Plate 5 No 41	EXHAUST MAN.EXCH.RH V8		
-C20909E*		SURCHARGE		
C20910E*	Plate 5 No 41	EXHAUST MAN.EXCH.LH V8		
-C20910E*		SURCHARGE		
C38277	Plate 5 No 00	EX.MANIFOLD STUD		
C38277*	Plate 5 No 00	EX.MANIFOLD STUD		

IMPORTANT - Parts are genuine except - Product codes ending with : # = Original Equipment.Supplier \* = Reproduction/Non-O.E.

## DAIMLER V8 2.5 & 250 1959-1970 Price List

PARTNO	DESCRIPTION	David Manners Ltd DAIMLER V8 2.5 & 250 1959-1970	Retail price	IncVat PRICE
C30787*	Plate 5 No 00	EX.MANIFOLD NUT BRASS		
FG105X*	Plate 5 No 00	EX.MANIFOLD SPRING WASHER.		
307354*	Plate 5 No 42	EX.MANIFOLD GASKET V8 & DART		
C20848SH	Plate 5 No 43	WATER OUTLET PIPE SECOND HAND.		
430429*	Plate 5 No 44	WATER PIPE GASKET		
C27650	Plate 5 No 45	THERMOSTAT 74C		
C27650*	Plate 5 No 45	THERMOSTAT 74C		
C27650/1	Plate 5 No 45	THERMOSTAT 82C		
C27650/1#	Plate 5 No 45	THERMOSTAT 82C		
C15472	Plate 5 No 46	WATER TEMP.SENDER		
C4985*	Plate 5 No 48	THERMOSTAT GASKET		
C4985*COMP	Plate 5 No 48	THERMOSTAT COMP GASKET		
432237*	Plate 5 No 49	WATER FLANGE S/STEEL OUTLET		
C2220*	Plate 5 No 50	WATER FLANGE OUTLET GASKET		
432240*WOV	Plate 5 No 51	WATER PIPE HOSE		
C21012*	Plate 5 No 53	WATER PIPE S/STEEL		
C21170#	Plate 5 No 54	HEATER T HOSE		
C21170*S	Plate 5 No 54	HEATER T HOSE SILCONE.		
432237*	Plate 5 No 56	WATER FLANGE S/STEEL OUTLET		
C2220*	Plate 5 No 57	WATER FLANGE GASKET		
432240*WOV	Plate 5 No 58	WATER PIPE HOSE		
C20995*	Plate 5 No 60	WATER PIPE S/STEEL		
C21170#	Plate 5 No 61	HEATER T- HOSE		
C21170*S	Plate 5 No 61	HEATER T- HOSE "SILCONE" .		
431493*	Plate 5 No 63	WATER PIPE S/STEEL EARLY.		
	<b>Fitted 7A.1001 to 7A.2263</b>			
C22390*	Plate 5 No 63	WATER PIPE S/STEEL LATE		
	<b>Fitted From 7A.2264. and subs ..</b>			
C2220*	Plate 5 No 64	WATER FLANGE GASKET		
136769	Plate 5 No 65	TOP ROCKER COVER RH second hand only		
307827*	Plate 5 No 66	TOP COVER GASKET		
432136	Plate 5 No 67	R/C KNURLED NUT USED		
425280/25*	Plate 5 No 68	ROCKER COVER O RING		
431308*	Plate 5 No 00	PLUG LEAD CARRIER		
UCS525/10H*	Plate 5 No 00	LONG CARRIER SCREW		
UCS525/7H*	Plate 5 No 00	SHORT CARRIER SCREW		

### Fuel System

AUD180*	CARBURETTERS PAIR		
C25207/1	RH CARBURETTER		
	<b>WHEN BUYING C25207/1 THE CUSTOMER WILL ALSO RECEIVE AUC8155J* (COMBINED JET/DIAPHRAM) FREE OF CHARGE. THESE ARE NEW CARBS, BUT MANUFACTURED 20 OR 30 YEARS AGO, SO THE DIAPHRAGM HAS PROBABLY PERISHED.</b>		
AUD1469#	CARB.NEEDLE TZ		
AUC8155J#	CARB.MAIN JET .100"	HD6 CARBURETTER	
CRK217	CARB.REPAIR KIT	HD6 CARBURETTER	
CSK37	CARB.SERVICE KIT	HD6 CARBURETTER	
527349*	VACUUM PIPE		
C21241*	CARB FEED PIPE ASSY		
C13681#	FUEL FILTER ASSY		
11950*	FUEL FILTER SEAL		
236891J#	FUEL FILTER BOWL		
C28080*	FUEL FILTER ELEMENT GLASS BOWL TYPE		

IMPORTANT - Parts are genuine except - Product codes ending with : # = Original Equipment.Supplier \* = Reproduction/Non-O.E.



## DAIMLER V8 2.5 & 250 1959-1970 Price List

PARTNO	DESCRIPTION	David Manners Ltd DAIMLER V8 2.5 & 250 1959-1970	Retail price	IncVat PRICE
C13705*	FUEL BANJO BOLT			
C784	FIBRE WASHER			
C17565*	PETROL TANK			
C17565K	P/TANK FITTING KIT			
C3053*	P/TANK MOUNTING BUSH			
C3053*P	P/TANK POLY MOUNTING BUSH			
C8976	MTG.DISTANCE TUBE			
C8976*	MTG.DISTANCE TUBE			
NZ606041J	NYLOC NUT 3/8" UNF			
NZ606041J*	NYLOC NUT 3/8" UNF			
C23601*	PETROL CAP			
C23752*	PETROL TANK FILTER			
C26310	FILTER SEALING RING			
C26310*	FILTER SEALING RING			
BD9898*	FUEL TANK NECK SEAL			
C15476*	FUEL SENDER UNIT			
UFS313/3H*	FUEL SENDER SCREW			
C937*	P/TANK UNIT GASKET			
C937K	P/TANK FITTING KIT			
AZX1308	FUEL PUMP			
AZX1308#	FUEL PUMP			
AZX1308/1*	FUEL PUMP ELECTRONIC			
AZX1308EN#	FUEL PUMP ELECTRONIC MODERN VERSION.. " NO POINTS "			
EPK300	FUEL PUMP REPAIR KIT DUAL POLARITY PUMP			
GAC502	FUEL LINE KIT ( 4 PIECE ).			
C2708*	BOOT FLOOR GROMMET			
C11488	FUEL PIPE BANJO BOLT			
C11488#	FUEL PIPE BANJO BOLT			
AUC2141#	BANJO BOLT WASHER			
C21747*	FUEL PIPE UNION			
C3727*	FUEL PIPE CLIP			
	<b>C3727* These are a S/S. Customers need advising that they may need to modify locating slot slightly, rather than forcing them in &amp; snapping them.</b>			
C21645SH	AIR FILTER BASE	V8.. 2.5		
C21648*	AIR FILTER ELEMENT	V8.. 2.5		
C21907SH	LH AIR INTAKE PIPE	V8.. 2.5		
C21908SH	RH AIR INTAKE PIPE	V8.. 2.5		
11875#	AIR FILTER ELEMENT	V8.. 250 late		

### Clutch Components

GEARBOX4	<p>MANUAL GEARBOX 5 SPEED " Contact Salesman first ".                  New gearbox with linkage, 9.5" Clutch plate, speedo cable gear lever and gearknob.                  ratios, 1st 3.31:1, 2nd 2.08:1, 3rd 1.44:1, 4th 1:1, 5th 0.763                  Customers to use their bellhousing and clutch and slave cylinder. Propshaft will need replacing and rear mounting point will need to be fabricated                  The customer or if they can find a XJS HE or XJ12 HE                  Rear gearbox mount CAC6327 this would be ideal. The supplier has been unable to obtain a MK2 long enough to complete rear mount ...( Its a work inprogress ...</p>
----------	---

IMPORTANT - Parts are genuine except - Product codes ending with : # = Original Equipment.Supplier \* = Reproduction/Non-O.E.

# DAIMLER V8 2.5 & 250 1959-1970 Price List

PARTNO	DESCRIPTION	David Manners Ltd DAIMLER V8 2.5 & 250 1959-1970	Retail price	IncVat PRICE
	<b>This gearbox should only be fitted by a garage capable of Fabricating the rear mounting.</b>			
HK9660E	Clutch kit 216mm	" Need customers - old unit first "		
-HK9660E	SURCHARGE	" Need customers - old unit first "		
HD1099	CLUTCH RELEASE BRG			
HD3319	CLUTCH RELEASE BRG			
C29159*	CLUTCH BRG CLIP			
C8966*	Plate 06 No 00	PEDAL RETURN SPRING MOST MODELS		
C8969	Plate 06 No 04	JAGUAR PEDAL RUBBER " Daimler NLA "		
C8963*	Plate 06 No 12	PEDAL RETURN SPRING		
C8737/1	Plate 06 No 14	NYLOC NUT 1/4"UNF		
C8737/1*	Plate 06 No 14	NYLOC NUT 1/4"UNF		
WA106041J	Plate 06 No 15	PLAIN WASHER 1/4"		
C20526#	Plate 06 No 16	CLUTCH M/CYLINDER		
513123J*	Plate 06 No 18	CLUTCH BOTTLE TOP		
6593#	Plate 06 No 00	CLUTCH M/CYL KIT		
CPK005	Plate 06 No 30	CLUTCH PIPE KIT RHD		
CPK006	Plate 06 No 30	CLUTCH PIPE KIT LHD		
C11603#	Plate 06 No 31	CLUTCH FLEX.HOSE		
C11603*	Plate 06 No 31	CLUTCH FLEX HOSE		
C11603*B	Plate 06 No 31	S/STEEL BRAID HOSE		
NT606041J	Plate 06 No 32	LOCKING NUT		
NT606041J*	Plate 06 No 32	LOCKING NUT		
WE600061J	Plate 06 No 33	SHAKEPROOF WASHER		
CPK005	Plate 06 No 35	CLUTCH PIPE KIT RHD		
C29801	Plate 06 No 36	CLUTCH SLAVE CYL. from 7K.3593 and subs.		
C29801*	Plate 06 No 36	CLUTCH SLAVE CYL. from 7K.3593 and subs.		
C29801#	Plate 06 No 36	CLUTCH SLAVE CYL. fitted from 7K.3593 and		
8G8446J	Plate 06 No 40	CLUTCH SLAVE CYL.KIT		
8G8446J*	Plate 06 No 40	CLUTCH SLAVE CYL.KIT		
8G8446J#	Plate 06 No 40	CLUTCH SLAVE CYL.KIT		
NT605041J*	Plate 06 No 47	LOCKING NUT		
C24147*	Plate 06 No 47	CLUTCH ROD JOINT		
C5120*	Plate 06 No 49	C/FORK RETURN SPRING		
C5178*	Plate 06 No 50	CLUTCH SPRING		
C27428*	Plate 06 No 55	CLUTCH HOUSING V8		
C10025*	Plate 06 No 00	THROW OUT SHAFT BUSH		
C5073/587	Plate 06 No 00	C/HSG.LOCKWASHER		
C837*	Plate 06 No 00	LOCKWIRE (METER)		
C11910*	Plate 06 No 00	CLUTCH HSG.COVER.PLATE		
C18739*	Plate 06 No 56	CLUTCH HOUSING SEAL		
C20218*	Plate 06 No 60	MID ENGINE MOUNTING		
C20218*HQ	Plate 06 No 60	MID ENGINE MOUNTING		
C10940#	Plate 06 No 65	ANTI ROLL LINK BUSH "O.E."		
C10940*	Plate 06 No 65	ANTI ROLL LINK BUSH "COPY"		
C10940	Plate 06 No 65	ANTI ROLL LINK BUSH "O.E."		
C22112	Plate 06 No 66	MOUNTING BRACKET		
	<b>AUTOMATIC TRANSMISSION UNIT SECTION.....</b>			
35TC	TORQUE CONVERTER	BW MODEL 35		
-35TC	CORE SURCHARGE	EXCHANGE		
35BOXTC	AUTOGEARBOX & T/CONVERTR	BW MODEL 35		
-35BOXTC	CORE SURCHARGE			
9769*	SELECTOR SHAFT SEAL	MODEL 35 AUTO TRANS		

IMPORTANT - Parts are genuine except - Product codes ending with : # = Original Equipment.Supplier \* = Reproduction/Non-O.E.

## DAIMLER V8 2.5 & 250 1959-1970 Price List

PARTNO	DESCRIPTION	David Manners Ltd DAIMLER V8 2.5 & 250 1959-1970	Retail price	IncVat PRICE
C21009*	KICKDOWN CABLE V8 C21009* FITS V8 250 GEARBOX EG OR 3EG ONLY.			
C27146*	KICKDOWN CABLE C27146* FITS V8 IT WAS ONLY FITTED TO G/BOX 5EG/11EG.			
BAU1034J	FRONT PUMP OIL SEAL MODEL 35/65/66 AUTO			
RTC447*	REAR OIL SEAL AUTO TRANSMISSION			
9858SH	OIL PAN (2ND HAND) V8			
10345*	SUMP DRAIN PLUG MODEL 35 AUTO TRANS			
RTC1871	OIL SUMP PAN GASKET MODEL 35 AUTO TRANS			
RTC1871*	OIL SUMP PAN GASKET MODEL 35 AUTO TRANS			
RTC1871*RC	OIL SUMP PAN GASKET MODEL 35 AUTO TRANS <b>RTC1871*RC RUBBERIZED SUMP GASKETS,</b>			
11541*	GASKET SET MODEL 35 AUTO TRANS			
AEU2868J	SEALING RING KIT MODEL 65 & 66 AUTO			
AEU2868J*	SEALING RING KIT MODEL 65 & 66 AUTO			
C21420	LONG FLEX OIL HOSE			
C22144	AUTO DRIVE PLATE			

### Propshaft and Rear Axle

#### PROPELLER SHAFT SECTION..

JLM823*	PROP UNIVERSAL JOINT
JLM823#	PROP UNIVERSAL JOINT
C19827	PROPSHAFT BOLT
C19827*	PROPSHAFT BOLT
NZ606041J	PROP SHAFT NYLOC NUT 3/8" UNF
NZ606041J*	PROP SHAFT NYLOC NUT 3/8" UNF
250*	PROP CENTRE BEARING
C26579U*	PROPSHAFT UPRATED
C36791*	PROPSHAFT MOUNTING
C2C16681	RUBBER BUSH IN CENTRE BEARING PLATE
CBC1448*	RUBBER BUSH IN CENTRE BEARING PLATE

#### REAR AXLE SECTION...

3845#	DIFF CASE BEARING
3931	DIFF COVER PLATE REAR GASKET
3931*	DIFF COVER PLATE REAR GASKET
3931*COMP	DIFF COVER PLATE REAR GASKET
3845	ROLLING BEARING ON DIFF CASE
3845*	ROLLING BEARING ON DIFF CASE
3845#	ROLLING BEARING ON DIFF CASE
3936	DIFF.SHIM .005"
3937	DIFF.SHIM .010"
BAU4604J	CROWN WHEEL BOLT
3844#	ROLLER BEARING AT INNER END OF PINION
3861	DIFF PINION .SHIM .005"
3857	PINION SHIM .005"
3858	PINION SHIM .010"
3843#	OUTER PINION BEARING.
JLM614	OIL SLINGER ON PINION.
3840/1*	DIFF.PINION OIL SEAL
607183J	PINION SEAL GASKET
RTC1009A#	COMPANION FLANGE ASSEMBLY
7995*	REAR AXLE HALF SHAFT
3855	SIDE GEAR T/WASHER

IMPORTANT - Parts are genuine except - Product codes ending with : # = Original Equipment.Supplier \* = Reproduction/Non-O.E.

## DAIMLER V8 2.5 & 250 1959-1970 Price List

PARTNO	DESCRIPTION	David Manners Ltd DAIMLER V8 2.5 & 250 1959-1970	Retail price	IncVat PRICE
3837#	SHAFT FOR PINION MATE GEARS			
7993K	ROLLER BEARING, FOR HUBS. Inc outer oil seal			
7993K*	ROLLER BEARING, FOR HUBS. Inc outer oil seal			
4141*	HALF SHAFT NUT			
4142*	AXLE SHAFT WASHER			
12462*	CROWN WHEEL & PINION Ratio 4.09:1			

### Suspension Front

C23314*	Plate 07 No 04	FRT SANDWICH MOUNTING	"Copy"
C23314	Plate 07 No 04	FRT SANDWICH MOUNTING	"O.E".
C23314#	Plate 07 No 04	FRT SANDWICH MOUNTING	"O.E".
C23314*P	Plate 07 No 04	FRT SANDWICH MOUNTING	"Poly"
NZ607041	Plate 07 No 04	NUT SECURING FRT MOUNT	
SH606071J	Plate 07 No 00	SCREW SECURING MOUNTING	
C13918*	Plate 07 No 05	BOTTOM BUMP STOP	
C9004*	Plate 07 No 06	FRONT VEE MOUNTING	
C9004#	Plate 07 No 06	FRONT VEE MOUNTING	
C8675*	Plate 07 No 11	COUNTERSUNK WASHER.	
C8672	Plate 07 No 12	UPPER WISHBONE BUSH	"O.E".
C8672*	Plate 07 No 12	UPPER WISHBONE BUSH	"COPY"
C8672#	Plate 07 No 12	UPPER WISHBONE BUSH	"O.E"
C8672*P	Plate 07 No 12	UPPER WISHBONE BUSH	"POLY"
NL608041J	Plate 07 No 13	SLOTTED NUT 1/2"UNF	
NL608041J*	Plate 07 No 13	SLOTTED NUT 1/2"UNF	
C8676/1*	Plate 07 No 14	PLAIN WASHER	
CAC9938*	Plate 07 No 16	TOP BALL JOINT ASSEMBLY	
CAC9938/1*	Plate 07 No 16	TOP BALL JOINT ASSEMBLY	
CAC9938#	Plate 07 No 16	TOP BALL JOINT ASSEMBLY	
CAC9938*TRW	Plate 07 No 16	TOP BALL JOINT ASSEMBLY	
C4740*	Plate 07 No 17	CASTOR DIST.PIECE	
CBC6416/1*	Plate 07 No 18	CAMBER SHIM WASHER	
C29890*	Plate 07 No 00	TOP BALL JOINT LONG BOLT.	
BH606321J*	Plate 07 No 00	TOP BALL JOINT LONG BOLT.	
NY606041J	Plate 07 No 00	TOP BALL JOINT NUT FOR BOLT.	
C43216	Plate 07 No 00	BALL JOINT CLEAR GAITER	
C43216*	Plate 07 No 00	BALL JOINT CLEAR GAITER	
C43216*B	Plate 07 No 00	BALL JOINT BLACK GAITER	
C22970	Plate 07 No 00	GAITER CLIP RING	
C17172*	Plate 07 No 19	TOP BUMP STOP	
C8918/1	Plate 07 No 20	FT.CAMBER SHIM .064"	
C8918/3	Plate 07 No 20	FT.CAMBER SHIM .036"	
BH606121J*	Plate 07 No 21	BOLT short..	
C15328	Plate 07 No 23	LOWER WISHBONE ASSEMBLY	
C8673#	Plate 07 No 24	LOWER WISHBONE BUSH	"O.E."
C8673*P	Plate 07 No 24	LOWER WISHBONE BUSH	"POLY"
C8673*	Plate 07 No 24	LOWER WISHBONE BUSH	"COPY"
C10778*	Plate 07 No 25	LOWER FULCRUM SHAFT	
C8693/1*	Plate 07 No 26	LOWER W/BONE WASHER	
C16953*	Plate 07 No 28	FRONT ROAD SPRING	
C20989*M	Plate 07 No 34	FRT SHOCK ABSORBER	
C20989*B	Plate 07 No 34	FRT SHOCK ABSORBER	
C10996*	Plate 07 No 35	SHOCK ABSORBER TOP RUBBER BUSH	
C10996	Plate 07 No 35	SHOCK ABSORBER TOP RUBBER BUSH	

IMPORTANT - Parts are genuine except - Product codes ending with : # = Original Equipment. Supplier \* = Reproduction/Non-O.E.

## DAIMLER V8 2.5 & 250 1959-1970 Price List

PARTNO	DESCRIPTION	David Manners Ltd DAIMLER V8 2.5 & 250 1959-1970	Retail price	IncVat PRICE
C10996*P	Plate 07 No 35	SHOCK ABSORBER TOP POLY BUSH		
C11045	Plate 07 No 36	SHOCK ABSORBER TOP WASHER outer		
C11045*	Plate 07 No 36	SHOCK ABSORBER TOP WASHER outer		
JLM11906*	Plate 07 No 37	SHOCK ABSORBER top bush kit		
CCC6967	Plate 07 No 37	SHOCK ABSORBER TOP WASHER outer.		
CCC6967*	Plate 07 No 37	SHOCK ABSORBER TOP WASHER outer.		
JLM9685	Plate 07 No 38	TOP SHOCK NUT		
JLM9685*	Plate 07 No 38	TOP SHOCK NUT		
NT606041J	Plate 07 No 39	LOCKING NUT		
NT606041J*	Plate 07 No 39	LOCKING NUT		
CBC1380*	Plate 07 No 40	LOWER BALL PIN		
JLM11860	Plate 07 No 40	LOWER BALL JOINT ASSEMBLY		
CAC9937#	Plate 07 No 40	LOWER BALL JOINT ASSEMBLY		
CAC9937*	Plate 07 No 40	LOWER BALL JOINT ASSEMBLY		
CAC9937/1*	Plate 07 No 40	LOWER BALL JOINT ASSEMBLY		
CAC9937K	Plate 07 No 40	LOWER BALL JOINT FITTIG KIT.		
<b>Lower ball joint assemblies replace the original kit version they are sealed for life ...</b>				
C30953*	Plate 07 No 42	RAILKO SOCKET		
C15341	Plate 07 No 43	B/JOINT SHIM .002"		
C17175	Plate 07 No 43	B/JOINT SHIM .010"		
C15343	Plate 07 No 46	BTM B/JT L/WASHER		
C15343*	Plate 07 No 46	BTM B/JT L/WASHER		
234532J	Plate 07 No 47	GREASE NIPPLE		
234532J*	Plate 07 No 47	GREASE NIPPLE		
C43216	Plate 07 No 48	BALL JOINT CLEAR GAITER .		
C43216*	Plate 07 No 48	BALL JOINT CLEAR GAITER .		
C43216*B	Plate 07 No 48	BALL JOINT BLACK GAITER.		
C19423	Plate 07 No 51	STUB AXLE SHAFT		
C19423*	Plate 07 No 51	STUB AXLE SHAFT		
C15350	Plate 07 No 52	FRONT HUB OIL SEAL		
C15350*	Plate 07 No 52	FRONT HUB OIL SEAL		
C18842	Plate 07 No 53	WATER SHIELD		
C18843	Plate 07 No 54	WATER DEFLECTOR		
C15351	Plate 07 No 55	INNER WHEEL BEARING		
C15351#	Plate 07 No 55	INNER WHEEL BEARING		
C15352	Plate 07 No 56	OUTER WHEEL BEARING		
C19225/1*	Plate 07 No 57	RH FRONT HUB SPLINED		
C19226/1*	Plate 07 No 57	LH FRONT HUB SPLINED		
234532J	Plate 07 No 00	GREASE NIPPLE		
234532J*	Plate 07 No 00	GREASE NIPPLE		
NL609041J	Plate 07 No 00	SLOTTED NUT 9/16UNF		
NL609041J*	Plate 07 No 00	SLOTTED NUT 9/16"UNF		
C3400*	Plate 07 No 00	FRT BEARING D WASHER		
C21270*	Plate 07 No 58	DAIMLER SPINNER RH V8 OCTAG)		
C21271*	Plate 07 No 58	DAIMLER SPINNER LH V8 (OCTAG)		
C28687*	Plate 07 No 59	SPINNER 3 EARED CONTINENTAL		
C1102D	Plate 07 No 58	RH WHEEL SPINNER V8 (2 EARED)		
C1103D	Plate 07 No 58	LH WHEEL SPINNER V8 (2 EARED)		
GAC1089	Plate 07 No 59	SPINNER SAVER .for C1102D & C1103D.		
C22678/1*	Plate 07 No 62	TIE ROD ASSY ADJUST		
<b>C22678/1* Replaces all versions of Tie rods fitted. It is adjustable and will also replace the early fixed track rod end version..</b>				

IMPORTANT - Parts are genuine except - Product codes ending with : # = Original Equipment.Supplier \* = Reproduction/Non-O.E.

## DAIMLER V8 2.5 & 250 1959-1970 Price List

PARTNO	DESCRIPTION	David Manners Ltd DAIMLER V8 2.5 & 250 1959-1970	Retail price	IncVat PRICE
LN30041J*	Plate 07 No 00	GREASE NIPPLE		
EAW2270J	Plate 07 No 00	TIE ROD END GAITER		
EAW2270J*	Plate 07 No 00	TIE ROD END GAITER		
EAW2270J* <b>CLEAR</b>	Plate 07 No 00	TIE ROD END GAITER		
C29090*	Plate 07 No 65	LH NON PAS END for cars with no power steering		
-C29090*		SURCHARGE		
C8737/5	Plate 07 No 66	NYLOC NUT 1/2" UNF		
133101*	Plate 07 No 00	CENTRE TIE ROD BUSH RUBBER		
133101/1*	Plate 07 No 00	CENTRE TIE ROD BUSH "P.T.F.E. LINED"		
C29094E*	Plate 07 No 65	P.A.S.TIE ROD END RH cars with power steering		
-C29094E*		CORE SURCHARGE		
C29095E*	Plate 07 No 65	P.A.S.TIE ROD END LH for cars with power		
-C29095E*		CORE SURCHARGE		
MNA3501AA	Plate 07 No 69	ANTI ROLL BAR BRKT.		
MNA3501AA*	Plate 07 No 69	ANTI ROLL BAR BRKT.		
C14983	Plate 07 No 70	ANTI ROLL BAR BUSH		
C14983*	Plate 07 No 70	ANTI ROLL BAR BUSH		
C14983*P	Plate 07 No 70	ANTI ROLL BAR BUSH		
C14983*UR	Plate 07 No 70	ANTI ROLL BAR BUSH		
C18303	Plate 07 No 71	A/R BUSH KEEP PLATE		
C20764*	Plate 07 No 72	ANTI ROLL BAR LINK		
C10940	Plate 07 No 73	ANTI ROLL LINK BUSH		
C10940*	Plate 07 No 73	ANTI ROLL LINK BUSH		
C10940#	Plate 07 No 73	ANTI ROLL LINK BUSH		
C10996	Plate 07 No 74	ANTI ROLL LINK BUSH		
C11047*	Plate 07 No 75	BUSH DISTANCE TUBE		
C11045	Plate 07 No 76	ARB LINK BUSH WASHER		
C11045*	Plate 07 No 76	ARB LINK BUSH WASHER		
C14845E*	Plate 07 No 77	MAN.STRNG BOX RHD		
-C14845E*		SURCHARGE		
C14846E*	Plate 07 No 77	MAN.STRNG BOX LHD		
-C14846E*		SURCHARGE		
C8927E*	Plate 07 No 77	MAN.STRNG BOX RHD " HIGH RATIO "		
-C8927E*		SURCHARGE		
C8928E*	Plate 07 No 77	MAN.STRNG BOX LHD " HIGH RATIO "		
-C8928E*		SURCHARGE		
-C21837E*		SURCHARGE		
C21836E*	Plate 07 No 77	BURMAN PAS BOX EXCH. LHD		
-C21836E*		SURCHARGE		
C26018E*	Plate 07 No 77	ADWEST PAS BOX EXCH RHD		
-C26018E*		SURCHARGE		
C26019E*	Plate 07 No 77	ADWEST PAS BOX LHD		
-C26019E*		SURCHARGE		
PSK7	Plate 07 No 77	POWER STG.RACK KIT V8 RHD		
		<b>PSK7 Power steering rack conversion kit</b>		
PSK8	Plate 07 No 77	POWER STG.RACK KIT V8 LHD		
		<b>PSK8 Power steering rack conversion kit</b>		

### Suspension Rear

VRSK1	Plate 08 No 01	REAR SUSPENSION KIT conversion to coil		
C10791/2*	Plate 08 No 01	REAR ROAD SPRING		
C10844*	Plate 08 No 01a	CENTRE SPRING PAD		
C8939*	Plate 08 No 01b	REAR SPRING BUSH		

IMPORTANT - Parts are genuine except - Product codes ending with : # = Original Equipment.Supplier \* = Reproduction/Non-O.E.

## DAIMLER V8 2.5 & 250 1959-1970 Price List

PARTNO	DESCRIPTION	David Manners Ltd DAIMLER V8 2.5 & 250 1959-1970	Retail price	IncVat PRICE
C10843#	Plate 08 No 02	SPRING END PAD		
C10843*	Plate 08 No 02	SPRING END PAD		
C12343SH	Plate 08 No 03	MOUNTING PLATE "second hand"		
C10845*	Plate 08 No 04	REAR SPRING PLATE		
C10845*R	Plate 08 No 04	REAR SPRING PLATE		
C11091*	Plate 08 No 05	REAR TORQUE ARM		
C11091/1	Plate 08 No 05	TORQUE ARM COMPLETE "with bushes"		
C8949*	Plate 08 No 05a	TORQUE ARM BUSH		
C8949*P	Plate 08 No 05a	TORQUE ARM BUSH "Poly"		
C14140*	Plate 08 No 06	PANHARD ROD		
C14140K	Plate 08 No 06	COMPLETE PANHARD ROD KIT		
C11996*	Plate 08 No 07	PANHARD ROD ADJ.END		
NT609041	Plate 08 No 08	LOCKNUT 9/16" UNF nut for adjusting end on		
NT609041*	Plate 08 No 08	LOCKNUT 9/16" UNF nut for adjusting end on		
C10995*	Plate 08 No 09	PANHARD ROD BUSH		
C11048*	Plate 08 No 10	PANHARD BUSH TUBE		
C11042*	Plate 08 No 11	OUTER WASHER THICK		
C11043*	Plate 08 No 12	INNER WASHER THIN		
C8737/5	Plate 08 No 00	NYLOC NUT 1/2" UNF		
C8737/5*	Plate 08 No 00	NYLOC NUT 1/2" UNF		
C20990*B	Plate 08 No 13	REAR SHOCK ABSORBER		
82-1044	Plate 08 No 13	REAR SHOCK ABS KONI		
C10996	Plate 08 No 14	RUBBER BUFFER AT TOP OF SHOCK .		
C10996*P	Plate 08 No 14	RUBBER BUFFER AT TOP OF SHOCK .		
C10996*	Plate 08 No 14	RUBBER BUFFER AT TOP OF SHOCK .		
C11045	Plate 08 No 15	SHOCK INNER WASHER		
C11045*	Plate 08 No 15	SHOCK INNER WASHER		
CCC6967	Plate 08 No 16	SHOCK INNER WASHER		
CCC6967*	Plate 08 No 16	SHOCK OUTER WASHER		
JLM9685	Plate 08 No 17	TOP SHOCK LOCK NUT .		
NT606041J	Plate 08 No 18	LOCKING NUT		

### Wheels

XW455S	PAINTED WIRE WHEEL	early . 5" x 15" 72 spokes
XW455C/2	CHROME WIRE WHEEL	early. 5" x 15" 72 spokes
XW455-ST/3	STAINLES WIRE WHEEL	early 5" x 15" 72 spokes
XW5769C/3	CHROME WIRE WHEEL	6" x 16" 72 spokes
XW5923C/3	CHROME WIRE WHEEL	7" x 15" 72 spokes
XW472S	PAINTED WIRE WHEEL	late 5" x 15" 72 spokes
XW472C/1	CHROME WIRE WHEEL	late 5" x 15" 72 spokes
XW472-ST/3	S/STEEL WIRE WHEEL	late 5" x 15" 72 spokes
XWCLEANER	WIRE WHEEL CLEANING KIT	
RB15	WIRE WHEEL 15 INCH RIM BANDS	
7796*	LONG CHROME SPOKE	
7801*	SHORT CHROME SPOKE	
C21260*	CHROME HUB CAP	V8 2.5 EARLY
C27134	HUB CAP LARGE	V8 250 LATE.
C21256#	HUBCAP BADGE DAIMLER	
C22583	HUB CAP BADGE CLIP	
C22583*	HUB CAP BADGE CLIP	
C21983*	WHEEL RIMBELLISHER	MOST MODELS 15"

### Braking System

#### FRONT BRAKE SECTION .....

IMPORTANT - Parts are genuine except - Product codes ending with : # = Original Equipment, Supplier \* = Reproduction/Non-O.E.

## DAIMLER V8 2.5 & 250 1959-1970 Price List

PARTNO	DESCRIPTION	David Manners Ltd DAIMLER V8 2.5 & 250 1959-1970		Retail price	IncVat PRICE
CC01/V	Plate 09 No 01	VENTED CALIPER KIT Vented Discs			
10821#	Plate 09 No 02	BRAKE PAD SET O.E.			
10821GS	Plate 09 No 02	BRAKE PAD SET Green stuff road.			
10821RPC	Plate 09 No 02	BRAKE PAD SET Red stuff road and race			
10821YS	Plate 09 No 02	BRAKE PAD SET Yellow stuff race only			
7718*	Plate 09 No 03	PAD KEEP PLATE			
7719*	Plate 09 No 04	BRAKE PAD RETAINER			
SH604071J	Plate 09 No 05	BOLT 1/4 X 7/8" UNF			
SH604071J*	Plate 09 No 05	BOLT 1/4 X 7/8" UNF			
JLM9683*	Plate 09 No 06	HEX NUT 1/4" UNF			
C724	Plate 09 No 07	SHAKEPROOF WASHER			
C724*	Plate 09 No 07	SHAKEPROOF WASHER			
8777#	Plate 09 No 08	PISTON+CYL FRONT			
12319#	Plate 09 No 08a	FRT CALIPER SEALS			
12319*	Plate 09 No 08a	FRT CALIPER SEALS			
7720*	Plate 09 No 09	PISTON CYLINDER BOLT.			
C724*	Plate 09 No 10	SHAKEPROOF WASHER			
C724	Plate 09 No 10	SHAKEPROOF WASHER			
6911*	Plate 09 No 11	BRAKE BLEED SCREW . "single"			
C13198*	Plate 09 No 13	CALIPER SHIM 0.005			
C13199*	Plate 09 No 13	CALIPER SHIM 0.020			
C13686#	Plate 09 No 00	FRONT BRAKE HOSE O.E.			
C13686*	Plate 09 No 00	FRONT BRAKE HOSE COPY			
C13686*B	Plate 09 No 00	FRONT S/STEEL HOSE " Goodridge "			
C3910*	Plate 09 No 00	BRAKE HOSE NUT			
C3911*	Plate 09 No 00	BRAKE HOSE L/WASHER			
C23484*	Plate 09 No 14	FRONT BRAKE DISC			
C23484/I*	Plate 09 No 14	FRONT BRAKE DISC			
C32533	Plate 09 No 00	BRAKE DISC BOLT			
C32533*	Plate 09 No 00	BRAKE DISC BOLT			
NV607041	Plate 09 No 00	LOCKNUT for C32533*			
NV607041J*	Plate 09 No 00	LOCKNUT for C32533*			
<b>REAR BRAKE SECTION .....</b>					
CC01/RC	Plate 10 No 00	REAR CALIPER UPGRADE			
10821#	Plate 10 No 02	BRAKE PADS REAR STD O.E.			
10821GS	Plate 10 No 03	BRAKE PADS REAR Green stuff road			
10821RPC	Plate 10 No 02	BRAKE PADS REAR Red stuff road and			
10821YS	Plate 10 No 02	BRAKE PADS REAR Yellow stuff race only.			
7718*	Plate 10 No 03	PAD KEEP PLATE			
7719*	Plate 10 No 04	BRAKE PAD RETAINER			
7720*	Plate 10 No 05	RETAINER BOLT			
JLM9683*	Plate 10 No 06	HEX NUT 1/4" UNF			
C724	Plate 10 No 07	SHAKEPROOF WASHER			
C724*	Plate 10 No 07	SHAKEPROOF WASHER			
8816#	Plate 10 No 08	PISTON+CYL REAR			
12604#	Plate 10 No 08a	REAR CALIPER KIT			
12604*	Plate 10 No 08a	REAR CALIPER KIT			
7720*	Plate 10 No 09	PISTON CYLINDER BOLT			
C724	Plate 10 No 10	SHAKEPROOF WASHER			
C724*	Plate 10 No 10	SHAKEPROOF WASHER			
6911*	Plate 10 No 11	BRAKE BLEED SCREW "single"			
C13198*	Plate 10 No 13	CALIPER SHIM 0.005			
C13199*	Plate 10 No 13	CALIPER SHIM 0.020			

IMPORTANT - Parts are genuine except - Product codes ending with : # = Original Equipment.Supplier \* = Reproduction/Non-O.E.



## DAIMLER V8 2.5 & 250 1959-1970 Price List

PARTNO	DESCRIPTION	David Manners Ltd DAIMLER V8 2.5 & 250 1959-1970	Retail price	IncVat PRICE
C16262*	Plate 10 No 00	CALIPER BOLT		
C837*	Plate 10 No 00	LOCKWIRE (METER)		
8522*	Plate 10 No 15a	HANDBRAKE PAD SET		
8522K	Plate 10 No 00	HANDBRAKE REPAIR KIT		
8938	Plate 10 No 17	HANDBRAKE SPRING PIN		
8940	Plate 10 No 19	H/B RETURN SPRING		
8940*	Plate 10 No 19	H/B RETURN SPRING		
8836*	Plate 10 No 20	HANDBRAKE PAWL		
8837	Plate 10 No 21	H/B TENSION SPRING		
8837*	Plate 10 No 21	H/B TENSION SPRING		
8838	Plate 10 No 22	SPRING ANCHOR PIN		
8980*	Plate 10 No 23	H/B ADJUSTING NUT		
8840	Plate 10 No 24	H/B FRICTION SPRING		
8840*	Plate 10 No 24	H/B FRICTION SPRING		
8841	Plate 10 No 25	HANDBRAKE HINGE PIN		
8841*	Plate 10 No 25	HANDBRAKE HINGE PIN		
8845	Plate 10 No 30	H/B ADJUSTING BOLT		
8845*	Plate 10 No 30	H/B ADJUSTING BOLT		
8016	Plate 10 No 32	HANDBRAKE CAL.BOLT		
8016*SS	Plate 10 No 32	HANDBRAKE CAL.BOLT		
8846*	Plate 10 No 33	HANDBRAKE FORK		
8014*	Plate 10 No 00	H/B BOLT LOCKWASHER		
8016	Plate 10 No 00	HANDBRAKE CAL.BOLT		
8522*	Plate 10 No 00	HANDBRAKE PAD SET		
C13065*	Plate 10 No 36	REAR BRAKE DISC		
C13065/1*	Plate 10 No 36	REAR BRAKE DISC		
C32533	Plate 10 No 00	BRAKE DISC BOLT for C13065.		
C32533*	Plate 10 No 00	BRAKE DISC BOLT for C13065.		
C13687*	Plate 10 No 00	REAR BRAKE HOSE Copy		
C13687#	Plate 10 No 00	REAR BRAKE HOSE O.E.		
C13687*B	Plate 10 No 00	REAR BRAKE HOSE " Goodridge"		
C3910*	Plate 10 No 00	BRAKE HOSE NUT		
C3911*	Plate 10 No 00	BRAKE HOSE L/WASHER		
<b>BRAKE CONTROLS AND HYDRAULICS SECTION .</b>				
C23638*	Plate 11 No 1	B/FLUID RESERVOIR ROUND LONG		
C23632*	Plate 11 No 1a	B/LEVEL INDICATOR		
C23627*	Plate 11 No 0	BRAKE RESER.COVER		
C5173*	Plate 11 No 1b	RESERVOIR BRACKET		
C18717*	Plate 11 No 2	RESERVOIR CON HOSE		
C20072/5*	Plate 11 No 2	RESERVOIR FLUID HOSE		
JHC200101	Plate 11 No 0	HYDRAULIC HOSE CLIP		
C21427*	Plate 11 No 3	BRAKE RESERVOIR PIPE		
C27160#	Plate 11 No 4	BRAKE MASTER CYLINDER		
C27160*	Plate 11 No 4	BRAKE MASTER CYLINDER		
<b>C27160 Is a later Master cylinder and if fitted on cars from chassis number 1A.1001 to 1A.7355 and 1A.20001 to 1A.20366, you will also need a kit to make it fit .. GAC1099KIT</b>				
GAC1099KIT	Plate 11 No 4	KIT FOR C27160# ON EARLY CARS ..		
605164*	Plate 11 No 4a	BRAKE M/CYL.REP.KIT		
11608#	Plate 11 No 4a	B/MASTER CYL REP KIT		
11608*	Plate 11 No 4a	B/MASTER CYL REP KIT		
C13247	Plate 11 No 20	BRAKE PEDAL RHD MANUAL		
C8963*	Plate 11 No 22	PEDAL RETURN SPRING		

IMPORTANT - Parts are genuine except - Product codes ending with : # = Original Equipment.Supplier \* = Reproduction/Non-O.E.

## DAIMLER V8 2.5 & 250 1959-1970 Price List

PARTNO	DESCRIPTION	David Manners Ltd DAIMLER V8 2.5 & 250 1959-1970	Retail price	IncVat PRICE
C8966*	Plate 11 No 22A	PEDAL RETURN SPRING		.....
C6876*	Plate 11 No 24	BRK.PDL.RUBBER AUTO		
C8969*	Plate 11 No 24 a	JAGUAR PEDAL RUBBER manual cars		
		<b>C8969* Have "J" on pedal . The daimler ones are NLA ..</b>		
C19612E	Plate 11 No 25	BRAKE SERVO EXCH.		
-C19612E		CORE SURCHARGE		
8055#	Plate 11 No 00	BRAKE SERVO VACUUM REP.KIT		
C19612E	Plate 11 No 25	BRAKE SERVO EXCH.		
-C19612E		CORE SURCHARGE		
LE10117	Plate 11 No 25	BRAKE SERVO 3:1 +KIT		
		<b>LE10117 Comes with all mounting brackets and fittings</b>		
LR18230	Plate 11 No 25	BRAKE SERVO 4.25:1 no fittings		
109548*	Plate 11 No 00	SERVO "L" BRACKET for LR18230		
110590*	Plate 11 No 00	SERVO "P" BRACKET for LR18230		
JHC200301	Plate 11 No 30	CLIP FOR SERVO HOSE		
GB5523	Plate 11 No 32	COPPER BRAKE PIPE SET V8 RHD		
GB5523K	Plate 11 No 32	COPPER BRAKE PIPE SET V8 RHD		
		<b>No 33-No 34- No 35- No 36- No 43- No 44- No 45- all in Kit GB5523. GL5523.</b>		
GL5523	Plate 11 No 32	COPPER BRAKE PIPE SET V8 LHD		
GL5523K	Plate 11 No 32	COPPER BRAKE PIPE SET V8 LHD		
233243J*	Plate 11 No 37	WIRING GROMMET		
C13686#	Plate 11 No 38	FRONT BRAKE HOSE O.E.		
C13686*	Plate 11 No 38	FRONT BRAKE HOSE Copy		
C13686*B	Plate 11 No 38	S/STEEL BRAID HOSE "Goodridge"		
C3910*	Plate 11 No 39	BRAKE HOSE NUT		
C3911*	Plate 11 No 40	BRAKE HOSE L/WASHER		
NT606041J	Plate 11 No 41	LOCKING NUT		
NT606041J*	Plate 11 No 41	LOCKING NUT		
C726	Plate 11 No 42	SHAKEPROOF WASHER		
C13687#	Plate 11 No 46	REAR BRAKE HOSE O.E.		
C13687*	Plate 11 No 46	REAR BRAKE HOSE Copy		
C13687*B	Plate 11 No 46	S/STEEL BRAID HOSE "Goodridge".		
C3910*	Plate 11 No 47	BRAKE HOSE NUT		
C3911*	Plate 11 No 48	BRAKE HOSE L/WASHER		
C11239#	Plate 11 No 49	B/HOSE COPPER WASHER		
C13685*	Plate 11 No 50	3 WAY BRAKE UNION		
C5023*	Plate 11 No 00	BRAKE PIPE CLIP		
C7860*	Plate 11 No 00	BRAKE PIPE CLIP ON AXLE ..		
		<b>RESERVACUM TANK FOR BRAKE SERVO.....</b>		
C24910		BRAKE VACUUM TANK		
C24910*		BRAKE VACUUM TANK		
C24913*		BRAKE VAC.TANK GUARD		
C27306*		BRK.VAC.VALVE BRASS		
C27306/1*		BRAKE VACUUM VALVE		
JLM1455M*		AIR VACUUM HOSE(MTR)		
C15512*		MAIN H/BRAKE CABLE		
C19495*		AXLE BRAKE CABLE RH		
C19496*		AXLE BRAKE CABLE LH		
C16660#		HANDBRAKE SWITCH		

### Steering and Controls

#### STEERING COMPONENTS .....

PSK7	POWER STG.RACK CONVERSION KIT V8 RHD
PSK8	POWER STG.RACK CONVERSION KIT V8 LHD

IMPORTANT - Parts are genuine except - Product codes ending with : # = Original Equipment,Supplier \* = Reproduction/Non-O.E.

## DAIMLER V8 2.5 & 250 1959-1970 Price List

PARTNO	DESCRIPTION	David Manners Ltd DAIMLER V8 2.5 & 250 1959-1970	Retail price	IncVat PRICE
C14845E*	MAN.STRNG BOX RHD	Ratio 20.3 to 1 Standard .		
-C14845E*	CORE UNIT	EXCHANGE		
C14846E*	MAN.STRNG BOX LHD	Ratio 20.3 to 1 Standard .		
-C14846E*	CORE UNIT	EXCHANGE		
C8927E*	MAN.STRNG BOX RHD	Ratio 17.6 to 1		
-C8927E*	CORE UNIT	EXCHANGE		
C8928E*	MAN.STRNG BOX LHD	Ratio 17.6 to 1 High Ratio		
-C8928E*	CORE UNIT	EXCHANGE		
-C21837E*	CORE UNIT	EXCHANGE		
C21836E*	BURMAN PAS BOX EXCH. LHD			
-C21836E*	CORE UNIT	EXCHANGE		
8316*	P.A.S.BOX SEAL KIT			
-C25376E*	CORE UNIT	EXCHANGE		
C25377E*	HALE PAS BOX	LHD		
-C25377E*	CORE UNIT	EXCHANGE		
C26018E*	ADWEST PAS BOX RHD			
-C26018E*	CORE UNIT	EXCHANGE		
C26019E*	ADWEST PAS BOX LHD			
-C26019E*	CORE UNIT	EXCHANGE		
11026	EXTERN.PAS SEAL KIT	(LATE-TYPE)		
11026*	EXTERN.PAS SEAL KIT	(LATE-TYPE)		
11027	INTERN.PAS SEAL KIT	(LATE-TYPE)		
11027*	INTERN.PAS SEAL KIT	(LATE-TYPE)		
C27391E*	PAS OIL PUMP EXCH			
-C27391E*	CORE SURCHARGE	PAS OIL PUMP EXCH		
10236*	PAS PUMP KIT	HOBOURN		
C16189/1SH	P.A.S.RESERVOIR S/H			
7752*	P.A.S PUMP FILTER			
5426*	STG COLUMN UJ			
C23592/3	STEERING .COL.BUSHES PAIR			
<b>BELOW ARE ARANGE OF MOTOLITA WODD &amp; LEATHER STEERING WHEELS .</b>				
MLW1087-14	STG WHEEL 14"	MK3 WIDE SLOT FLAT		
MLW1087-15	STG WHEEL 15"	MK3 WIDE SLOT FLAT		
MLW1088-14	STG WHEEL 14"	MK3 WIDE SLOT DISHED		
MLW1088-15	STG WHEEL 15"	MK3 WIDE SLOT DISHED		
MLW1092-15	STG WHEEL 15"	MK10 FLAT		
MLW1093-14	STG WHEEL 14"	MK3 THIN SLOT DISH		
MLW1093-15	STG WHEEL 15"	MK3 THIN SLOT DISHED		
MLW1094-14	STG WHEEL 14"	MK3 THIN SLOT FLAT		
MLW1094-15	STG WHEEL 15"	MK3 THIN SLOT FLAT		
MLW1094-16	STG WHEEL 16"	MK3 THIN SLOT FLAT		
MLW1095-14	STG WHEEL 14"	WALNUT MK9 HOLES FLAT		
MLW1095-15	STG WHEEL 15"	WALNUT MK9 HOLES FLAT		
MLW1095-15W	STG WHEEL 15"	WALNUT 4 SPOKE FLAT		
MLW1096-14	STG WHEEL 14"	MAHOG MK9 HOLES FLAT		
MLW1096-15	STG WHEEL 15"	MAHOG MK9 HOLES FLAT		
MLW1097-14	STG WHEEL 14"	WALNUT MK9 THIN SLOT FLAT		
MLW1097-15	STG WHEEL 15"	WALNUT MK9 THIN SLOT FLAT		
MLW1098-14	STG WHEEL 14"	WALNUTMK9 THIN SLOT DISHED		
MLW1098-15	STG WHEEL 15"	WALNUTMK9 THIN SLOT DISHED		
MLW1099-14	STG WHEEL 14"	MAHOG MK9 HOLES DISHED		
MLW1099-15	STG WHEEL 15"	MAHOG MK9 HOLES DISHED		
MLW1	SMALL BILLET CAP	WITH LOGO RECESS		
MLW3	SMALL BILLET HORN	WITH BADGE		

IMPORTANT - Parts are genuine except - Product codes ending with : # = Original Equipment,Supplier \* = Reproduction/Non-O.E.

## DAIMLER V8 2.5 & 250 1959-1970 Price List

PARTNO	DESCRIPTION	David Manners Ltd DAIMLER V8 2.5 & 250 1959-1970	Retail price	IncVat PRICE
MLW5	SMALL BILLET CAP PLAIN			
MLW7	SMALL BILLET HORN SMOOTH FINISH			
MLWTR	TOP RING & SCREW KIT VARIOUS			

### Cooling System

C27470E*	Plate 13 No 01	RADIATOR-RECORED V8 MANUAL
-C27470E*		SURCHARGE
C27181E*	Plate 13 No 01	RADIATOR-RECORED V8 AUTOMATIC
-C27181E*		SURCHARGE
C18460#	Plate 13 No 02	RADIATOR CAP 4LBS
C18484	Plate 13 No 02	RADIATOR CAP 9LBS
C18484#	Plate 13 No 02	RADIATOR CAP 9LBS
C8975*	Plate 13 No 03	RADIATOR MTG PAD
C8976	Plate 13 No 04	MTG.DISTANCE TUBE
C8976*	Plate 13 No 04	MTG.DISTANCE TUBE
C12222*	Plate 13 No 05	RADIATOR FIXING BOLT
C726	Plate 13 No 05	SHAKEPROOF WASHER
NY606041J	Plate 13 No 00	NYLOC NUT 3/8" UNF
C4439/1*	Plate 13 No 00	RADIATOR DRAIN TAP
C784	Plate 13 No 00	FIBRE WASHER
CZK4308J	Plate 13 No 12	GROMMET ON CONTROL ROD
C24964*	Plate 13 No 15	RADIATOR FAN COWL
NT605041J*	Plate 13 No 16	NUT
C725	Plate 13 No 16	SHAKEPROOF WASHER
C725*	Plate 13 No 16	SHAKEPROOF WASHER
C27182*WOV	Plate 13 No 19	TOP HOSE
HK014	Plate 13 No 19a	WATER HOSE KIT
JHC201001	Plate 13 No 20	HOSE CLIP
C21389*WOV	Plate 13 No 21	BOTTOM HOSE
JHC201001	Plate 13 No 22	HOSE CLIP
C19798/9	Plate 13 No 23	RAD OVERFLOW HOSE
JZP100036	Plate 13 No 24	CLIP SECURING OVERFLOW PIPE.
C21991R*	Plate 13 No 00	HEATER ASSEMBLY RECON
-C21991R*		SURCHARGE
C15513*	Plate 13 No 00	HEATER MATRIX
HCS014	Plate 13 No 20	CLIP SET FOR HK014
HK014	Plate 13 No 19a	WATER HOSE KIT
<b>The following are all the rubber hoses fitted to V8 Saloon</b>		
C27182*WOV	Plate 13 No 00	TOP HOSE
C21170#	Plate 13 No 00	HEATER T HOSE
C21170*S	Plate 13 No 00	HEATER T HOSE
C27070*WOV	Plate 13 No 00	HEATER HOSE
C16655*WOV	Plate 13 No 00	HEATER ELBOW HOSE
C41351/2*WOV	Plate 13 No 00	HEATER HOSE
432240*WOV	Plate 13 No 00	WATER PIPE HOSE
C21389*WOV	Plate 13 No 21	BOTTOM HOSE
C28329N	Plate 13 No 00	WATER PUMP NEW
C20887*	Plate 13 No 00	FAN BELT
C21025*	Plate 13 No 00	DYNAMO BELT
C27354*	Plate 13 No 00	ALTERNATOR BELT
NBC2215AA	Plate 13 No 00	FAN DRIVE UNIT
NBC2215AA#	Plate 13 No 00	FAN DRIVE UNIT

IMPORTANT - Parts are genuine except - Product codes ending with : # = Original Equipment.Supplier \* = Reproduction/Non-O.E.

## DAIMLER V8 2.5 & 250 1959-1970 Price List

PARTNO	DESCRIPTION	David Manners Ltd DAIMLER V8 2.5 & 250 1959-1970	Retail price	IncVat PRICE
<b>Exhaust Fittings</b>				
MEX001	MILS STEEL EXHAUST SYSTEM "ALUMINISED"	V8 SALOON		
FEX001	STAINLESS STEEL FALCON EXHAUST SYSTEM	V8 SALOON		
EFK1	SUNDRY EX.FITTINGS			
EFK1/1	BASIC EX.FITTING KIT			
6203986	M/S RH FRONT PIPE			
6203987	M/S LH FRONT PIPE			
6603989	M/S RH SILENCER ASSY			
6603990	M/S LH SILENCER ASSY			
DRS0034	POLISHED TRIM			
FSJR0072	Stainless steal	RH FRONT PIPE		
FSJR0073	Stainless steal	LH FRONT PIPE		
FSJR0082	Stainless steal	SIDE BALANCE PIPE two required		
FSJR0074	Stainless steal	CENTRE BALANCE PIPE		
FSJR0092	Stainless steal	RH REAR SECTION		
FSJR0093	Stainless steal	LH REAR SECTION		
DRS0034	Stainless steal	POLISHED TRIM		
C8397*	EXHAUST MOUNTING	Straight mount		
JLM9542*	EXHAUST MOUNTING	Right angle mount		
EBC9388*	EXHAUST FLANGE SEAL			
GEX9008	EXHAUST CLAMP 48MM	4 x required		
GEX9003	EXHAUST CLAMP 35MM	2 x required		
C17916*	EX.MANIFOLD NUT			
C2369*	EX.MANIFOLD STUD			

### Body Underframe

5137*	Plate	14	No	1	FRONT CROSSMEMBER
5137*R	Plate	14	No	1	FRONT CROSSMEMBER
4130*	Plate	14	No	2	CROSSMEMBER CLOS.PANEL
4128*	Plate	14	No	3	FRONT OUTRIGGER RH
4129*	Plate	14	No	3	FRONT OUTRIGGER LH
6583*	Plate	14	No	4	REINFORCING CHANNEL RH/LH...
6741*	Plate	14	No	5	UPPER SPRING CLAMP
6741*R	Plate	14	No	5	UPPER SPRING CLAMP
8933*R	Plate	14	No	6	PANHARD ROD BRACKET COMPLETE
8113*	Plate	14	No	16	REAR WHEEL ARCH RH
MRK30ARH	Plate	14	No	16a	OUTER WHEEL ARCH REP
MRK30BRH	Plate	14	No	16b	INNER FWD WHEEL ARCH REP
MRK30CRH	Plate	14	No	16c	INNER CTL WHEEL ARCH REP
MRK30DRH	Plate	14	No	16d	INNER RR WHEEL ARCH REP
8114*	Plate	14	No	16	REAR WHEEL ARCH LH
MRK30ALH	Plate	14	No	16a	OUTER WHEEL ARCH REP
MRK30BLH	Plate	14	No	16b	INNER FWD WHEEL ARCH REP
MRK30CLH	Plate	14	No	16c	INNER CTL WHEEL ARCH REP
MRK30DLH	Plate	14	No	16d	INNER RR WHEEL ARCH REP
7220*	Plate	14	No	23	RADIATOR COWL LH
7219*	Plate	14	No	24	RADIATOR COWL RH
MR0017RH	Plate	14	No	25a	RH FRT FLOOR SECTION ONLY
MR0017LH	Plate	14	No	25a	LH FRT FLOOR SECTION ONLY
7003*R	Plate	14	No	28	INNER SILL LH

IMPORTANT - Parts are genuine except - Product codes ending with : # = Original Equipment.Supplier \* = Reproduction/Non-O.E.

## DAIMLER V8 2.5 & 250 1959-1970 Price List

PARTNO	DESCRIPTION	David Manners Ltd DAIMLER V8 2.5 & 250 1959-1970		Retail price	IncVat PRICE
7032*R	Plate 14 No 28	INNER SILL LH			
MRK46LH	Plate 14 No 30	LH REAR SEAT PAN REPAIR			
MRK46RH	Plate 14 No 30a	RH REAR SEAT PAN REPAIR			
4104*	Plate 14 No 37	SPARE WHEEL WELL			
8119*	Plate 14 No 40	RH TONNEAU PANEL			
8120*	Plate 14 No 40	LH TONNEAU PANEL			
4127*	Plate 14 No 41	LWR REAR REINFORCEMENT PANEL			
6038*	Plate 14 No 42	BOOT LOCK PANEL			
7079*	Plate 14 No 46	RH LONG LONGITUDINAL			
7079S*	Plate 14 No 46a	RH SHORT LONGITUDINL			
7080*	Plate 14 No 46	LH LONG. LONGITUDINAL			
7080S*	Plate 14 No 46a	LH SHORT LONGITUDINAL			
6736*	Plate 14 No 47	REAR JACK POINT RH			
6737*	Plate 14 No 47	REAR JACK POINT LH			
6739*	Plate 14 No 48	FRONT JACK POINT LH			
6739*R	Plate 14 No 48	FRONT JACK POINT LH			
6738*	Plate 14 No 48	FRONT JACK POINT RH			
6738*R	Plate 14 No 48	FRONT JACK POINT RH			
6723*	Plate 14 No 49	SPRING HANGER			
6584*	Plate 14 No 00	LWR RAD MTG BKT RH			
6585*	Plate 14 No 00	LWR RAD MTG BKT LH			

### Body Panels

MR0021LH	Plate 15 No 5a	D POST REPAIR LH			
MR0021RH	Plate 15 No 5a	D POST REPAIR RH			
4109*R	Plate 15 No 6	RH OUTER SILL PANEL			
4110*R	Plate 15 No 6	LH OUTER SILL PANEL			
10529*	Plate 15 No 0	BAFFLE PANEL INSIDE FRT WING RH			
10530*	Plate 15 No 0	BAFFLE PANEL INSIDE FRT WING LH			
6721*R	Plate 15 No 9A	RAD ACCESS PANEL			
MR0032RH	Plate 15 No 9B	NOSE REPAIR PANEL RH			
MR0032LH	Plate 15 No 9B	NOSE REPAIR PANEL LH			
11141*	Plate 15 No 9D	FRONT WING RH			
11142*	Plate 15 No 9D	FRONT WING LH			
MR0015LH	Plate 15 No 9E	FRONT WING LHR 1/2			
MR0015RH	Plate 15 No 9E	FRONT WING RHR 1/2			
MR0012RH	Plate 15 No 9F	FRONT RH W/ARCH REP			
MR0012LH	Plate 15 No 9F	FRONT LH W/ARCH REP			
BD12855*	Plate 15 No 00	SLIDE RETURN SPRING			
BD12842*	Plate 15 No 00	BONNET CATCH PEG			
BD12852*	Plate 15 No 00	BONNET PEG FINISHER			
MR0033RH	Plate 15 No 13a	REAR WING REPAIR RH MK2/V8			
MR0033LH	Plate 15 No 13a	REAR WING REPAIR LH MK2/V8			
MR0028C	Plate 15 No 15	REAR VALANCE V8 2.5			
MR0028E	Plate 15 No 15	REAR VALANCE V8 250			
6627*	Plate 15 No 20	GRILLE SADDLE PANEL			
6665*	Plate 15 No 21	F/WING CAPPING STRIP			
6602*	Plate 15 No 23	CROWS FOOT RH			
6602*R	Plate 15 No 23	CROWS FOOT RH			
6603*	Plate 15 No 23	CROWS FOOT LH			
6603*R	Plate 15 No 23	CROWS FOOT LH			
6604*	Plate 15 No 24	RH GUSSET PANEL			
6605*	Plate 15 No 24	LH GUSSET PANEL			

IMPORTANT - Parts are genuine except - Product codes ending with : # = Original Equipment.Supplier \* = Reproduction/Non-O.E.

## DAIMLER V8 2.5 & 250 1959-1970 Price List

PARTNO	DESCRIPTION	David Manners Ltd DAIMLER V8 2.5 & 250 1959-1970	Retail price	IncVat PRICE
5144	Plate 15 No 00	BONNET HINGE RH		
MR0016LHF	Plate 15 No 28	LH FRONT DOOR SKIN	"Doors are NLA "	
MRK16LHF	Plate 15 No 28	LH FRONT DOOR SKIN	"Doors are NLA "	
MR0016RHF	Plate 15 No 28	RH FRONT DOOR SKIN	"Doors are NLA "	
MRK16RHF	Plate 15 No 28	RH FRONT DOOR SKIN	"Doors are NLA "	
MR0016RHF	Plate 15 No 28	RH FRONT DOOR SKIN	"Doors are NLA "	
MRK16DBLHF	Plate 15 No 00	FRT DOOR BOTTOM REP		
MRK16DBRHF	Plate 15 No 0	FRT DOOR BOTTOM REP		
BD17034*	Plate 15 No 00	DOOR HINGE BOLT		
8165*	Plate 15 No 00	DOOR HINGE PHILIP'S HEAD SCREW		
8167*	Plate 15 No 00	CHECK STRAP FRONT		
BD18297*	Plate 15 No 31	W/REGULATOR LHF		
MR0016RHR	Plate 15 No 34	RH REAR DOOR SKIN	"Doors are NLA "	
MRK16RHR	Plate 15 No 34	RH REAR DOOR SKIN	"Doors are NLA "	
MR0016LHR	Plate 15 No 34	LH REAR DOOR SKIN	"Doors are NLA "	
MRK16LHR	Plate 15 No 34	LH REAR DOOR SKIN	"Doors are NLA "	
MRK16DBLHR	Plate 15 No 00	REAR DOOR BOTTOM REP		
MRK16DBRHR	Plate 15 No 00	REAR DOOR BOTTOM REP		
5112RP	Plate 15 No 40	BOOT LID SKIN REPAIR		
BD17011*	Plate 15 No 42	RH SPAT PANEL		
BD17012*	Plate 15 No 42	LH SPAT PANEL		
BD17011/2GRP	Plate 15 No 42	SPATS-PAIR (FLARED)		
MR0029ALH	Plate 15 No 42	LH COOMBS SPAT (STEEL)		
MR0029ARH	Plate 15 No 42	RH COOMBS SPAT (STEEL)		
6123*	Plate 15 No 41a	SPAT DZUS FASTENER		

### Body Fittings

BD17172E*	Plate 16 No 01	FRT WIDE BUMPER EXCH	1960 to 1967	
-BD17172E*		SURCHARGE		
BD23851E*	Plate 16 No 01	FRT THIN BUMPER EXCH	1967 to 1969	
-BD23851E*		SURCHARGE		
BD10985E*	Plate 16 No 06	FRONT LH & RH OVERIDER	1960 to 1967,	
BD26636*	Plate 16 No 06	RHF OVERIDER	1967 to 1969	
BD26636E*	Plate 16 No 06	RHF OVERIDER EXCH	1967 to 1969	
-BD26636E*		SURCHARGE		
BD26635*	Plate 16 No 07	LHF OVERIDER	1967 to 1969	
BD26635E*	Plate 16 No 07	LHF OVERIDER EXCH	1967 to 1969	
-BD26635E*		SURCHARGE		
BD17180E*	Plate 16 No 01	REAR WIDE BUMPER EXCH	1960 to 1967	
-BD17180E*		SURCHARGE		
BD30144E*	Plate 16 No 01	REAR THIN BUMPER EXCH	1967 to 1969	
-BD30144E*		SURCHARGE		
209*	Plate 16 No 08	OVERIDER BEADING		
BD10982*	Plate 16 No 15	FRT.NO.PLATE CARRIER	1960 to 1967	
BD30654*	Plate 16 No 15	FRT.NO.PLATE CARRIER	1967 to 1969	
BD9875*	Plate 16 No 17	HEADLAMP TEARDROP		
PFS106*	Plate 16 No 18	SPIRE CLIP		
BD24188E*	Plate 16 No 19	RAD.GRILLE ASSY EXCH V8		
-BD24188E*		SURCHARGE		
		<b>BD24188E* Complete surround with left and right vanes</b>		
BD24189E*	Plate 16 No 19	GRILLE SURROUND ONLY EXCH V8		
-BD24189E*		SURCHARGE		
BD24190	Plate 16 No 20	GRILLE INSERT LH V8		

IMPORTANT - Parts are genuine except - Product codes ending with : # = Original Equipment,Supplier \* = Reproduction/Non-O.E.

## DAIMLER V8 2.5 & 250 1959-1970 Price List

PARTNO	DESCRIPTION	David Manners Ltd DAIMLER V8 2.5 & 250 1959-1970	Retail price	IncVat PRICE
BD24191E*	Plate 16 No 21	GRILLE INSERT RH V8		
-BD24191E*		SURCHARGE		
BD10224	Plate 16 No 00	BONNET BUFFER		
BD10224*	Plate 16 No 00	BONNET BUFFER		
BD4920/3*	Plate 16 No 00	BONNET REAR RUBBER		
BD10221*	Plate 16 No 24	BONNET RELEASE CABLE		
C4443*	Plate 16 No 25	BONNET CABLE ADJSTER		
TRIM0117	Plate 16 No 27	SUNVISORS TRIMMED DAIMLER V8 (GREY)		
TRIM0118	Plate 16 No 27	SUNVISORS TRIMMED DAIMLER V8		
TRIM0116	Plate 16 No 27	SUNVISORS UNTRIMMED DAIMLER V8		
GAC1069	Plate 16 No 00	SUN VISOR CHROME MK2/V8		
BD13642/3*	Plate 16 No 00	SUN VISOR SCREW		
BD29575*	Plate 16 No 29	WINDSCREEN CLEAR		
BD29575T*	Plate 16 No 29	WINDSCREEN GREEN TINT		
BD29575T*H	Plate 16 No 29	WINDSCREEN "HEATED" TINTED		
BD21942*	Plate 16 No 29a	HEATED REAR SCREEN "CLEAR"		
BD22742*	Plate 16 No 29a	HEATED REAR SCREEN "TINTED"		
BD26888*	Plate 16 No 30	FRONT SCREEN RUBBER		
BD48847*	Plate 16 No 31	SCREEN INSERT RUBBER		
BD16992*	Plate 16 No 30a	REAR SCREEN RUBBER		
BD5366/1*	Plate 16 No 34	SCREEN JOINT CLIP		
BD24427*	Plate 16 No 35	TAX HOLDER DAIMLER		
C32350*	Plate 16 No 36	INTERIOR MIRROR		
C20697/1*	Plate 16 No 00	MIRROR BASE PLATE		
VQM1	Plate 16 No 00	QTR.LIGHT MIRRORS PR		
C16114*	Plate 16 No 00	ROUND WING MIRROR		
C16114/1	Plate 16 No 00	RECTANG/WING MIRROR		
BD26707*	Plate 16 No 39	AIR DUCT HOSE 36" long .		
BD23569*	Plate 16 No 40	DEMISTER ELBOW HOSE		
BD26707*	Plate 16 No 41	AIR DUCT HOSE 36" long .		
BD23569*	Plate 16 No 42	DEMISTER ELBOW HOSE		
BD9876*	Plate 16 No 45	SCUTTLE VENT RUBBER		
GAC1041	Plate 16 No 47	SET OF FOUR SILL TREAD PLATES		
BD4951*	Plate 16 No 48	RUBBER BUFFER FRT DOOR		
<b>BODY CHROME BEADINGS</b>				
MLD001	Plate 16 No 00	CHROME MOULDING SET 1960 to 1967		
MLD001*	Plate 16 No 00	CHROME MOULDING SET 1960 to 1967		
MLD004*	Plate 16 No 00	CHROME MOULDING SET 1967 on 1969.		
All moulding kits do not contain the centre bonnet chrome as it is NLA.				
MLD004* Does not contain the 4 late upper door chromes . NLA..				
MLD001K	Plate 17 No 00	MOULDING CLIP SET		
BD17126*	Plate 17 No 01	LH REAR DRIP MLDG		
BD17127*	Plate 17 No 02	RH REAR DRIP MLDG		
BD17128*	Plate 17 No 03	LH FRONT DRIP MLDG		
BD17129*	Plate 17 No 4	RH FRONT DRIP MLDG		
BD17139*	Plate 17 No 5	CENTRE GUTTER CLIP		
BD23927*	Plate 17 No 6	"D" BONNET BADGE		
BD9718*	Plate 17 No 9	LH SIDE BONNET MOULD		
BD9719*	Plate 17 No 10	RH BONNET SIDE MOULD		
BAC5298	Plate 17 No 11	MOULDING STAPLE CLIP		
BAC5298*	Plate 17 No 11	MOULDING STAPLE CLIP		
BD9720*	Plate 17 No 12	LH SCUTTLE MOULDING		
BD9721*	Plate 17 No 13	RH SCUTTLE MOULDING		
BD17087*	Plate 17 No 15	BTM LH FRT DOOR MLDG		

IMPORTANT - Parts are genuine except - Product codes ending with : # = Original Equipment.Supplier \* = Reproduction/Non-O.E.



## DAIMLER V8 2.5 & 250 1959-1970 Price List

PARTNO	DESCRIPTION	David Manners Ltd DAIMLER V8 2.5 & 250 1959-1970	Retail price	IncVat PRICE
BD17088*	Plate 17 No 16	BTM RH FRT DOOR MLDG		
BD4919/13*	Plate 17 No 18	T HEAD BOLT		
BD16720*	Plate 17 No 19	LHF DOOR HANDLE		
BD16721*	Plate 17 No 20	RHF DOOR HANDLE		
GAC1031	Plate 17 No 20a	CAR SET BARREL LOCK SET		
GAC1032	Plate 17 No 20b	DOOR LOCK BARREL SET		
BD31273*	Plate 17 No 21	B/C POST FINISHER		
BD17086*	Plate 17 No 22	BTM REAR DOOR MLD LH/RH		
BD17497*	Plate 17 No 24	CLIP		
RA608123J	Plate 17 No 24 a	BLIND RIVET		
BD16722*	Plate 17 No 25	LHR DOOR HANDLE		
BD16723*	Plate 17 No 26	RHR DOOR HANDLE		
BD9725*	Plate 17 No 27	LHR WING MOULDING		
BD9726*	Plate 17 No 27	RHR WING MOULDING		
BD26706/1*	Plate 17 No 29	POP RIVET & CLIP		
BD17093*	Plate 17 No 30	LHF TOP DOOR MOULDING	up to 1967 .	
BD17094*	Plate 17 No 30	RHF TOP DOOR MOULDING	up to 1967	
+BD25962E*		SURCHARGE		
BD25963E*	Plate 17 No 30	RH TOP DOOR MOULDING	from 1967 to	
+BD25963E*	CORE	EXCHANGE		
BD17090*	Plate 17 No 35	TOP B/C POST MOULD		
BD17091*	Plate 17 No 36	LH/UP REAR DOOR MLD		
BD17092*	Plate 17 No 37	RH/UP REAR DOOR MLD		
BD17497*	Plate 17 No 38	CLIP		
BD24520*	Plate 17 No 00	DAIMLER MOTIF V8		
BD24521*	Plate 17 No 00	V8 MOTIF V8		
BD32126*	Plate 17 No 00	250 MOTIF V8 250		
BD17737*	Plate 17 No 38	SIGNS.CO.UKDISC BRAK		
<b>INTERIOR TRIM SECTION .....</b>				
BD19725*	CUBBY BOX RHD			
BD19726*	CUBBY BOX LHD			
TRIM0115	FULL TRIM KIT DAIMLER V8			
<b>REQUIRED INFO PRIOR TO ORDER LHD or RHD,MANUAL or AUTO COLOUR, 9 or 16 PLEATS (IF 16 PLEATS, PERFORATED OR PLAIN)</b>				
TRIM0116	SUNVISORS UNTRIMMED DAIMLER V8			
TRIM0117	SUNVISORS TRIMMED DAIMLER V8 (GREY)			
TRIM0118	SUNVISORS TRIMMED DAIMLER V8 (BEIGE)			
BD23946BE	HEADLINING BEIGE			
BD23946GN	HEADLINING GREEN			
BD23946GY	HEADLINING GREY			
BD23946PAD	HEADLINING PAD			
BD18039BK	BOOT MAT BLACK			
BD18039GY	BOOT MAT GREY			
BD18039RD	BOOT MAT RED			
BD11605BEI	BEIGE . FURFLEX CAR SET			
BD11605BLE	BLUE . FURFLEX CAR SET			
BD11605BLK	BLACK. FURFLEX CAR SET			
BD11605GRN	GREEN . FURFLEX CAR SET			
BD11605GRY	GREY. FURFLEX CAR SET			
BD11605RED	RED . FURFLEX CAR SET			
BD11605TAN	TAN FURFLEX CAR SET			
GAC1025	BLACK BOOT TRIM PANEL PAIR			
GAC1025G	GREY BOOT TRIM PANEL PAIR			
GAC1025R	RED BOOT TRIM PANEL PAIR			

IMPORTANT - Parts are genuine except - Product codes ending with : # = Original Equipment.Supplier \* = Reproduction/Non-O.E.

# DAIMLER V8 2.5 & 250 1959-1970 Price List

PARTNO	DESCRIPTION	David Manners Ltd DAIMLER V8 2.5 & 250 1959-1970	Retail price	IncVat PRICE
--------	-------------	--	--------------	--------------

## Body Seals

### LISTING OF RUBBER SEALS .....

DSK1111	FULL BODY RUBBER SET
209*	OVERIDER BEADING
3446*	H/LAMP DUST EXCLUDER
3488*	NO.PLATE LENS GASKET
3489*	NO.PLATE LIGHT SEAL M
8059*	FRONT FLASHER RUBBER
8083*	REAR LENS SEAT.GSKT
8669*	SIDELAMP SEAL.RING
9403*	HEADLAMP GASKET
9721*	REAR LAMP RUBBER
BD10224	BONNET BUFFER
BD10224*	BONNET BUFFER
BD14100/1*	BOOT LID RUBBER SEAL
BD16992*	REAR SCREEN RUBBER
BD17048*	FRT QTR LT RUBBER LH
BD17049*	FRT.QTR.LT.RUBBER RH
BD17072*	QTR.LIGHT RUBBER
BD17847/1*	SPAT RUBBER
BD26888*	FRONT SCREEN RUBBER
BD4321*	PETROL FLAP BUFFER
BD48847*	SCREEN INSERT RUBBER
BD4920/3*	BONNET REAR RUBBER
BD4951*	DOOR/BONNET BUFFER
BD6581*	NO.PLATE RUBBER PLUG
BD9876*	SCUTTLE VENT RUBBER
BD9898*	FUEL TANK NECK SEAL
BD9949/1*	REAR BUMPER RUBBER
C4928*	JACKING POINT PLUG
DAC1585/2	NO.PLATE PLINTH SEAL
DAC1585/2*	NO.PLATE PLINTH SEAL
DSK0100	DOOR RUBBER SET

## Electrical

C20626E*	Plate 18 No 01	DYNAMO 22716 C40L
-C20626E*		SURCHARGE
C25073E	Plate 18 No 01	ALTERNATOR 11 A.C.
-C25073E		SURCHARGE
ACK/V8250	Plate 18 No 01	ALTERNATOR CON KIT "Up-Grade"
C28439*	Plate 18 No 01	ALTERNATOR SHIELD " V8 250"
C21025*	Plate 18 No 00	DYNAMO BELT
C27354*	Plate 18 No 00	ALTERNATOR BELT
C27375*	Plate 18 No 00	ALTERNATOR MTG.BRKT
C27375/1*	Plate 18 No 00	ALTERNATOR MTG.BRKT
		<b>C27375/1* This bracket will let you fit a modern Alternator to the car..</b>
C28439*	Plate 18 No 00	ALTERNATOR SHIELD
C8786E*	Plate 18 No 04	STARTER MOTOR M418G
-C8786E*		SURCHARGE
C8786HT*	Plate 18 No 04	HIGH TORQUE STARTER
C20367*	Plate 18 No 06	STARTER SOLENOID "Push button version "
C30287*	Plate 18 No 06	STARTER SOLENOID "Solid button version"

IMPORTANT - Parts are genuine except - Product codes ending with : # = Original Equipment.Supplier \* = Reproduction/Non-O.E.

## DAIMLER V8 2.5 & 250 1959-1970 Price List

PARTNO	DESCRIPTION	David Manners Ltd DAIMLER V8 2.5 & 250 1959-1970			Retail price	IncVat PRICE
C8749*	Plate 18 No 08	IGNITION COIL	Screw in - connection			
C5451*	Plate 18 No 09	COIL H.T.LEAD NUT				
136104E*	Plate 18 No 11	DISTRIBUTOR - EXCH	does not come with cap.			
-136104E*		SURCHARGE				
C11906*	Plate 18 No 12	DISTRIBUTOR CAP NUT				
136104/1#	Plate 18 No 13	DISTRIBUTOR CAP				
262703A*	Plate 18 No 14	BRUSH & SPRING				
136104/2#	Plate 18 No 15	ROTOR ARM				
136104/4#	Plate 18 No 16	CONTACT POINTS				
136104/3#	Plate 18 No 17	CONDENSER				
9712*	Plate 18 No 00	ADV/RETARD SPRINGS				
136104/5#	Plate 18 No 11a	VACUUM UNIT				
136104/5*	Plate 18 No 11a	VACUUM UNIT				
136104/5E*	Plate 18 No 11a	VACUUM UNIT EXCH.				
-136104/5E*		SURCHARGE				
2755*	Plate 18 No 00	DISTRIBUTOR BEARING				
527349*	Plate 18 No 19	VACUUM PIPE				
AZX1308	Plate 18 No 21	FUEL PUMP				
AZX1308#	Plate 18 No 21	FUEL PUMP				
AZX1308EN#	Plate 18 No 21	FUEL PUMP ELECTRONIC				
EPK300	Plate 18 No 00	FUEL PUMP REPAIR KIT DUAL POLARITY				
AUB6106J	Plate 18 No 23	TWIN F/PUMP POINTS				
AUB6106J*	Plate 18 No 23	TWIN F/PUMP POINTS				
C18287#	Plate 18 No 28	VOLTAGE REGULATOR	RB340 @ 25 AMPS.			
C18287/30#	Plate 18 No 28	VOLTAGE REGULATOR	RB340 @ 30 AMPS.			
C22253*	Plate 18 No 28	ALT.CONTROL BOX	fitted with Alermator .			
C22253#	Plate 18 No 28	ALT.CONTROL BOX	fitted with Alermator .			
C16510#	Plate 18 No 31	FUSE BOX ASSEMBLY				
C39572#	Plate 18 No 00	35 AMP FUSE				
C13932#	Plate 18 No 00	50 AMP FUSE				
C21267*	Plate 18 No 32	FUSE BOX COVER				
C5549*	Plate 18 No 33	FUSEBOX COVER KNOB				
C15785*	Plate 19 No 2	DASH THUMB SCREW				
C25937	Plate 19 No 5	DASH LIGHT FILTER				
C15916*	Plate 19 No 6	LEGEND FINISHER				
		<b>C15916* is brushed stainless steel- original was chrome</b>				
148876J#	Plate 19 No 7	VOLTAGE STABILISER				
C15609*	Plate 19 No 10	INDICATION STRIP RHD				
C15610*	Plate 19 No 10	INDICATION STRIP LHD				
C15454#	Plate 19 No 11	IGNITION SWITCH	1960 to 1967.			
BD10610*	Plate 19 No 12	LOCK BARREL & KEYS				
C15667	Plate 19 No 13	IGN.SWITCH L/PLATE				
C15447*	Plate 19 No 15	H/L.SWITCH ESCUTCHON				
C15449*	Plate 19 No 15	H/L.SWITCH ESCUTCHON FOR USA				
C15452*	Plate 19 No 16	HOLLOW BOLT				
C15451	Plate 19 No 17	NUT ON HOLLOW BOLT				
ATJ2066	Plate 19 No 20	STARTER SWITCH				
ATJ2066#	Plate 19 No 20	STARTER SWITCH				
C15760#	Plate 19 No 21	PANEL LIGHTS SWITCH				
C15760/1#	Plate 19 No 21	PANEL LIGHTS SWITCH				
C15589	Plate 19 No 22	HEATER FAN SWITCH				
C15589#	Plate 19 No 22	HEATER FAN SWITCH				
C15456*	Plate 19 No 23	WINDSCREEN WIPER SWITCH.				

IMPORTANT - Parts are genuine except - Product codes ending with : # = Original Equipment.Supplier \* = Reproduction/Non-O.E.

## DAIMLER V8 2.5 & 250 1959-1970 Price List

PARTNO	DESCRIPTION	David Manners Ltd DAIMLER V8 2.5 & 250 1959-1970	Retail price	IncVat PRICE
C15759	Plate 19 No 24	WINDSCREEN WASHER SWITCH.		
C15760#	Plate 19 No 25	MAP .SWITCH		
C15760/1#	Plate 19 No 25	MAP .SWITCH		
C15760#	Plate 19 No 26	INTERIOR .SWITCH		
C15760/1#	Plate 19 No 26	INTERIOR .SWITCH		
C25678E*	Plate 19 No 27	AMMETER EXCH. for cars with Dynamo fitted		
-C25678E*		SURCHARGE		
C27309E*	Plate 19 No 27	AMMETER EXCH. fitted with Alternator		
-C27309E*		SURCHARGE		
C11724*	Plate 19 No 28	CHOKE LIGHT ASSY		
C15592*	Plate 19 No 30	ESCUTCHEON HEAT/CHOKE		
BD11802*	Plate 19 No 31	CHOKE CONTROL DECAL		
C21373*	Plate 19 No 36	HEATER/CHOKE CABLE		
C21373*	Plate 19 No 36	HEATER/CHOKE CABLE		
C18641E*	Plate 19 No 42	OIL PRESS GAUGE EXCH		
-C18641E*		SURCHARGE		
C15474	Plate 19 No 43	OIL PRESSURE SENDER		
C15474#	Plate 19 No 43	OIL PRESSURE SENDER		
C16661#	Plate 19 No 45	RED WARNING LIGHT		
C19637*	Plate 19 No 47	BRAKE ESCUTCHEON		
C16660#	Plate 19 No 48	HANDBRAKE SWITCH		
C15475E*	Plate 19 No 49	FUEL GAUGE EXCH.		
-C15475E*		SURCHARGE		
C18640E*	Plate 19 No 50	WATER TEMP GAUGE Vin number required		
-C18640E*		SURCHARGE		
C29876E*	Plate 19 No 50	WATER TEMP.GAUGE Vin number required		
-C29876E*		SURCHARGE		
C15472	Plate 19 No 51	WATER TEMP.SENDER		
C15600E*	Plate 19 No 52	SPEEDOMETER MPH Ratio 4.55:1		
-C15600E*		SURCHARGE		
C15907E*	Plate 19 No 52	SPEEDOMETER KPH Ratio 4.27:1		
-C15907E*		SURCHARGE		
C15602E*	Plate 19 No 52	SPEEDOMETER MPH Ratio 4.55:1		
-C15602E*		SURCHARGE		
C15604E*	Plate 19 No 52	SPEEDOMETER MPH Ratio 4.27:1		
-C15604E*		SURCHARGE		
C15909E*	Plate 19 No 52	SPEEDOMETER KPH Raito 4.27:1		
-C15909E*		SURCHARGE		
C15929*	Plate 19 No 54	SPEEDO CABLE 66" RHD..		
C15932*	Plate 19 No 54	SPEEDO CABLE 96" LHD		
9720E*	Plate 19 No 55	REV. COUNTER POSS+EARTH		
-9720E*		SURCHARGE		
11579E*	Plate 19 No 55	REV.COUNTER NEG-EARTH		
-11579E*		SURCHARGE		
10488/1E*	Plate 19 No 56	QUARTZ TIME CLOCK MK2/V8/E-TYPE		
-10488/1E*		SURCHARGE		
C14996*	Plate 19 No 57	REV COUNTER GENERAT		
C14996E*	Plate 19 No 57	REV COUNTER GENERAT		
-C14996E*		SURCHARGE		
C11677*	Plate 19 No 59	CIGAR LIGHTER		
C15476*	Plate 19 No 60	FUEL SENDER UNIT		
C937K	Plate 19 No 61	P/TANK FITTING KIT		
C937*	Plate 19 No 61	P/TANK UNIT GASKET		
AVB127*	Plate 19 No 62	INTERIOR LAMP SWITCH.		

IMPORTANT - Parts are genuine except - Product codes ending with ; # = Original Equipment.Supplier \* = Reproduction/Non-O.E.

## DAIMLER V8 2.5 & 250 1959-1970 Price List

PARTNO	DESCRIPTION	David Manners Ltd DAIMLER V8 2.5 & 250 1959-1970	Retail price	IncVat PRICE
C23877*	Plate 20 No 00	HEADLAMP ASSY RHD		
500929*	Plate 20 No 01	OUTER HEADLAMP RIM		
6513*	Plate 20 No 02	HEADLAMP RIM SCREW		
515218J#	Plate 20 No 05	HEADLAMP INNER RIM 7"		
54522342	Plate 20 No 7a	HEADLAMP BUCKET 7"		
54522342*	Plate 20 No 7a	HEADLAMP BUCKET 7"		
GAC4023LUCAS	Plate 20 No 9	LUCAS LAMP SET RHD WITH PILOT		
LUB328LUCAS	Plate 20 No 9	HEADLAMP RHD NO PILOT		
LUB362LUCAS	Plate 20 No 9	HEADLAMP LHD WITH PILOT LIGHT		
LUB383LUCAS	Plate 20 No 9	HEADLAMP RHD AND PILOT		
LUB384LUCAS	Plate 20 No 9	HEADLAMP LHD H4 + PIL VARIOUS		
LUB801	Plate 20 No 9	H4 HEADLAMP RHD "PAIR" 7" WITH PILOT		
LUB802	Plate 20 No 9	H4 HEADLAMP LHD "PAIR" 7" WITH PILOT		
LUB319LUCAS	Plate 20 No 9	HEADLAMP LHD WITHOUT NO PILOT		
BAU2111*	Plate 20 No 10	HEADLAMP HARNESS		
BAU2110*	Plate 20 No 10	HEADLAMP HARNESS		
BHM7058J*	Plate 20 No 11	HEADLAMP ADJUSTER KIT		
BHM7058J#	Plate 20 No 11	HEADLAMP ADJUSTER KIT		
9403*	Plate 20 No 12	HEADLAMP GASKET		
3446*	Plate 20 No 13	HEADLAMP DUST EXCLUDER		
C2639#	Plate 20 No 14	HEADLAMP DIP SWITCH "Early"		
RTC432J#	Plate 20 No 14	HEADLAMP DIPSWITCH "three terminals"		
CI4929*	Plate 20 No 16	FRONT SIDELAMP ASSY		
C4549/3*	Plate 20 No 16b	FRT SIDE LAMP SCREW		
C4691*	Plate 20 No 17	INDICATOR LENS FOR SIDE LAMP		
C4098/2*	Plate 20 No 18	SPRING CLIP FOR LENS		
8080#	Plate 20 No 19	REAR FLASHER LENS		
8089#	Plate 20 No 20a	REAR FLASHER LENS "U.S.A. only "		
8286*	Plate 20 No 21	LAMP LENS SHIELD		
8287*	Plate 20 No 22	LENS MOUNTING PLATE		
8174*	Plate 20 No 23	REAR LENS JOINT CLIP MK.		
8082*	Plate 20 No 24	REAR LENS SCREW		
8083*	Plate 20 No 25	REAR LENS SEAT.GSKT		
6538#	Plate 20 No 00	BULB HOLDER		
DBC11383#	Plate 20 No 27	STOP/TAIL BULB		
8085*	Plate 20 No 29	LH REAR LAMP BASE		
8087*	Plate 20 No 29	RH REAR LAMP BASE		
9721*	Plate 20 No 30	REAR LAMP RUBBER		
C16062	Plate 20 No 31	BRAKE LIGHT SWITCH		
5322*	Plate 20 No 32	FLASHER LENS & RIM "AMBER"		
7667*	Plate 20 No 32	FLASHER LENS & RIM "CLEAR"		
5324*	Plate 20 No 33	FRONT FLASHER LENS		
C15430*	Plate 20 No 36	FRONT FLASHER LAMP		
C15431*	Plate 20 No 36	FRONT FLASHER LAMP "CLEAR LENS"		
8059*	Plate 20 No 37	FRONT FLASHER RUBBER		
JLM9552	Plate 20 No 38	FLASHER UNIT		
JLM9552#	Plate 20 No 38	FLASHER UNIT		
10008*	Plate 20 No 39	NUMBER PLATE CHROME PLINTH		
3489*	Plate 20 No 40	NO.PLATE LIGHT SEAL		
9719	Plate 20 No 42	REVERSE LAMP LENS		
3488*	Plate 20 No 43	NO.PLATE LENS GASKET		
RTC1150*	Plate 20 No 45	INHIBITOR SWITCH		
C22255*	Plate 20 No 48	HORN ASSY LOW NOTE		

IMPORTANT - Parts are genuine except - Product codes ending with : # = Original Equipment.Supplier \* = Reproduction/Non-O.E.

## DAIMLER V8 2.5 & 250 1959-1970 Price List

PARTNO	DESCRIPTION	David Manners Ltd DAIMLER V8 2.5 & 250 1959-1970	Retail price	IncVat PRICE
C22254*	Plate 20 No 49	HORN ASSY HIGH NOTE		
GGE103	Plate 20 No 49	HORN ASSY HIGH NOTE		
GGE104	Plate 20 No 48	HORN ASSY LOW NOTE		
C17338*	Plate 20 No 52	HORN RELAY6RA RELAY		
C18979*	Plate 20 No 53	CHROME HORN RING "Late version "		
C22271	Plate 20 No 54	PLASTIC HORN COVER "Late version "		
C22273	Plate 20 No 56	HORN PUSH SPRING		
C25255*	Plate 20 No 58	FLASH SWITCH vin required early		
C25255/1*	Plate 20 No 58	INDICATOR ARM		
C25555	Plate 20 No 58	FLASH SWITCH vin required late		
C25555#	Plate 20 No 58	FLASH SWITCH vin required late		
C16792*	Plate 20 No 59	UPPER STEERING COWL		
C16792/1*	Plate 20 No 59a	TOP COWL WINDOW		
C20792*	Plate 20 No 60	LOWER STEERING COWL		
C20735*	Plate 20 No 62	FOGRANGER LAMP ASSY		
C15892*	Plate 20 No 70	FOGLAMP EMBELLISHER		
C15486*	Plate 20 No 71	MAP LIGHT		
VWVK1	Plate 20 No 72	W/SCREEN WIPER KIT " up-grade "		
-C13503E*		SURCHARGE		
C13504E*	Plate 20 No 72	WIPER MOTOR LHD		
-C13504E*		SURCHARGE		
8697*	Plate 20 No 78	WIPER ARM RHD		
8698*	Plate 20 No 78	WIPER ARM LHD		
C17004*	Plate 20 No 00	WASHER BOTTLE ASSY EARLY "Glass"		
C25438*	Plate 20 No 00	WASHER BOTTLE ASSY LATE "Plastic"		
TKC2279#	Plate 20 No 00	WASHER BOTTLE ASSY "not original"		
BD21942*	Plate 20 No 00	HEATED REAR SCREEN "Clear"		
C26782*	Plate 20 No 81a	BATTERY TRAY PLASTIC		
C10640/1*	Plate 20 No 83	BATTERY TRAY DRAIN		
C10186*	Plate 20 No 84	BATTERY STRAP		
C10186/1*	Plate 20 No 84a	NEGATIVE EARTH PLATE		
C10186/2*	Plate 20 No 84b	POSITIVE EARTH PLATE		
C10188/1*	Plate 20 No 85	BATTERY STRAP RUBBER		
C10187*	Plate 20 No 86	BATTERY STRAP BOLT		
C28363*	MAIN HARNESS	V8 2.5 DYNAMO		
C28362*	MAIN HARNESS	V8 250 ALTERNATOR		
C15460*	RH BODY SIDE HARNESS			
C15461*	LH BODY SIDE HARNESS			
JL178	LH BODY SIDE HARNESS			
	JL178	Is for use on cars with heated rear window.		
C15790*	CENTRE PANEL HARNESS	1959 to 1967		
C25609*	CENTRE PANEL HARNESS	1968 to 1970		
C15668*	BOOT LID HARNESS			
JL216	INT.LIGHTS HARNESS	4 PCS		
JL217	FRONT LIGHTS HARNESS.			
C27102*	OVERDRIVE HARNESS			
JL179	AUTO.TRANS HARNESS			
GAC1022	RUBBER GROMMET SET			
C21235*	STARTER MOTOR CABLE V8			

### Tools

C993\* TYRE VALVE TOOL BRASS

IMPORTANT - Parts are genuine except - Product codes ending with : # = Original Equipment.Supplier \* = Reproduction/Non-O.E.

## DAIMLER V8 2.5 & 250 1959-1970 Price List

PARTNO	DESCRIPTION	David Manners Ltd DAIMLER V8 2.5 & 250 1959-1970	Retail price	IncVat PRICE
C5444*	DISTRIB SCREWDRIVER			
C5587*	FEELER GAUGE			
C4595*	9/16X5/8 AF SPANNER.			
C13269*	GREASE GUN			
GAC2057X	WIRE WHEEL BRUSH			
C28687*	SPINNER 3 EARED Continental spinners "			
JD1D	HUB PULLER			
JEC14	HUB REMOVAL ADAPT WIRE WHEEL HUB			
GAC2057X	WIRE WHEEL BRUSH WIRE WHEELS			
C27290*	COPPER/HIDE HAMMER WIRE WHEELS			
GAC1089	SPINNER SAVER			
C10659*	LIFTING JACK ASSY			
C2954*	JACK HANDLE			
C13620*	DUNLOP BLDR TIN/TUBE			

### Accessories

JTP1013	PARTS/TECH DVD DAIMLER VARIANTS
C2A1025	CHAMOIS LEATHER
GAC1095	DAIMLER WALLET BLUE DAIMLER MODELS
XWCLEANER	W/W CLEANING KIT WIRE WHEELS
RIS001B	RUN IN STICKER BLUE MOST MODELS
RIS001R	RUN IN STICKER RED MOST MODELS
ST156	LUCAS COIL LABEL MOST MODELS
GAC9971X	OLD R.A.C BADGE RETRO
GAC9972X	OLD A.A BADGE RETRO
GAC1000	LEATHER CONDITIONER
GAC1001	LEATHER CLEANER
C2S1643#	CONNOLLY HIDE FOOD ALL MODELS
CASTROL	CASTROL 20/50 OIL 5 LITRE CAN
/BG20016	SWING BAG BROWN
C2A1024	DE-ICER
C2A1062	FABRIC CLEANER
JLM2082	TORCH HIGH POWER
	<b>OILS AND FLUIDS</b>
MILLERS1	10W40 S/S 5 LT ENGINE OIL
MILLERS2	MAN GEAR OIL EP80-90 1 LTR
MILLERS3	BLUE ANTIFREEZE 1 LTR
MILLERS4	ATF-UN DEX II GEAR OIL 1 LTR
MILLERS5	5W40 F/S 5 LT ENGINE OIL
MILLERS7	CTV 20W/50 S/S 5 LT ENGINE OIL
MILLERS11	5W30 C3 5LT ENGINE OIL
MILLERS12	RUNNING IN OIL 5LT ENGINE OIL
MILLERS13	LEAD REPLACEMENT 250 ML

IMPORTANT - Parts are genuine except - Product codes ending with : # = Original Equipment.Supplier \* = Reproduction/Non-O.E.



0121 544 4040

[WWW.DAVIDMANNERS.CO.UK](http://WWW.DAVIDMANNERS.CO.UK)

[ENQUIRIES@DAVIDMANNERS.CO.UK](mailto:ENQUIRIES@DAVIDMANNERS.CO.UK)



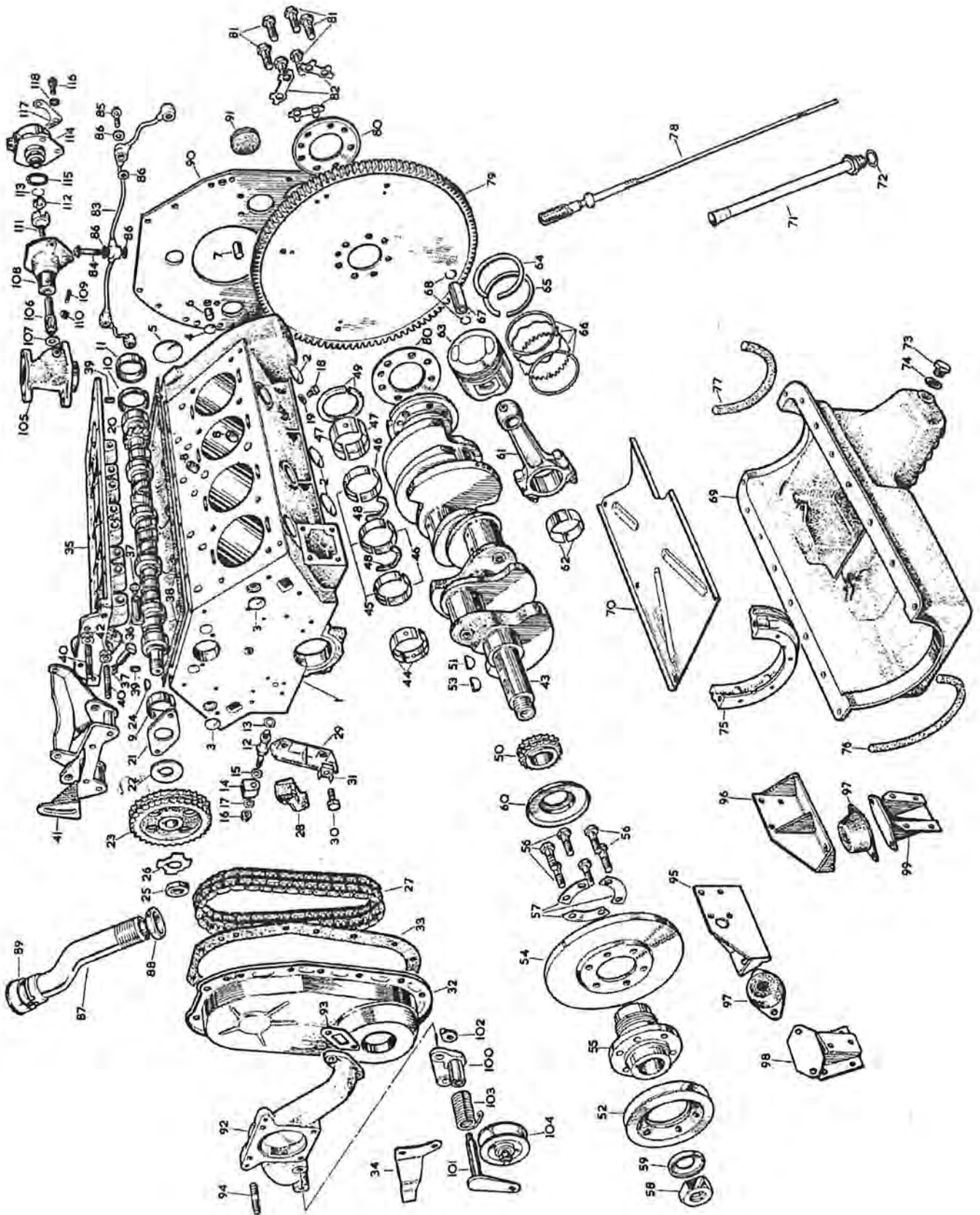


PLATE 1

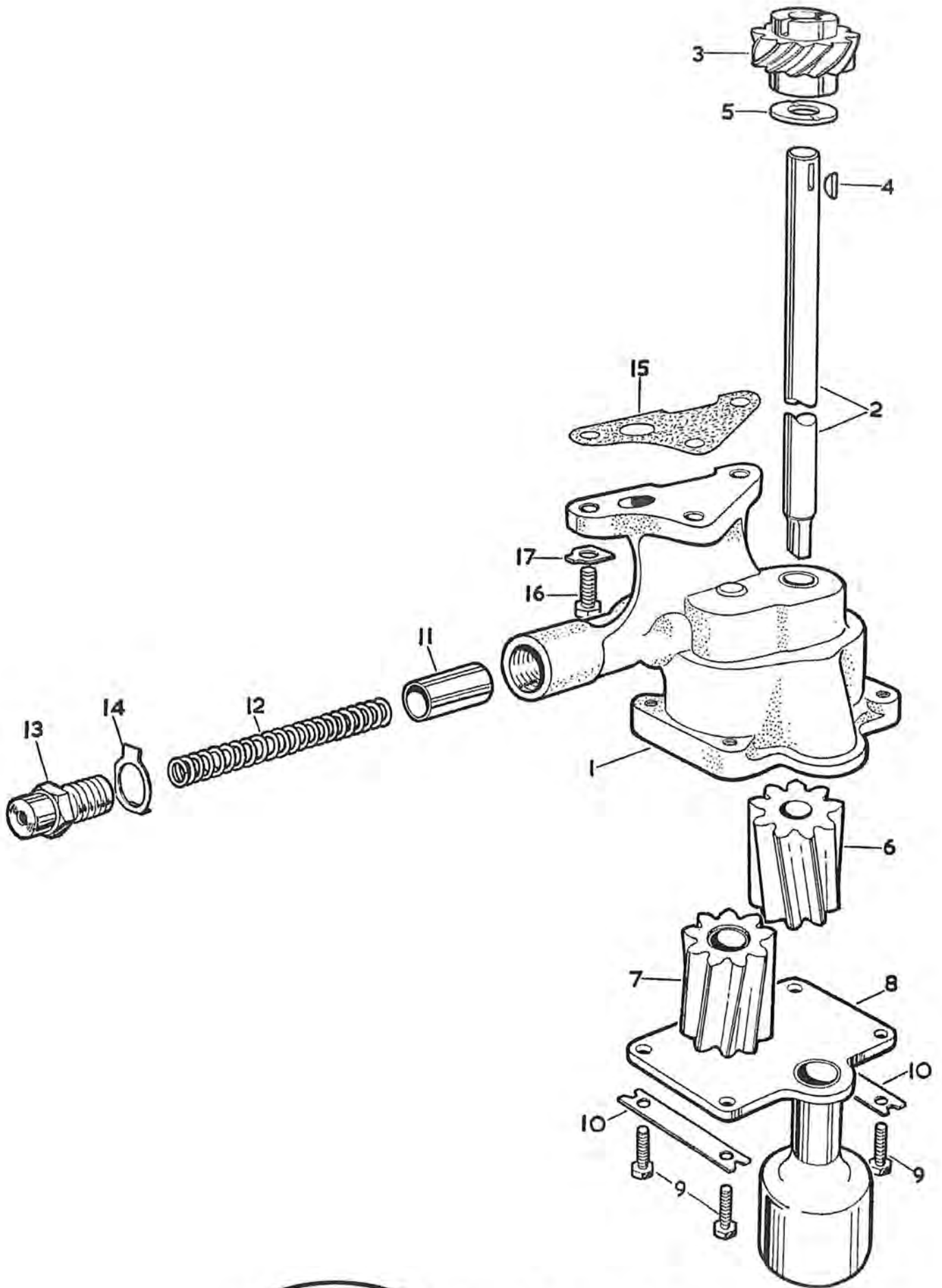


PLATE 2

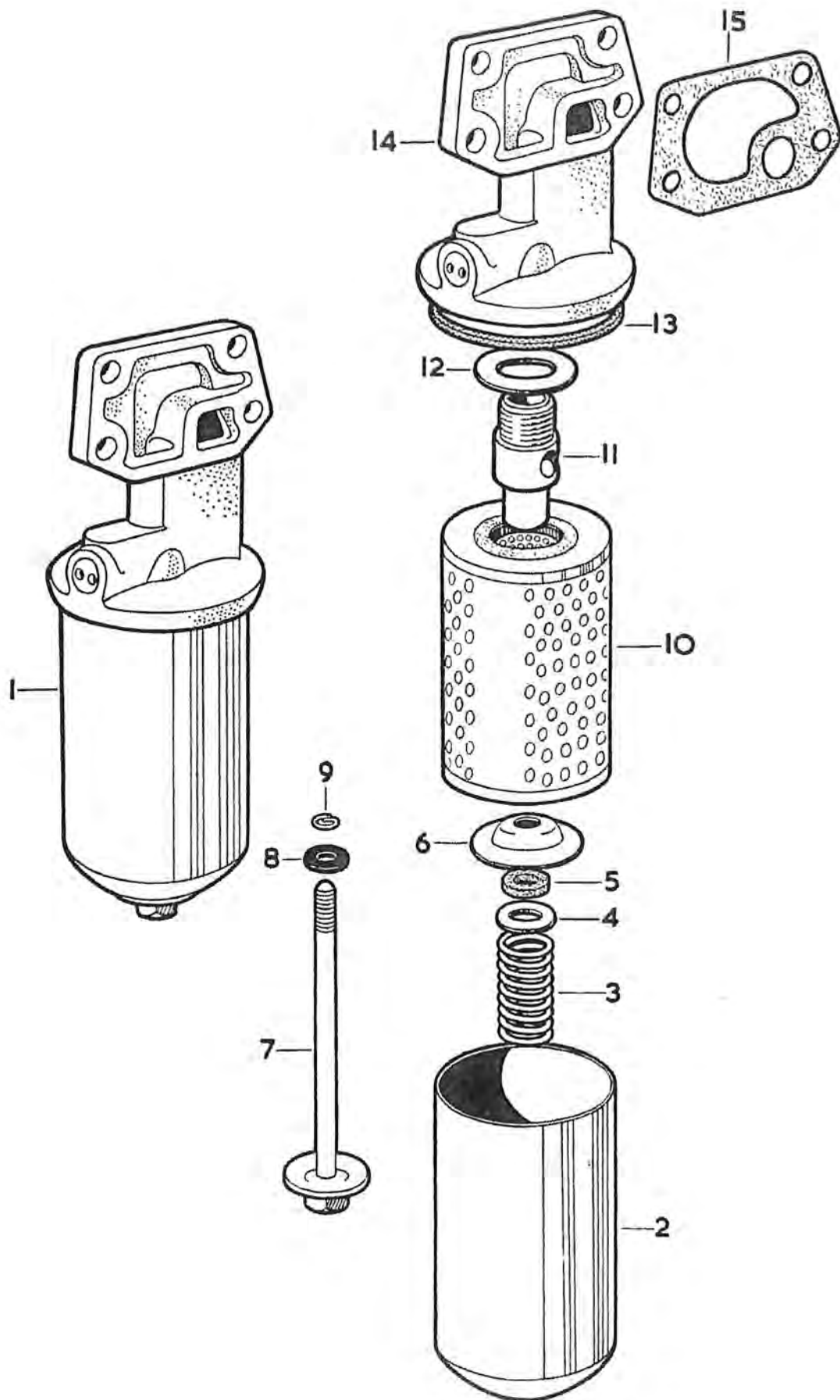


PLATE 3

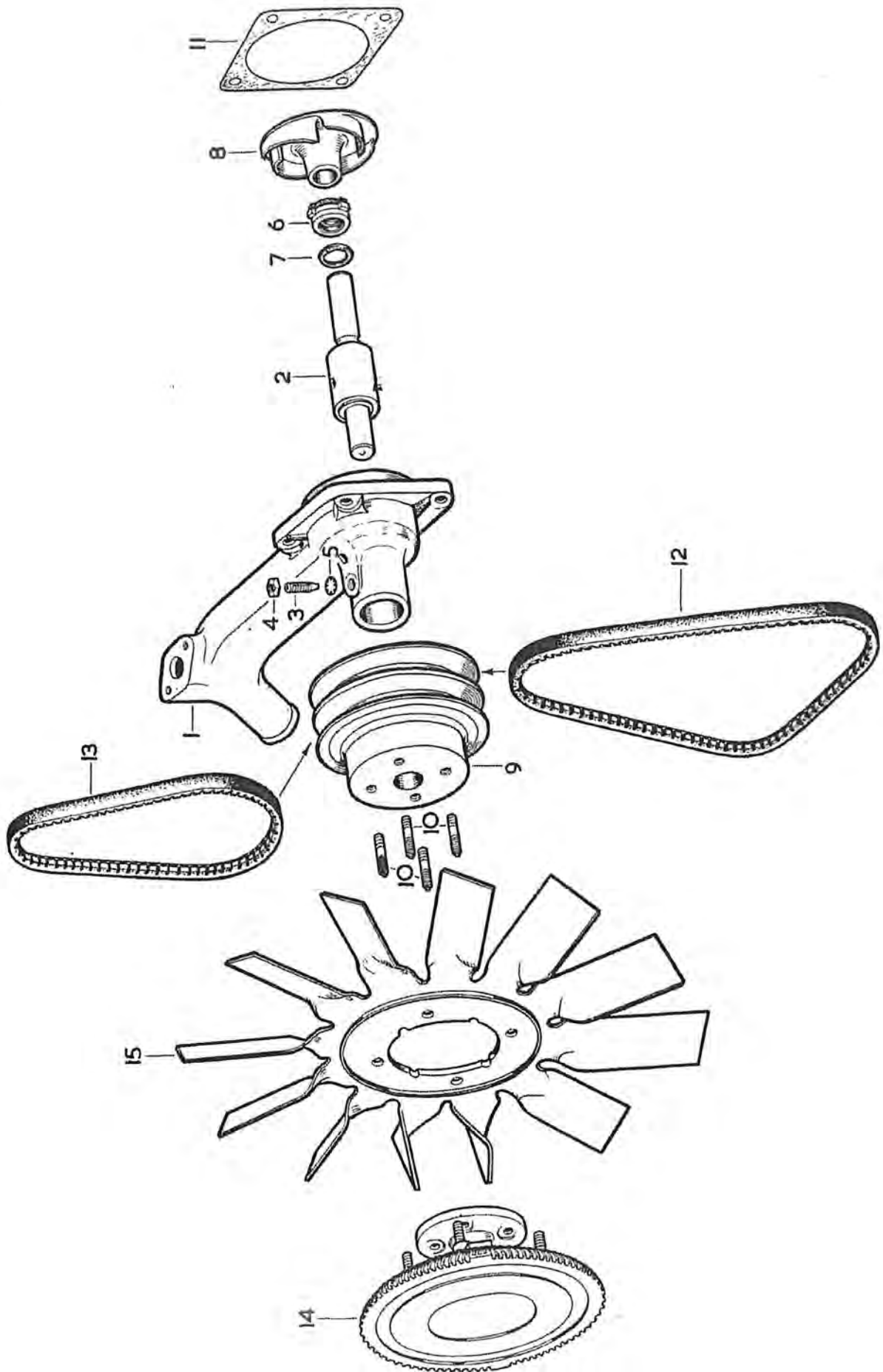


PLATE 4

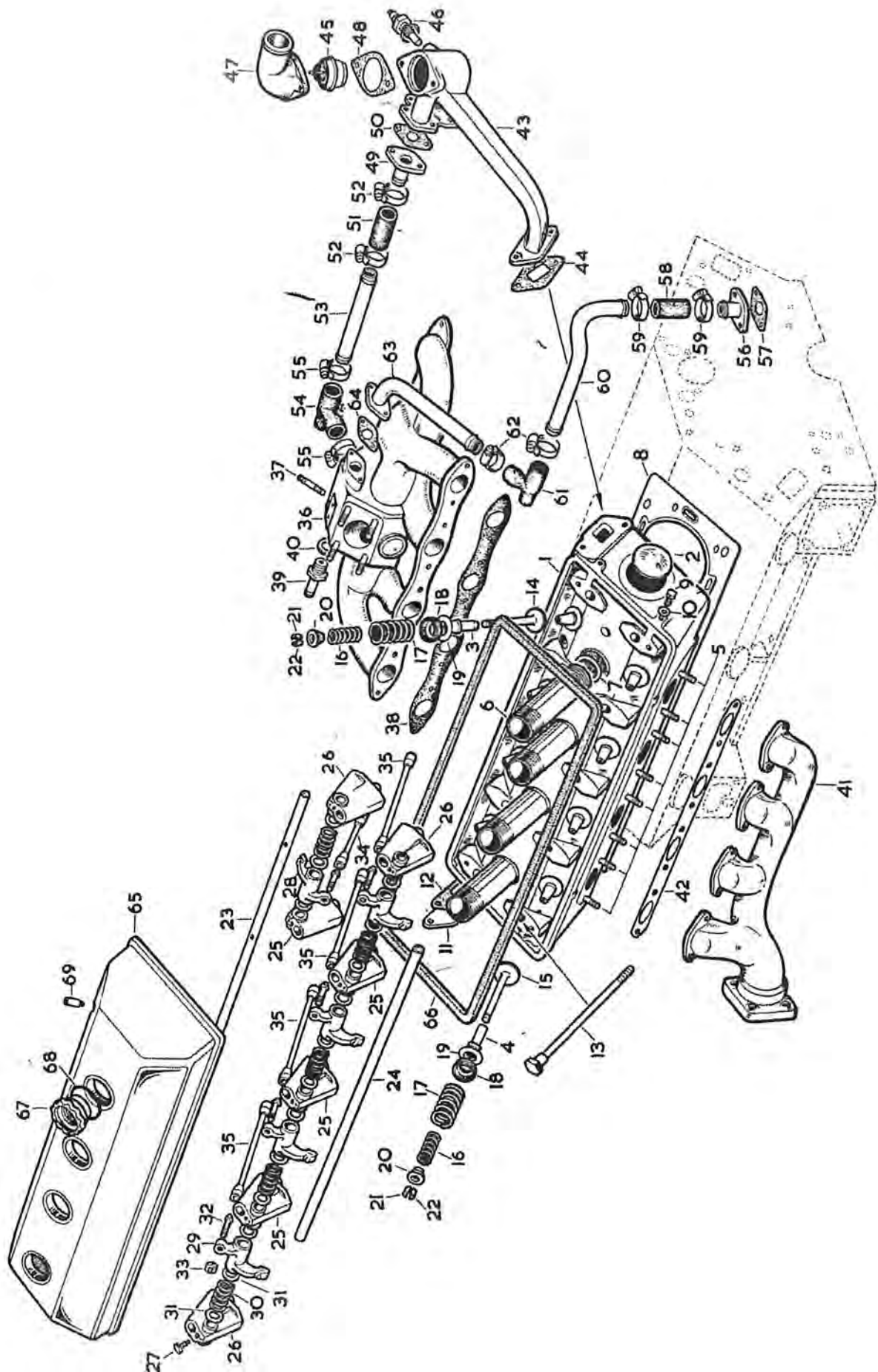


PLATE 5

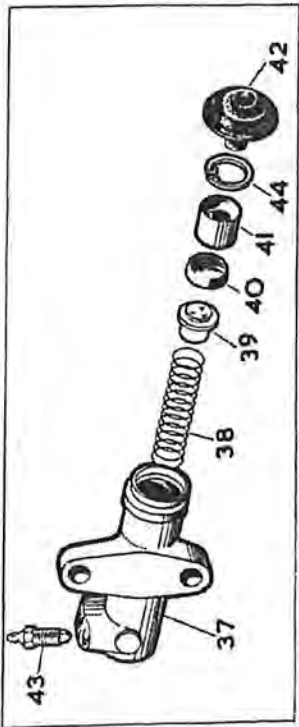
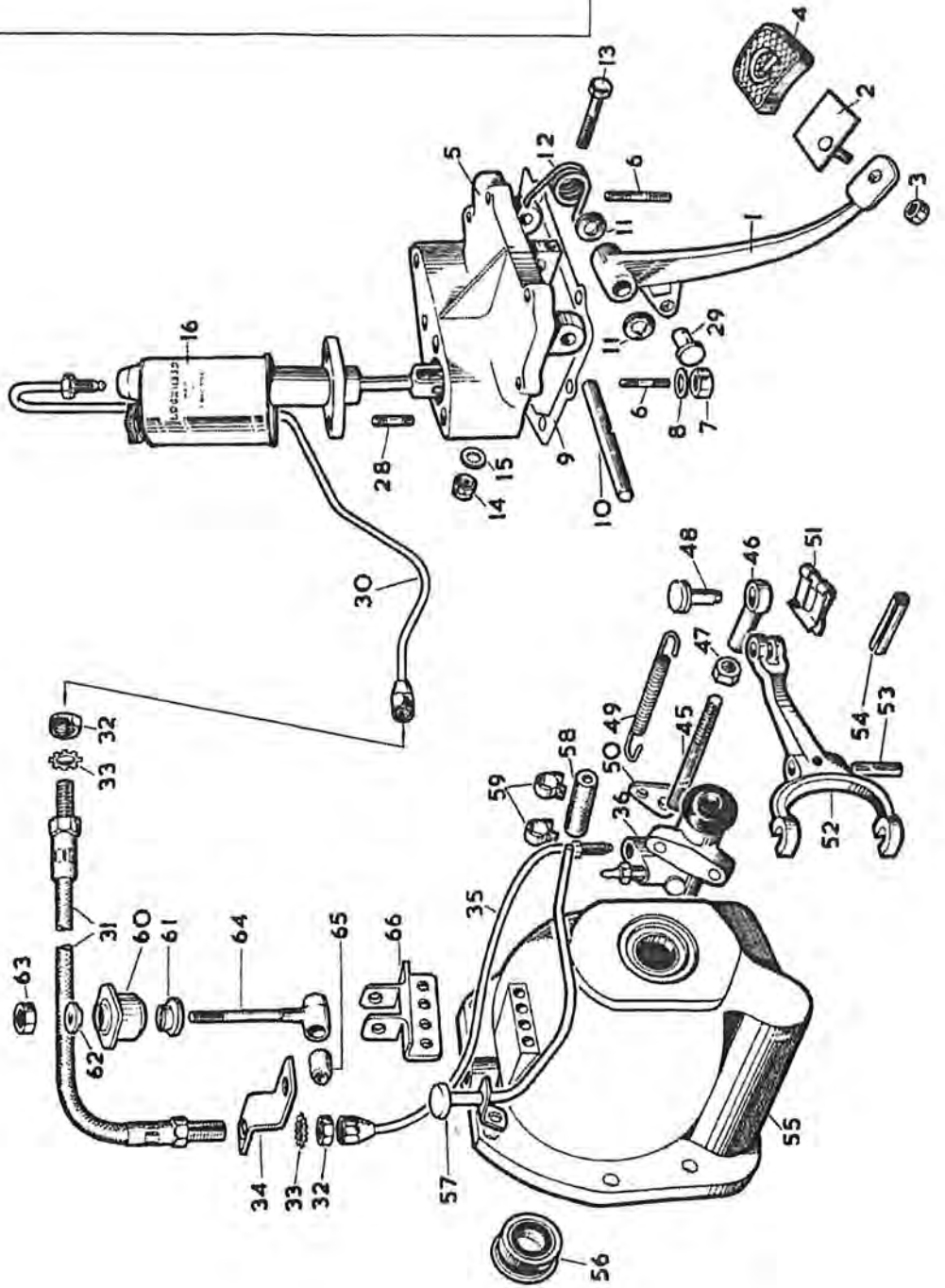
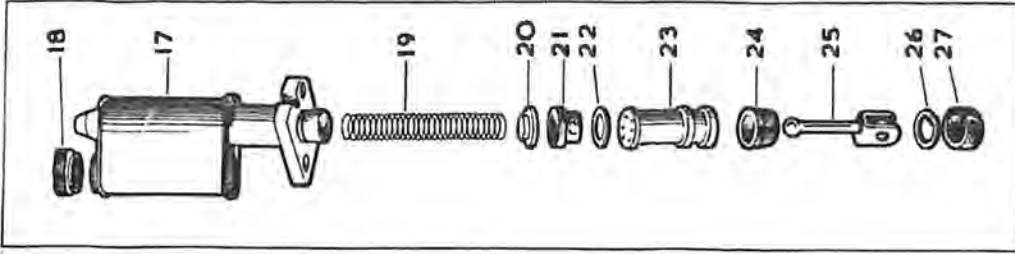


PLATE 6

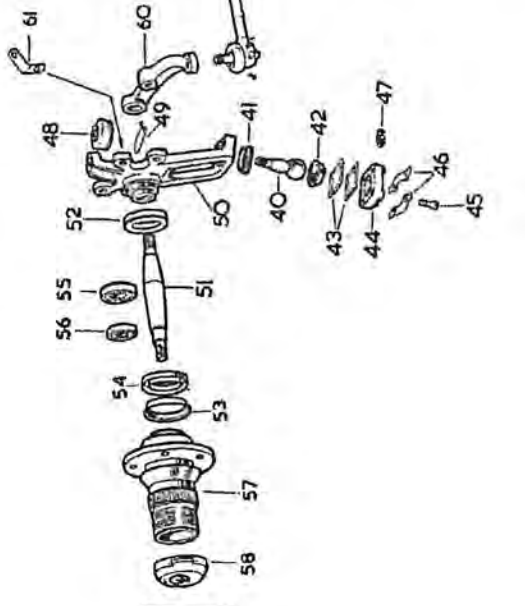
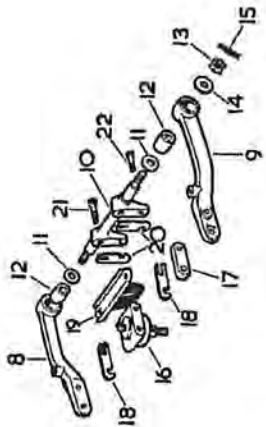
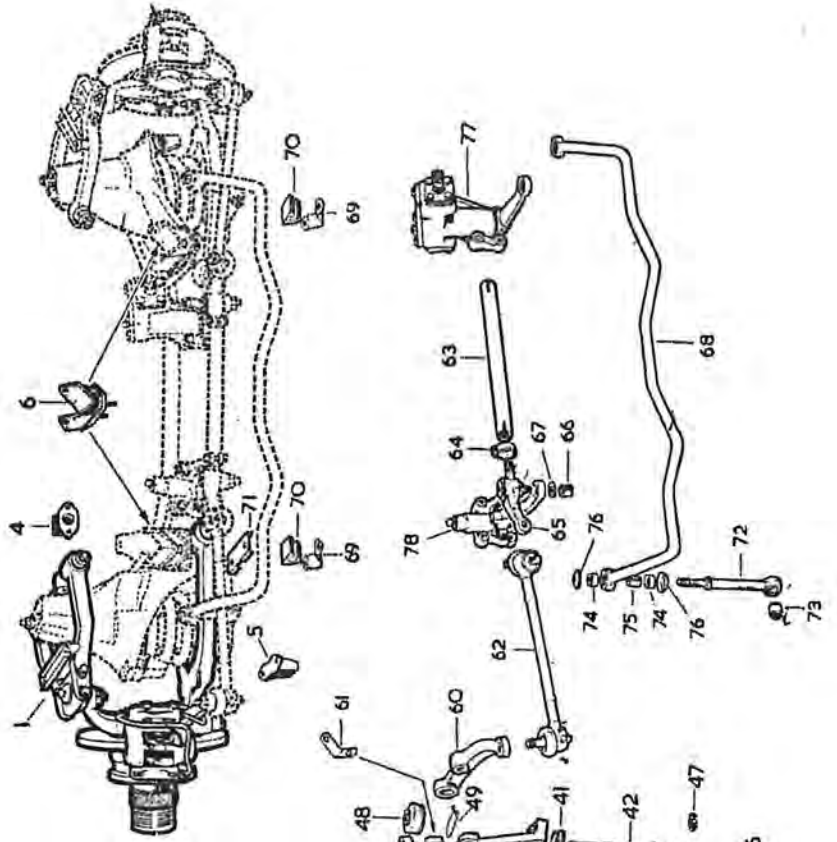
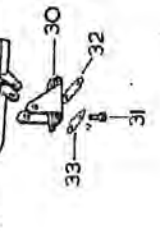
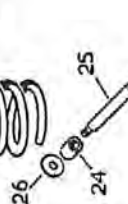
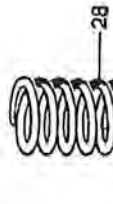
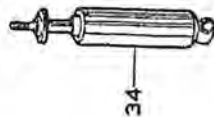
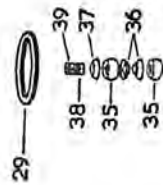
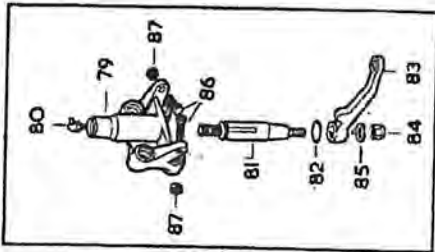
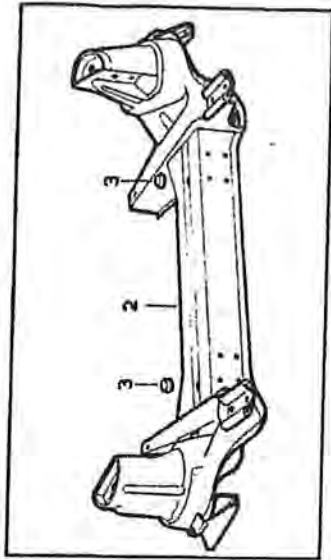


PLATE 7

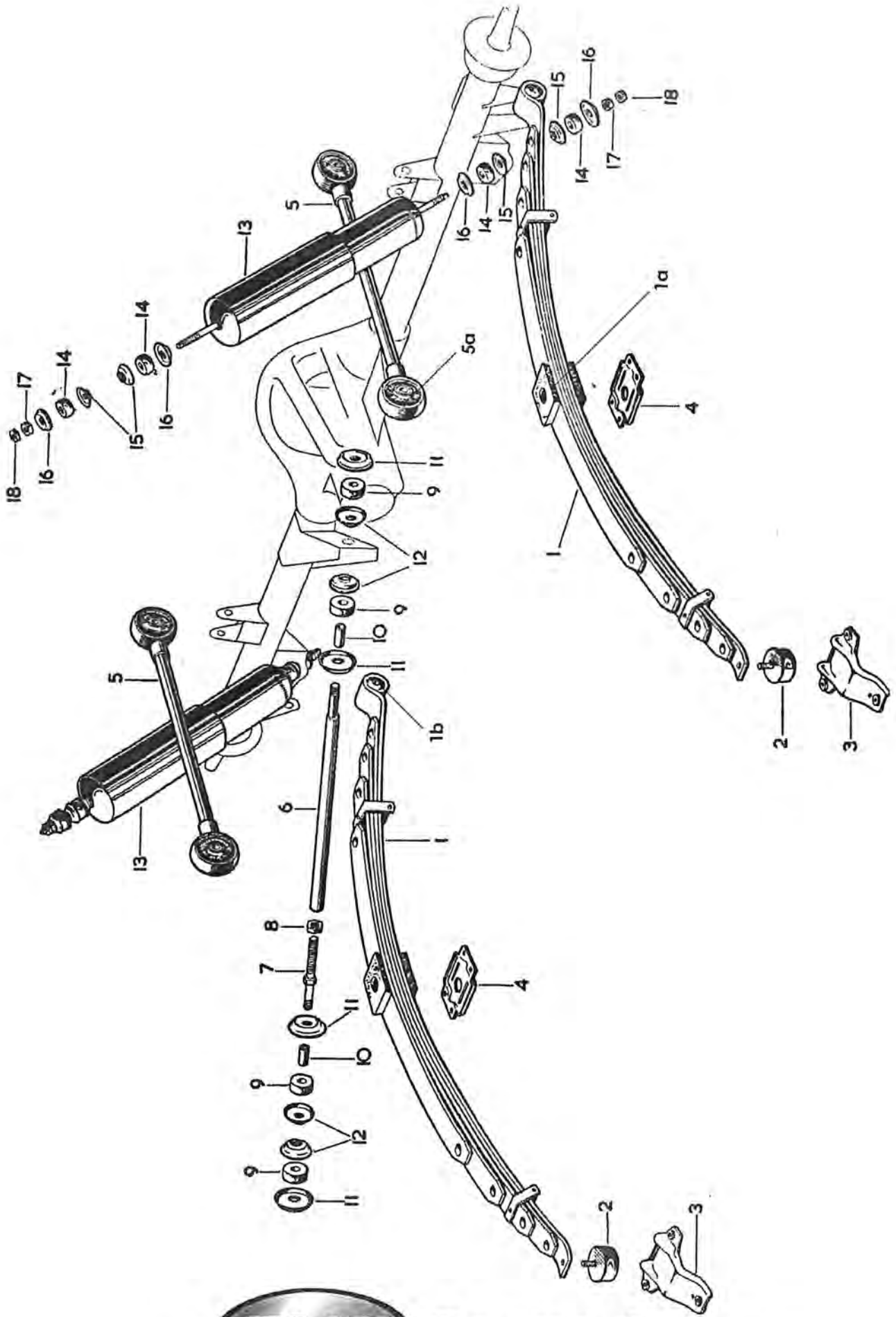


PLATE 8



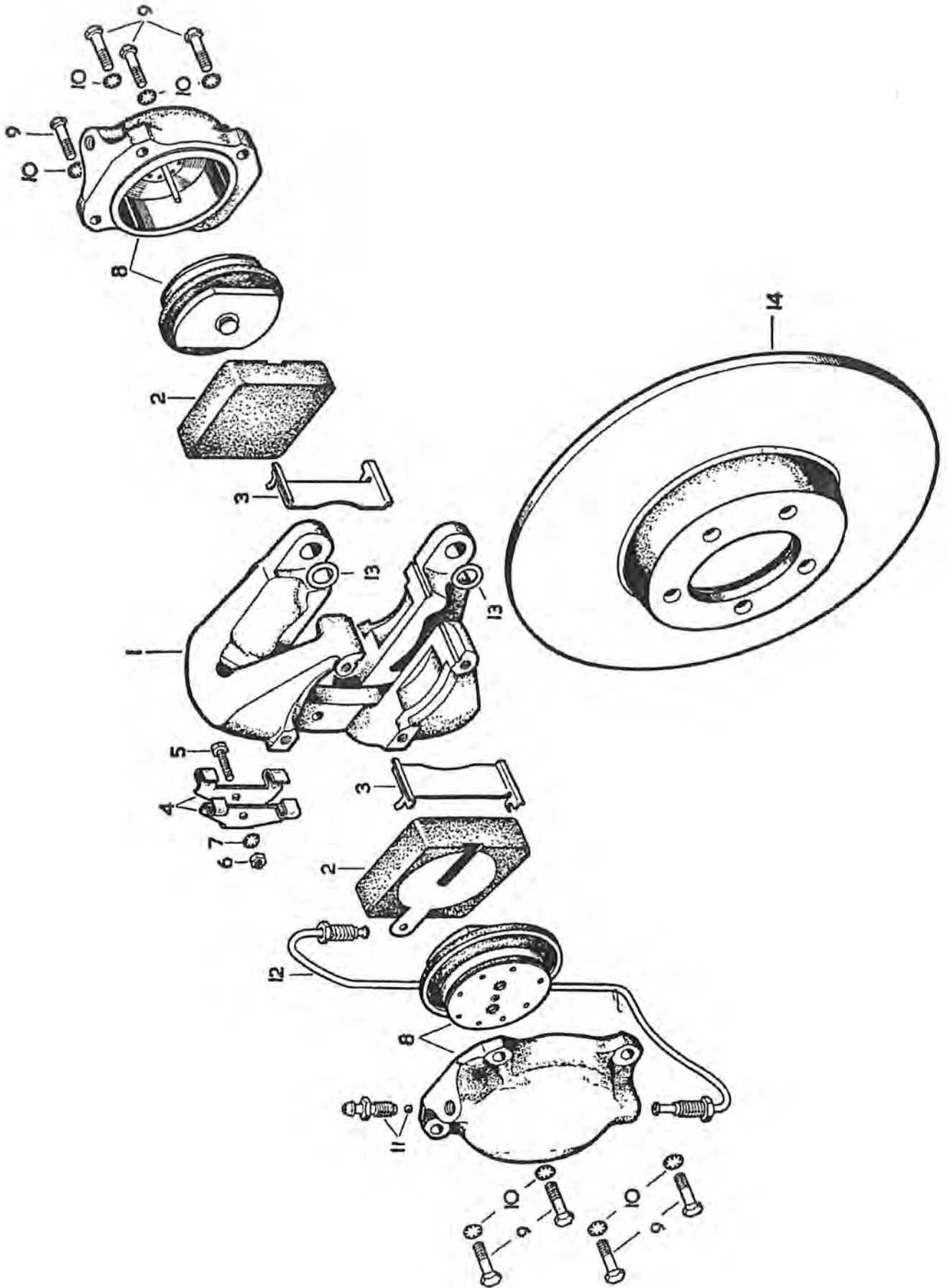


PLATE 9

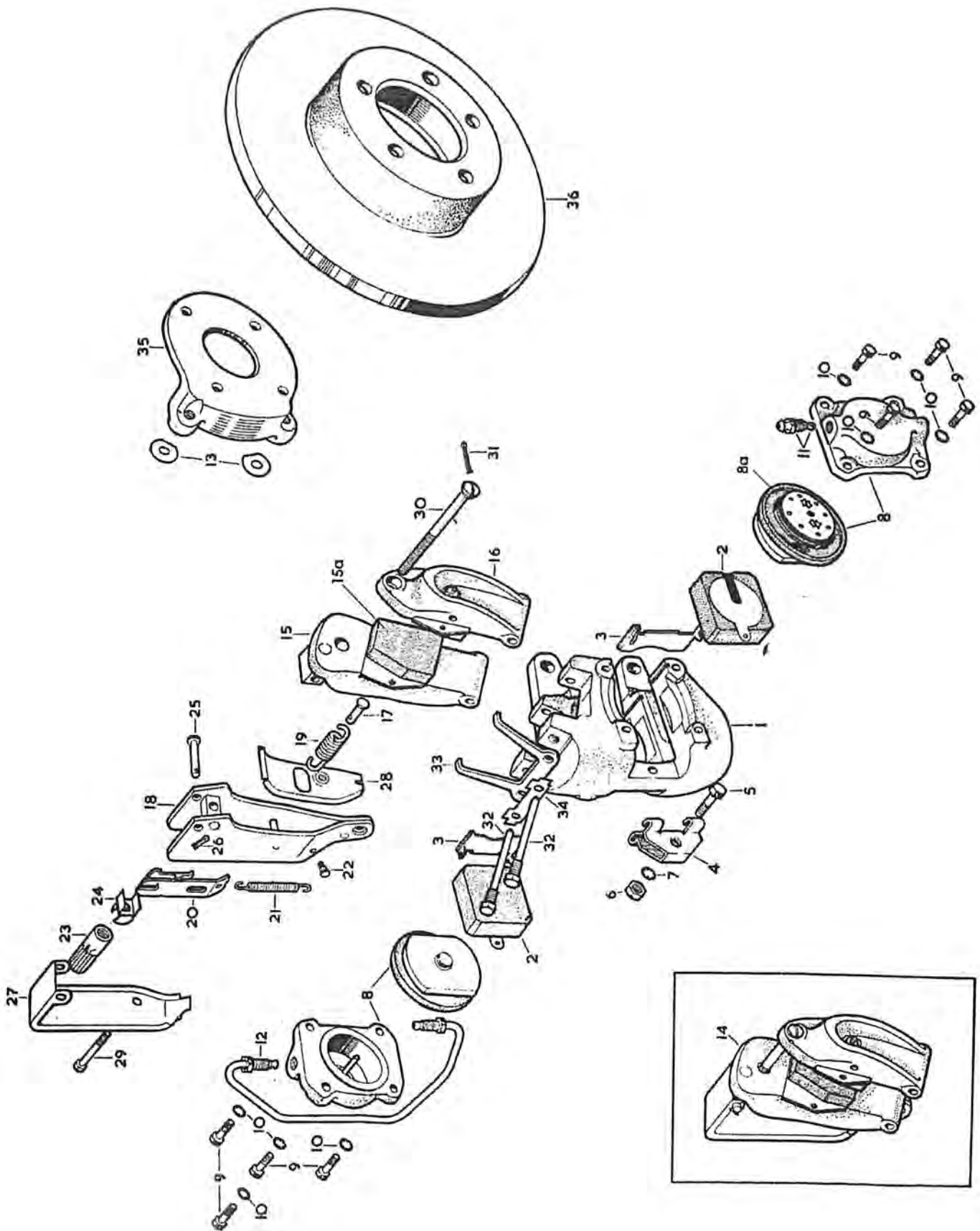
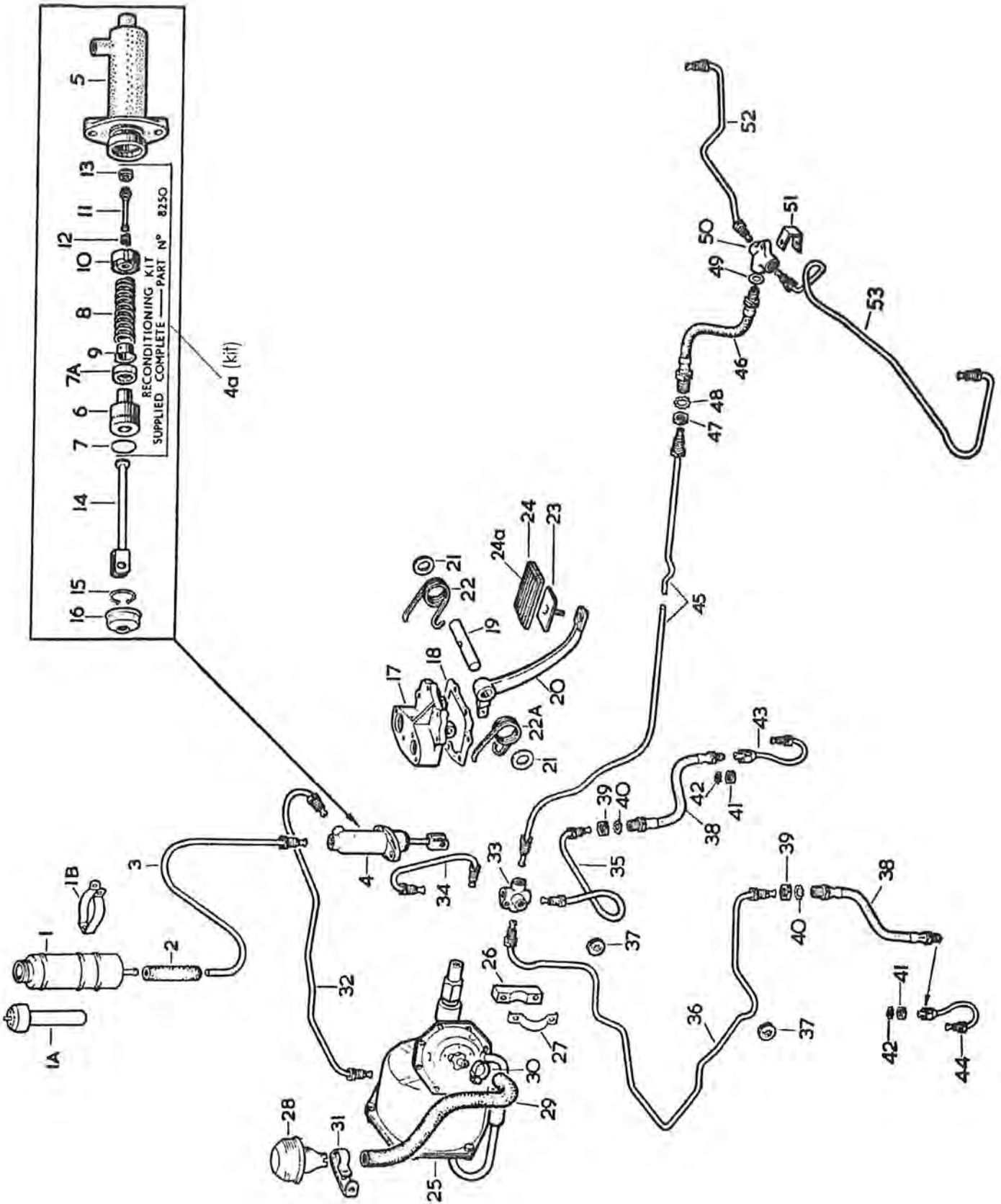
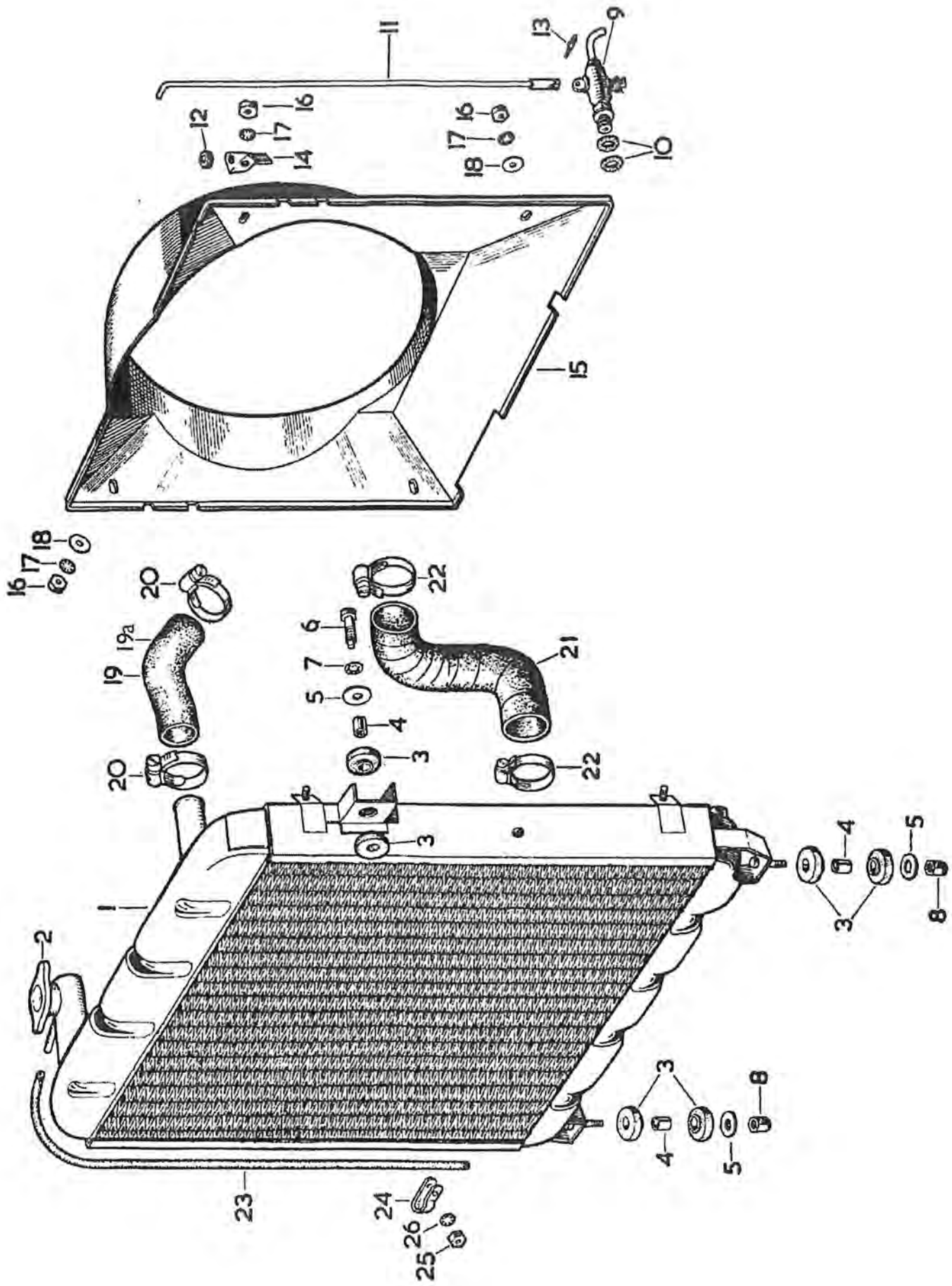


PLATE 10





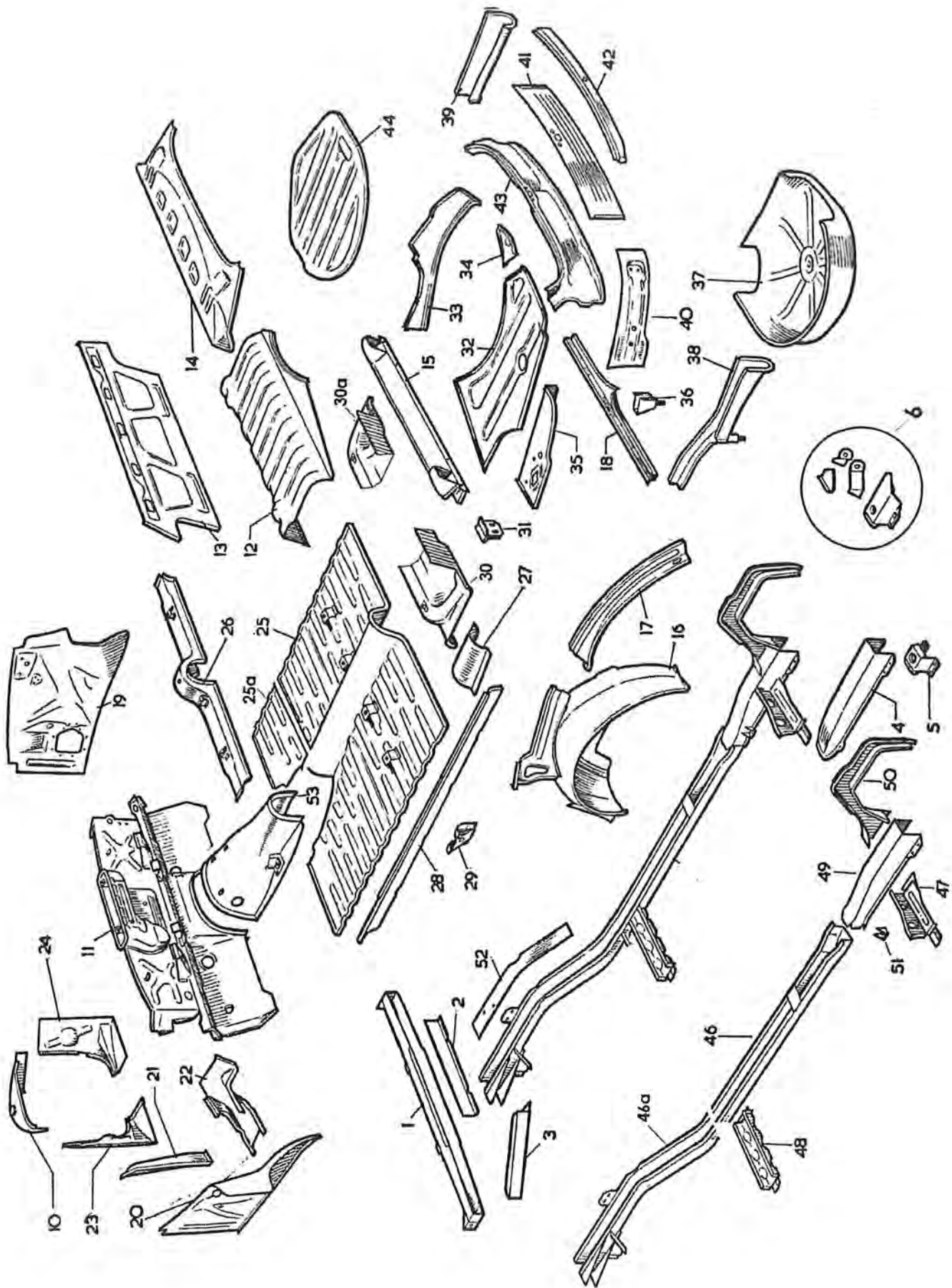


PLATE 14

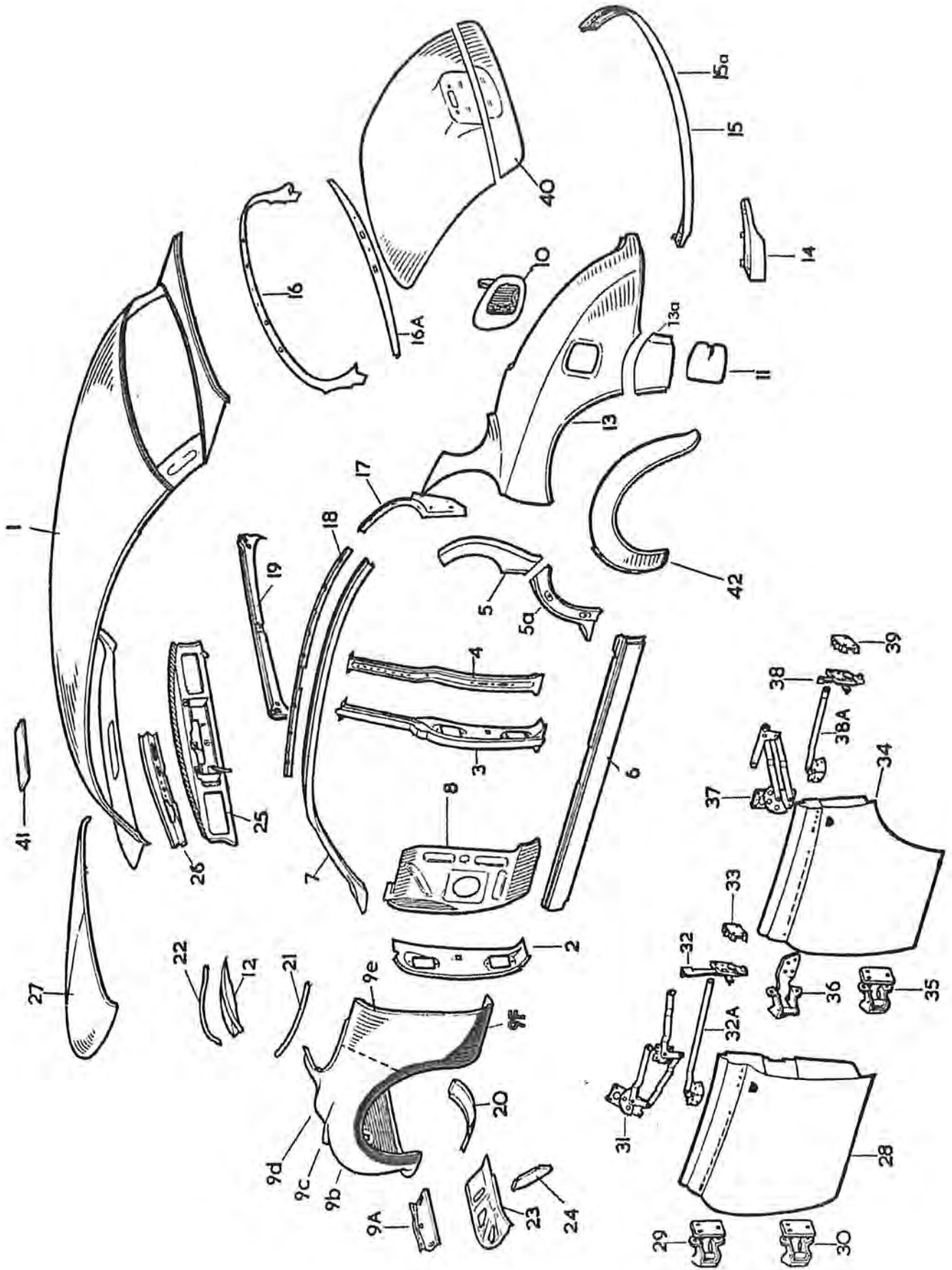


PLATE 15

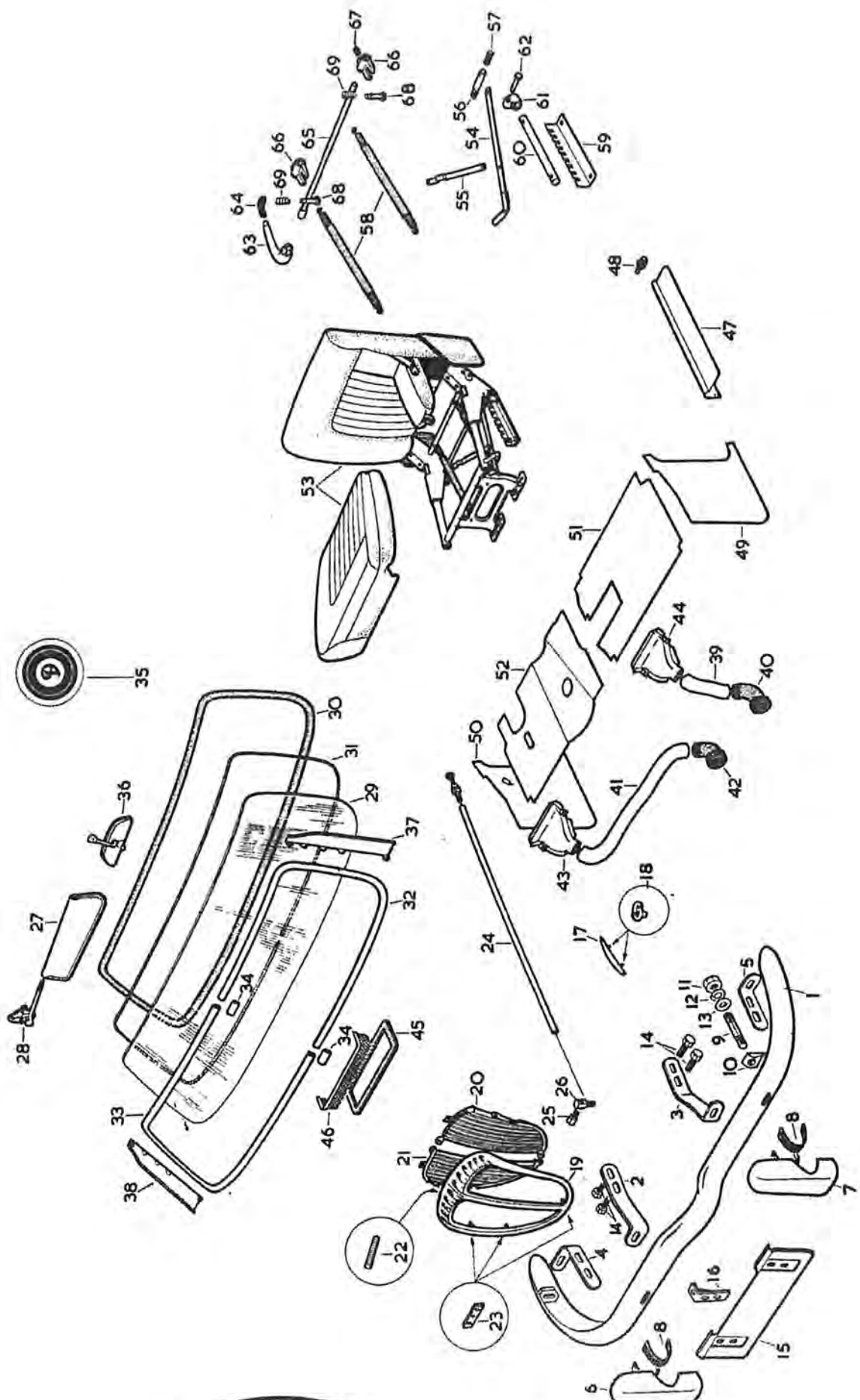
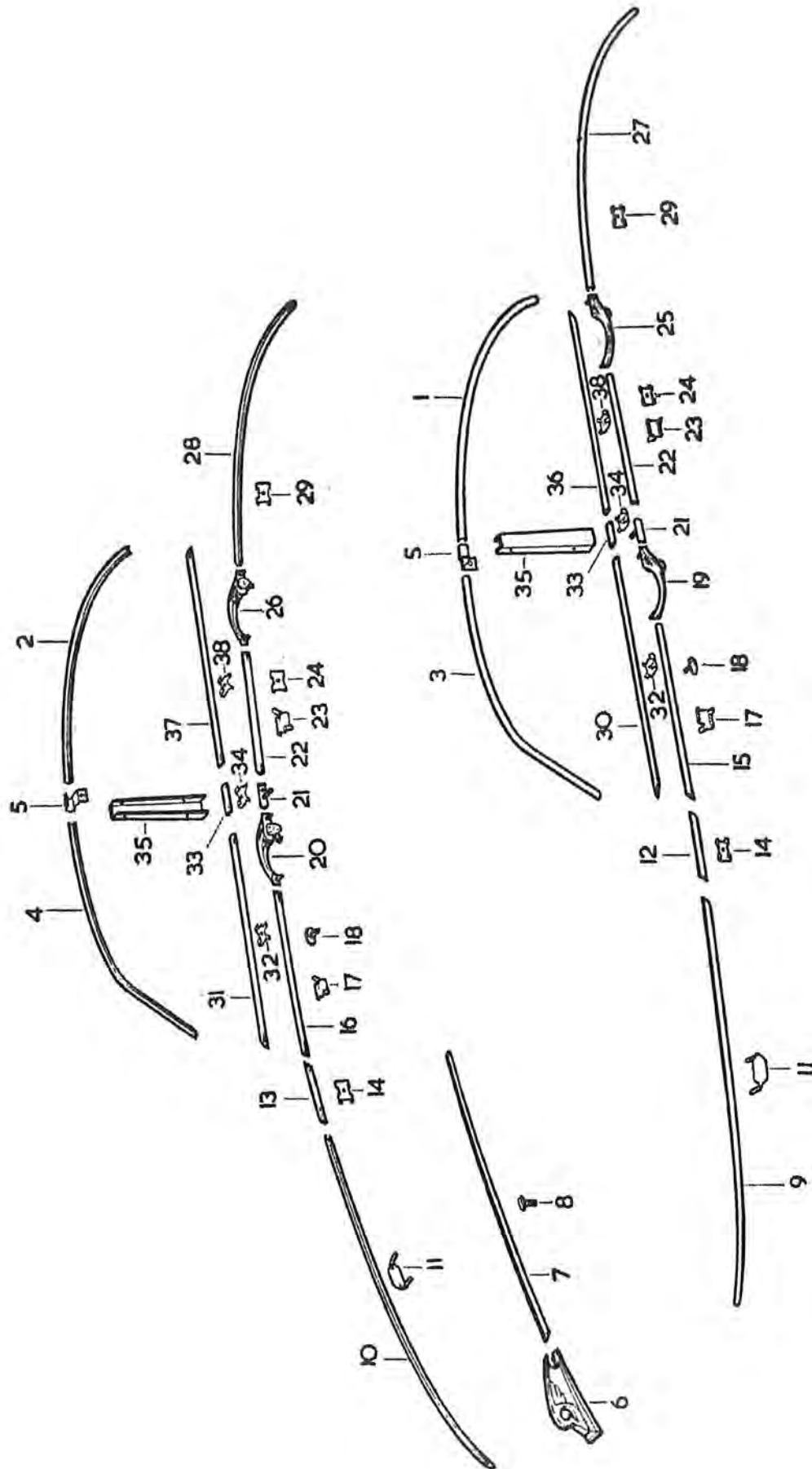
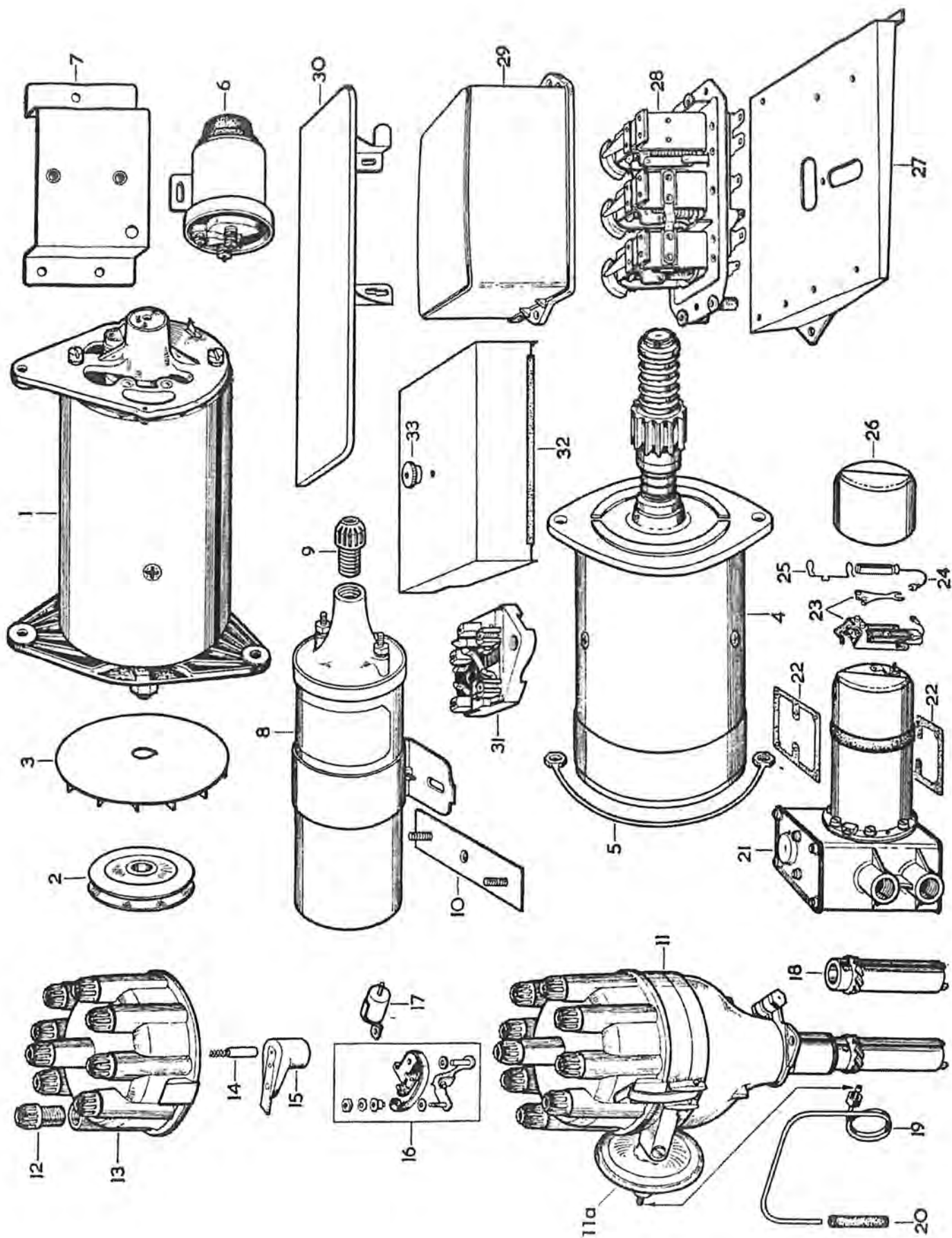


PLATE 16







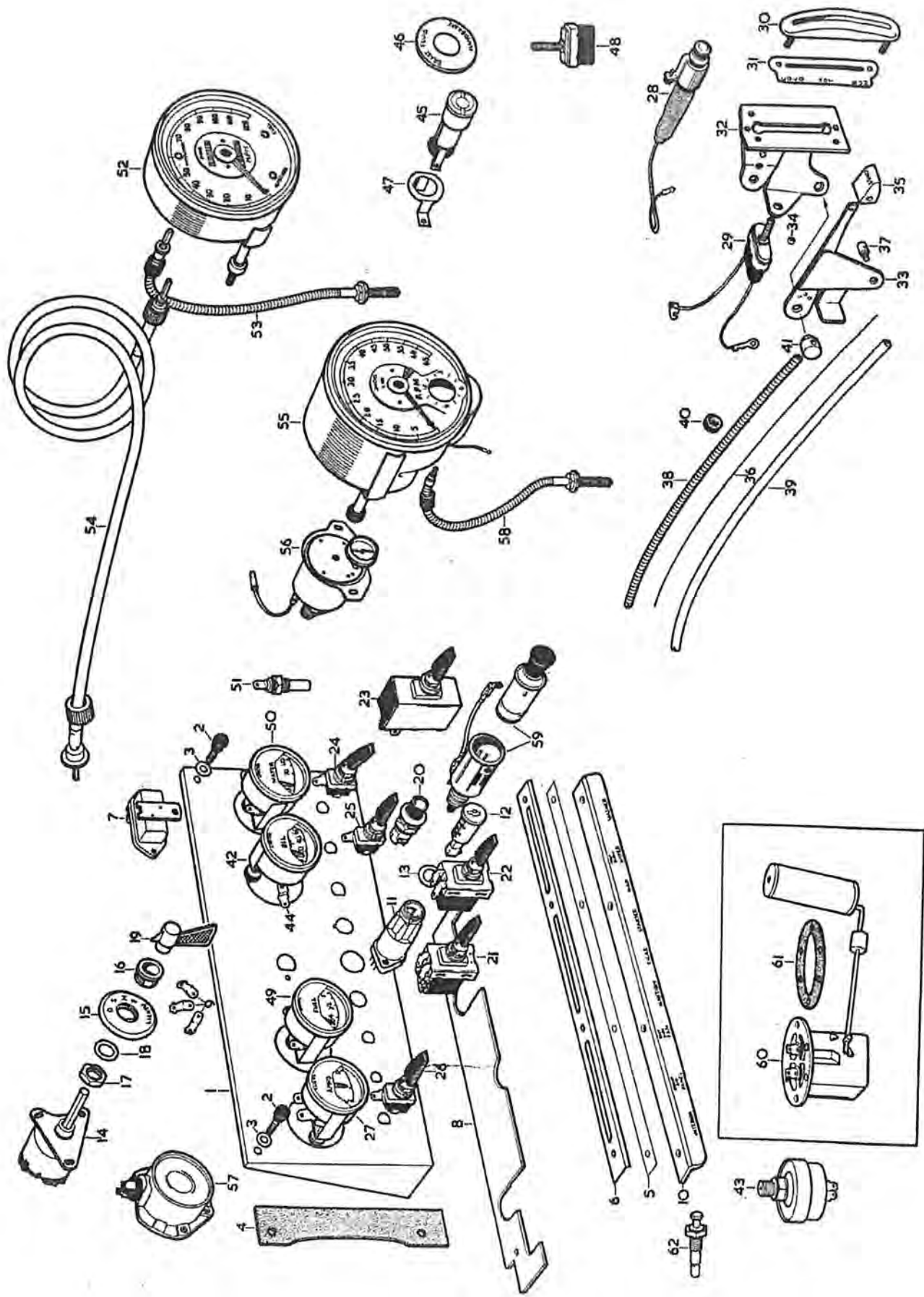
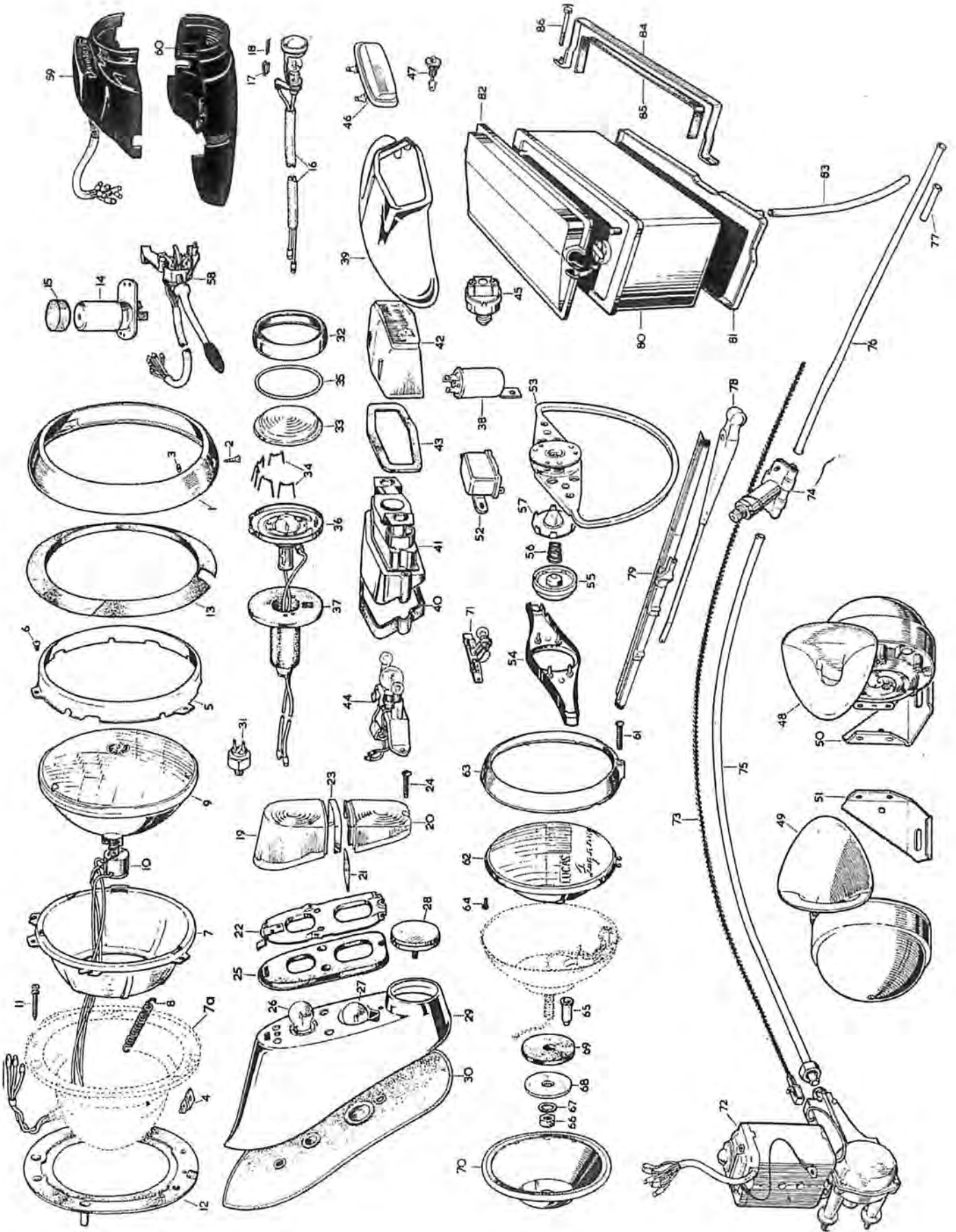


PLATE 19



# DAVID MANNERS GROUP

SUPPLYING QUALITY GENUINE, OE & AFTERMARKET  
PARTS & ACCESSORIES

CLASSIC MINI | JAGUAR & DAIMLER | MG & TRIUMPH | MORRIS MINOR | MX-5

**CLASSIC MINI**  
0121 544 0011

**PARTS FOR ALL MINI CARS**  
BMC MINI MK I-V, COOPER, CLUBMAN AND MORE

**JAGUAR &  
DAIMLER**  
0121 544 4040

**PARTS FOR JAGUAR AND DAIMLER CARS**  
DAIMLER V8 PARTS – DAIMLER DART SPARES – JAGUAR MK.II  
PARTS - E-TYPE SPARES, JAGUAR XK120, 140 & 150 PARTS, XJ6,  
XJ12, XJS, XJ40 PARTS, S-TYPE & X-TYPE PARTS, X300 PARTS, XK8  
& XJ8 PARTS

**MG &  
TRIUMPH**  
0121 544 4444

**PARTS FOR CLASSIC MG & TRIUMPH CARS**  
MGA TO MGTE, TRIUMPH TR2 TO TR8, SPITFIRE, 2000, 2500,  
MX5 HERALD, GT6, DOLOMITE, TOLEDO, AUSTIN HEALEY  
SPRITE AND AH 3000

**MORRIS MINOR**  
0121 544 5522

**PARTS FOR MORRIS MINOR CARS**  
FOR ALL MODELS BUILT FROM 1948-71 INCLUDING PARTS TO  
UPGRADE AND MODERNISE.

**MX5**  
0121 544 5555

**PARTS FOR MAZDA MX5 CARS**  
NOW FOR MAZDA MX5 MK1-2 RANGE



0121 544 4040

E-MAIL: [ENQUIRIES@DAVIDMANNERS.CO.UK](mailto:ENQUIRIES@DAVIDMANNERS.CO.UK)

VISIT: 991 WOLVERHAMPTON ROAD, OLDBURY, B69 4RJ

[WWW.DAVIDMANNERS.CO.UK](http://WWW.DAVIDMANNERS.CO.UK)

PARTS FOR CLASSIC MINI | JAGUAR & DAIMLER | MG & TRIUMPH | MORRIS MINOR | MX-5