

DAVID MANNERS

PARTS FOR JAGUAR & DAIMLER CARS

XK120 | XK140 | XK150 | MK-II | E-TYPE | V8 | SP250 | 420 | MX-X | XJ6 | XJS | XJ40 | X300 | X308 | X350 | XK8 | XJ8 | X-TYPE | S-TYPE



JAGUAR MK2 PARTS GUIDE



0121 544 4040

E-MAIL: ENQUIRIES@DAVIDMANNERS.CO.UK
OR VISIT OUR OLDBURY TRADE COUNTER - B69 4RJ

WWW.DAVIDMANNERS.CO.UK

PARTS FOR CLASSIC MINI | JAGUAR & DAIMLER | MG & TRIUMPH | MORRIS MINOR | MX-5

PARTS FOR JAGUAR & DAIMLER CARS



The David Manners Group comprises of four of the most established market leaders in the car parts industry including Abingdon MG Parts Ltd, Mini Spares Centre Limited, and Morris Minor Centre (Birmingham) and supply parts for modern and classic Jaguar & Daimler, MG & Triumph, Mazda MX5, Classic Mini and Morris Minor cars.

We supply parts for the following models:

Daimler V8, Daimler Dart, Jaguar MK2, E-type, XK120, XK140, XK150, XJ6, XJ12, XJS, XJ40, S-type, X-Type, X300, X308, XK8, XJ8, XF & XJ.

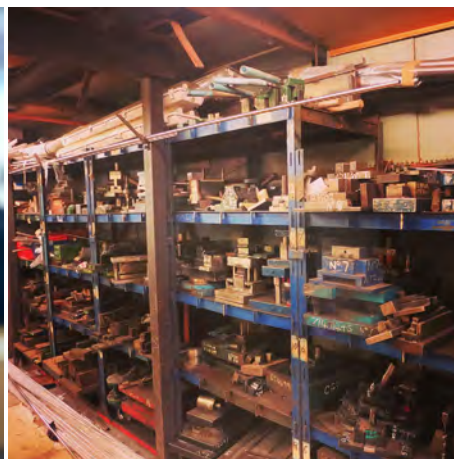
EASY ONLINE ORDERING | NEXT DAY & INTERNATIONAL DELIVERY
OWNERS' CLUB DISCOUNTS | ONSITE ENGINEERING DEPARTMENT



ONSITE ENGINEERING



AS FEATURED ON CAR S.O.S



90% OF STOCK MADE IN THE UK



WWW.DAVIDMANNERS.CO.UK

ENQUIRIES@DAVIDMANNERS.CO.UK

0121 544 4040

MK2 2.4-3.8 Price List

PARTNO	DESCRIPTION	David Manners Ltd MK2	2.4-3.8
--------	-------------	-----------------------	---------

Parts Catalogues

E116/10*	DRIVERS HANDBOOK	MK2 3.4	
E115/10*	DRIVERS HANDBOOK	MK2 3.8	
J33*	PARTS CATALOGUE	MK2 2.4 240	
J34*	PARTS CATALOGUE	MK2 3.4 3.8 340	
JHM1117#	PARTS DVD	240,340	
JTP1003	PARTS/TECH DVD	JAG MK1, MK2 240/340	
JTP1015	PARTS/TECH DVD SET	JAGUAR COLLECTION	
E121*	WORKSHOP MANUAL	MK2 3.4/3.8/340	
E151/1	W/SHOP.MANUAL SUPPL.	240/340	
GAC1094/2	HANDBOOK WALLET		

Service Items

C28080*	FUEL FILTER ELEMENT		
JLM9544	OIL FILTER ELEMENT		
JLM9544#	OIL FILTER ELEMENT		
11713*	AIR FILTER ELEMENT	240	
C19530	AIR FILTER ELEMENT	340	
7752*	P.A.S PUMP FILTER		
C14723/1	FAN BELT	MK2 2.4	
C19523*	FAN BELT	MK2 240	
C15840*	FAN BELT	MK2 3.4 3.8	"Eng number required"
C19525*	FAN BELT	MK2 3.4 3.8	"Eng number required"
C27650	THERMOSTAT 74c	2.4.3 & 4.3.8.	
C27650*	THERMOSTAT 74c	2.4.3 & 4.3.8.	
C28067	THERMOSTAT 74c.	240 & 340	
C28067#	THERMOSTAT 74c.	240 & 340	
EAC7045	THERMOSTAT GASKET		
JLM9523	DISTRIBUTOR CAP	"Eng number required"	
JLM9523#	DISTRIBUTOR CAP	"Eng number required"	
JLM249*	DISTRIBUTOR CAP	"Eng number required"	
C11990#	CONTACT SET	"Eng number required"	
JLM9520	CONTACT SET	"Eng number required"	
JLM9520#	CONTACT SET	"Eng number required"	
JLM263	ROTOR ARM		
JLM263#	ROTOR ARM		
JLM9656	CONDENSER		
N5	2.4 SPARK PLUG champion		
JLM567	2.4 SPARK PLUG Jaguar		
BP6ES	2.4 SPARK PLUG NGK		
EAC8916	3.4..3.8. SPARK PLUG N12Y		
EAC8916#	3.4..3.8. SPARK PLUG N12Y		

Engine Components

THIS SECTION IS FOR 2.4 & 240 ENGINE BLOCK PARTS.....

IMPORTANT - Parts are genuine except - Product codes ending with : # = Original Equipment.Supplier * = Reproduction/Non-O.E.

MK2 2.4-3.8 Price List

PARTNO	DESCRIPTION	David Manners Ltd MK2 2.4-3.8
C317*	Plate 01 No 00 CORE PLUG 1" at right-hand side	
C315*	Plate 01 No 03 CORE PLUG 1" 3/4"	
C315	Plate 01 No 03 CORE PLUG 1" 3/4"	
C315FK	Plate 01 No 03 CORE PLUG & STRAP KIT	
C2352*	Plate 01 No 05 OIL GALLERY PLUG	
C28082	Plate 01 No 00 MAIN BRG LOCKWASHER	
C44034	Plate 01 No 09 OIL GALLERY PLUG	
C2296/2	Plate 01 No 00 COPPER WASHER	
C13479	Plate 01 No 10 TIMING COVER DOWEL	
C29035	Plate 01 No 11 CYL HEAD STUD-162MM "Eng number	
C29035*	Plate 01 No 11 CYL HEAD STUD-162MM "Eng number	
C2270*	Plate 01 No 12 CYLINDER HEAD STUD "Eng number	
The above are for early engines and an Engine number is required.		
C29035*	Plate 01 No 11 CYL HEAD STUD-162mm "Eng number	
C23609*	Plate 01 No 12 CYL HEAD STUD-175MM "Eng number	
The above are for later engines and an Engine number is required.		
DMJS57/4	Plate 01 No 11 CYL HEAD STUD-165MM "SEMI -STAINLESS"	
DMJS24/1	Plate 01 No 11 CYL HEAD STUD-165MM "HI-TENSILE" ..	
DMJS24/2	Plate 01 No 11 CYL HEAD STUD-175MM "HI-TENSILE" ..	
HEADSTUSET2	Plate 01 No 00 CYL HEAD STUD SET "HI-TENSILE" ..	
GMB10	Plate 01 No 14 CRANK SEAL CONV.KIT "ALLOY SUMP"	
GMB11	Plate 01 No 14 CRANK SEAL CONV.KIT "STEAL SUMP"	
GMB10 and GMB11 are conversions for the original cover assembly .		
EBC9705	Plate 01 No 15 STUD RING DOWEL	
C19654*	Plate 01 No 16 REAR MAIN BRG SEAL	
C42302/4	Plate 01 No 17 REAR MAIN TORX SCREW	
C42302/6	Plate 01 No 18 REAR MAIN TORX SCREW	
JSS604080B	Plate 01 No 00 TORX SCREW	
C4146	Plate 01 No 18 OIL PIPE COPPER WASHER	
C2430*	Plate 01 No 19 DISTRIB.SEALING RING	
C40134*	Plate 01 No 00 CYLINDER LINER	
C13457#	Plate 01 No 23 OIL GAUZE FILTER	
C2354/1*	Plate 01 No 24 CYL.BLOCK DRAIN TAP	
C784	Plate 01 No 26 FIBRE WASHER	
C4283*	Plate 01 No 28 CRANKSHAFT PLUG	
C2226*	Plate 01 No 29 CRANK SPIGOT BUSH	
C34744	Plate 01 No 30 THRUST WASHER STD	
C34744*	Plate 01 No 30 THRUST WASHER STD	
C34744/1*	Plate 01 No 30 THRUST WASHER O/SIZE	
M7118LC	Plate 01 No 31 MAIN BRG SET STD	
M7118LC*	Plate 01 No 31 MAIN BRG SET STD	
M7118LC/10	Plate 01 No 31 MAIN BRG SET +10	
M7118LC/10*	Plate 01 No 31 MAIN BRG SET +10	
M7118LC/20	Plate 01 No 31 MAIN BRG SET +20	
M7118LC/20*	Plate 01 No 31 MAIN BRG SET +20	
M7118LC/30*	Plate 01 No 31 MAIN BRG SET +30	
M7118LC/40*	Plate 01 No 31 MAIN BRG SET +40	
M7118LC/50*	Plate 01 No 31 MAIN BRG SET +50	
C12037E*	Plate 01 No 33 CRANK DAMPER Vin required	
-C12037E*	SURCHARGE ..	
SECTION IS FOR 2.4 & 240 ENGINE BLOCK PARTS		
C2466*	Plate 01 No 34 CRANK DAMPER CONE	
SH605051J*	Plate 01 No 00 SETSCREW 5/16 X 5/8" UNF	
C40147	Plate 01 No 36 CRANKSHAFT SPACER	

IMPORTANT - Parts are genuine except - Product codes ending with : # = Original Equipment.Supplier * = Reproduction/Non-O.E.

MK2 2.4-3.8 Price List

PARTNO	DESCRIPTION	David Manners Ltd MK2 2.4-3.8
C23701*	Plate 01 No 37	CRANK OIL THROWER
C757	Plate 01 No 40	WOODRUFF KEY
C18904	Plate 01 No 00	CRANKSHAFT PULLEY To Eng No BH5364
C19527	Plate 01 No 00	CRANKSHAFT PULLEY From Eng No BH5365
B6545LC	Plate 01 No 45	BIG END BRG STD
B6545LC*	Plate 01 No 45	BIG END BRG STD
B6545LC/10	Plate 01 No 45	BIG END BRG SET +10
B6545LC/10*	Plate 01 No 45	BIG END BRG SET +10
B6545LC/20	Plate 01 No 45	BIG END BRG SET +20
B6545LC/20*	Plate 01 No 45	BIG END BRG SET +20
B6545LC/30	Plate 01 No 45	BIG END BRG SET +30
B6545LC/30*	Plate 01 No 45	BIG END BRG SET +30
B6545LC/40*	Plate 01 No 45	BIG END BRG SET +40
C23170	Plate 01 No 46	FLYWHEEL ASSY 240 Modles only
C8631*	Plate 01 No 48	FLYWHEEL DOWEL
C4855	Plate 01 No 49	FLYWHEEL BOLT
C4810*	Plate 01 No 50	FLYWHEEL LOCKING RING
409/STD*	Plate 01 No 51	PISTON SET STD. 8:1 COMP
409/020*	Plate 01 No 51	PISTON SET +.020" 8:1 COMP
409/030*	Plate 01 No 51	PISTON SET +0.30 8:1 COMP
409/040*	Plate 01 No 51	PISTON SET +.040" 8:1 COMP
409/060*	Plate 01 No 51	PISTON SET +.060" 8:1 COMP
2.4 & 240 ENGINE BLOCK PARTS.		
C19590	Plate 01 No 59	SUMP GASKET 1/2
C19590#	Plate 01 No 59	SUMP GASKET (PAIR)
C19590*	Plate 01 No 59	SUMP GASKET (PAIR)
C19590*COMP	Plate 01 No 59	SUMP GASKET (PAIR)
EAC8815	Plate 01 No 60	FRT CRANK OIL SEAL
EAC8815*	Plate 01 No 60	FRT CRANK OIL SEAL
C36499	Plate 01 No 61	REAR SUMP SEAL
C36499*	Plate 01 No 61	REAR SUMP SEAL
C23435	Plate 01 No 62	SUMP DRAIN PLUG
C23435*	Plate 01 No 62	SUMP DRAIN PLUG
C2296/1	Plate 01 No 63	COPPER WASHER
C2296/1*	Plate 01 No 63	COPPER WASHER
EAC8840	Plate 01 No 68	OIL PIPE O RING
EAC8840*	Plate 01 No 68	OIL PIPE O RING
C16751	Plate 01 No 69	STUD FOR PIPE
C4794	Plate 01 No 72	ENGINE MOUNTING
C18556	Plate 01 No 72	ENGINE MOUNTING
C18556#	Plate 01 No 72	ENGINE MOUNTING
C18556*	Plate 01 No 72	ENGINE MOUNTING
C12890*	Plate 01 No 75	REAR ENG.STAB.LINK
C10940	Plate 01 No 76	ANTI ROLL LINK BUSH
C10940#	Plate 01 No 76	ANTI ROLL LINK BUSH
C10940*	Plate 01 No 76	ANTI ROLL LINK BUSH
C11607*	Plate 01 No 77	LINK STEPPED WASHER
C11688	Plate 01 No 78	LINK STEPPED BUSH
C11688*	Plate 01 No 78	LINK STEPPED BUSH
BH607141J*	Plate 01 No 79	BOLT 7/16 X 1 3/4" UNF
NZ607041	Plate 01 No 80	NYLOC NUT 7/16" UNF
NZ607041*	Plate 01 No 80	NYLOC NUT 7/16" UNF
C20218*	Plate 01 No 81	MID ENGINE MOUNTING
C20218*HQ	Plate 01 No 81	MID ENGINE MOUNTING

IMPORTANT - Parts are genuine except - Product codes ending with : # = Original Equipment Supplier * = Reproduction/Non-O.E.

MK2 2.4-3.8 Price List

PARTNO	DESCRIPTION	David Manners Ltd MK2 2.4-3.8
CBC2517*	Plate 01 No 85	GEARBOX SPRING SEAT
C12265*	Plate 01 No 86	G/BOX CNTR.MTG BUSH
C45902/1	Plate 01 No 87	REAR MOUNTING Manual Cars & Auto .
C12299	Plate 01 No 87	REAR MOUNTING Manual with overdrive .
SECTION IS FOR 3.4 & 3.8 & 340 ENGINE BLOCK ..		
CPK3	Plate 1a No 00	CORE PLUG KIT
C315	Plate 1a No 02	CORE PLUG 1 & 3/4"
C315*	Plate 1a No 02	CORE PLUG 1 & 3/4"
C317*	Plate 1a No 00	CORE PLUG 1"
C2352*	Plate 1a No 03	OIL GALLERY PLUG
C2296/3*	Plate 1a No 04	COPPER WASHER
C44034	Plate 1a No 06	OIL GALLERY PLUG
C2296/2	Plate 1a No 08	COPPER WASHER
C2296/2*	Plate 1a No 08	COPPER WASHER
C13479	Plate 1a No 09	TIMING COVER DOWEL
C29035*	Plate 1a No 10	CYL HEAD STUD-162mm
C2270*	Plate 1a No 10	CYLINDER HEAD STUD
C29035* X 13, C2270* X 1, .. Required for Engines without lifting brackets		
C29035*	Plate 1a No 11	CYL HEAD STUD-162mm
C23609*	Plate 1a No 10	CYL HEAD STUD-175MM
Part number s C29035* x 10, C23609* x 3, C23610* x 1, Are required when engine brackets are fitted.		
HEADSTUDSET2	Plate 1a No 00	CYL HEAD STUD SET . Hi-Tensile studs .
DMJS24/1	Plate 1a No 00	CYL HEAD STUD-165MM
DMJS24/2	Plate 1a No 00	CYL HEAD STUD-175MM
DMJS24/1DOWEL	Plate 1a No 00	CYL HEAD STUD DOWEL
GMB10	Plate 1a No 13	CRANK SEAL CONV.KIT Alloy sump.
GMB11	Plate 1a No 13	CRANK SEAL CONV.KIT Std sump.
C19654*	Plate 1a No 14	REAR MAIN BRG (CRANK) SEAL
EBC9705	Plate 1a No 15	STUD RING DOWEL
C42302/4	Plate 1a No 16	REAR MAIN TORX SCREW
C42302/6	Plate 1a No 17	REAR MAIN TORX SCREW
C5846*	Plate 1a No 17	O/UNION BANJO BOLT
C5846/1*	Plate 1a No 17	O/UNION BANJO BOLT
C13457#	Plate 1a No 19	OIL GAUZE FILTER
C31616	Plate 1a No 20	CYL.BLOCK DRAIN PLUG
C31616*	Plate 1a No 20	CYL.BLOCK DRAIN PLUG
C4439/1*	Plate 1a No 20	RADIATOR DRAIN TAP
C18350/1*	Plate 1a No 23	CRANKSHAFT & BRGS
C18350/1E*	Plate 1a No 23	CRANKSHAFT & BRGS
-C18350/1E*		SURCHARGE
C4283*	Plate 1a No 24	CRANKSHAFT PLUG
C2226*	Plate 1a No 25	CRANK SPIGOT BUSH
C34744	Plate 1a No 26	THRUST WASHER STD
C34744*	Plate 1a No 26	THRUST WASHER STD
C34744/1*	Plate 1a No 26	THRUST WASHER O/SIZE
SECTION IS FOR 3.4 & 3.8 & 340 ENGINE		
M7118LC	Plate 1a No 27	MAIN BRG SET STD
M7118LC*	Plate 1a No 27	MAIN BRG SET STD
M7118LC/10	Plate 1a No 27	MAIN BRG SET +10
M7118LC/10*	Plate 1a No 27	MAIN BRG SET +10
M7118LC/20	Plate 1a No 27	MAIN BRG SET +20
M7118LC/20*	Plate 1a No 27	MAIN BRG SET +20
M7118LC/30*	Plate 1a No 27	MAIN BRG SET +30

IMPORTANT - Parts are genuine except - Product codes ending with : # = Original Equipment.Supplier * = Reproduction/Non-O.E.

MK2 2.4-3.8 Price List

PARTNO	DESCRIPTION	David Manners Ltd MK2 2.4-3.8
M7118LC/40*	Plate 1a No 27	MAIN BRG SET +40
M7118LC/50*	Plate 1a No 27	MAIN BRG SET +50
C15274*	Plate 1a No 29	CRANK DAMPER .EXCHANGE
-C15274*		SURCHARGE
C15274E*	Plate 1a No 29	CRANK.DAMPER EXCHANGE.
-C15274E*		SURCHARGE
C2466*	Plate 1a No 30	CRANK DAMPER CONE
C40147	Plate 1a No 31	CRANKSHAFT SPACER
C23701*	Plate 1a No 32	CRANK OIL THROWER
C2170*	Plate 1a No 33	CRANK CHAIN GEAR
C757	Plate 1a No 35	WOODRUFF KEY
C14589*	Plate 1a No 36	CRANKSHAFT PULLEY " vin number required
C19517*	Plate 1a No 36	CRANKSHAFT PULLEY " vin number required
C725	Plate 1a No 38	SHAKEPROOF WASHER
C725*	Plate 1a No 38	SHAKEPROOF WASHER
C2468	Plate 1a No 40	CRANK PULLEY WASHER
C2467*	Plate 1a No 38	CRANK PULLEY L/TAB
C7917/2*	Plate 1a No 42	CONNECTING ROD
SECTION IS FOR 3.4 & 3.8 & 340 ENGINE BLOCK		
C17164	Plate 1a No 00	SMALL END BUSH
C17164*	Plate 1a No 00	SMALL END BUSH
C17164#	Plate 1a No 00	SMALL END BUSH
B6545LC	Plate 1a No 43	BIG END BEARING SET STD
B6545LC*	Plate 1a No 43	BIG END BEARING SET STD
B6545LC/10	Plate 1a No 43	BIG END BRG SET +10
B6545LC/10*	Plate 1a No 43	BIG END BRG SET +10
B6545LC/20	Plate 1a No 43	BIG END BRG SET +20
B6545LC/20*	Plate 1a No 43	BIG END BRG SET +20
B6545LC/30	Plate 1a No 43	BIG END BRG SET +30
B6545LC/30*	Plate 1a No 43	BIG END BRG SET +30
B6545LC/40*	Plate 1a No 43	BIG END BRG SET +40
C23328ALUM	Plate 1a No 44	ALUMINIUM FLYWHEEL
Aluminum flywheels are as follows, 3.4 have 133 teeth. 3.8 has 104 teeth.		
C2313*	Plate 1a No 45	FLYWHEEL DOWEL
C8631*	Plate 1a No 46	FLYWHEEL DOWEL
C4855*	Plate 1a No 47	FLYWHEEL BOLT
C4810*	Plate 1a No 48	FLYWHEEL LOCK
MK2 3.4 ENGINE 8:1 COMP		
11546+20	Plate 1a No 49	PISTON ASSY +20 3.4 ENGINE 8:1 COMP
11546+30	Plate 1a No 49	PISTON ASSY +30 3.4 ENGINE 8:1 COMP
11546+40	Plate 1a No 49	PISTON ASSY +40 3.4 ENGINE 8:1 COMP
410/STD	Plate 1a No 49	PISTON SET ASSY STD 3.4 ENGINE 8:1 COMP
410/020	Plate 1a No 49	PISTON SET ASSY +20 3.4 ENGINE 8:1 COMP
410/030	Plate 1a No 49	PISTON SET ASSY +30 3.4 ENGINE 8:1 COMP
410/040	Plate 1a No 49	PISTON SET ASSY +40 3.4 ENGINE 8:1 COMP
410/060	Plate 1a No 49	PISTON SET ASSY +60 3.4 ENGINE 8:1 COMP
MK2 3.4 ENGINE		
GEG1115	Plate 1a No 00	CYL.HEAD GASKET SET 3.4
GEG1115*	Plate 1a No 00	CYL.HEAD GASKET SET 3.4
GEG1115*COMP	Plate 1a No 00	CYL.HEAD GASKET SET 3.4
GEG1115*COMP Nitrite Synthetic rubber bonded to aluminium. Core temperature resistance to over 250 degrees .		
GEG256	Plate 1a No 00	BOTTOM END GASKET SET.3.4.
GEG256*	Plate 1a No 00	BOTTOM END GASKET SET. 3.4.

IMPORTANT - Parts are genuine except - Product codes ending with : # = Original Equipment,Supplier * = Reproduction/Non-O.E.

MK2 2.4-3.8 Price List

PARTNO	DESCRIPTION	David Manners Ltd MK2 2.4-3.8
MK2 3.8 ENGINE 8:1 COMP		
18393	Plate 1a No 49	PISTON ASSY STD 3.8 ENGINE 8:1 COMP
18393+20	Plate 1a No 49	PISTON ASSY +20 3.8 ENGINE 8:1 COMP
18393+30	Plate 1a No 49	PISTON ASSY +30 3.8 ENGINE 8:1 COMP
411/STD	Plate 1a No 49	PISTON SET ASSY STD 3.8 ENGINE 8:1 COMP
411/020	Plate 1a No 49	PISTON SET ASSY +20 3.8 ENGINE 8:1 COMP
411/030	Plate 1a No 49	PISTON SET ASSY +30 3.8 ENGINE 8:1 COMP
411/040	Plate 1a No 49	PISTON SET ASSY +40 3.8 ENGINE 8:1 COMP
MK2 3.8 ENGINE 9:1 COMP		
20615	Plate 1a No 49	PISTON ASSY STD 3.8 ENGINE 9:1 COMP
20615+20	Plate 1a No 49	PISTON ASSY +20 3.8 ENGINE 9:1 COMP
411A/STD	Plate 1a No 49	PISTON SET ASSY STD 3.8 ENGINE 9:1 COMP
411A/020	Plate 1a No 49	PISTON SET ASSY +20 3.8 ENGINE 9:1 COMP
411A/030	Plate 1a No 49	PISTON SET ASSY +30 3.8 ENGINE 9:1 COMP
411A/040	Plate 1a No 49	PISTON SET ASSY +40 3.8 ENGINE 9:1 COMP
MK2 3.8 ENGINE		
GEG1116	Plate 1a No 00	CYLINDER HEAD GASKET SET 3.8.
GEG1116*	Plate 1a No 00	CYLINDER HEAD GASKET SET 3.8.
GEG1116*COMP	Plate 1a No 00	CYLINDER HEAD GASKET SET 3.8.
		GEG1116*COMP Nitrite Synthetic rubber bonded to aluminium.
		Core temperature resistance to over 250 degrees .
GEG256	Plate 1a No 00	BOTTOM END GASKET SET. 3.8.
GEG256*	Plate 1a No 00	BOTTOM END GASKET SET. 3.8.
PISTON RING SETS FOR 3.4 PISTONS		
R27556/30*	Plate 1a No 50	PISTON RING SET +30 3.4
R39420STD	Plate 1a No 50	PISTON RING SET STD 3.4
R39420STD*	Plate 1a No 50	PISTON RING SET STD 3.4
R39420/20*	Plate 1a No 50	PISTON RING SET +20 3.4
R39420/30*	Plate 1a No 50	PISTON RING SET +30 3.4
R39420/40*	Plate 1a No 50	PISTON RING SET +40 3.4
R39420/60*	Plate 1a No 50	PISTON RING SET +60 3.4
PISTON RING SETS FOR 3.8 PISTONS		
RA16586STD	Plate 1a No 50	PISTON RING SET STD 3.8
RA16586STD*	Plate 1a No 50	PISTON RING SET STD 3.8
RA16586/20	Plate 1a No 50	PISTON RING SET +20 3.8
RA16586/20*	Plate 1a No 50	PISTON RING SET +20 3.8
RA16586/30*	Plate 1a No 50	PISTON RING SET +30 3.8
RA16586/40*	Plate 1a No 50	PISTON RING SET +40 3.8
MK2 2.4,240, 3.4 & 3.8 340 ENGINE		
C19590	Plate 1a No 56	SUMP GASKET 1/2
C19590*	Plate 1a No 56	SUMP GASKET (PAIR)
C19590#	Plate 1a No 56	SUMP GASKET (PAIR)
C19590*COMP	Plate 1a No 56	SUMP GASKET (PAIR)
GEG256*	Plate 1a No 56	BOTTOM END GSKT SET
GEG256	Plate 1a No 56	BOTTOM END GSKT SET
EAC8815	Plate 1a No 57	FRT CRANK OIL SEAL
EAC8815*	Plate 1a No 57	FRT CRANK OIL SEAL
C36499	Plate 1a No 58	REAR SUMP SEAL
C36499*	Plate 1a No 57	REAR SUMP SEAL
C23435	Plate 1a No 59	SUMP DRAIN PLUG
C23435*	Plate 1a No 59	SUMP DRAIN PLUG
C23435/1*	Plate 1a No 59	SUMP DRAIN PLUG
C2296/1	Plate 1a No 60	COPPER WASHER
C2296/1*	Plate 1a No 60	COPPER WASHER

IMPORTANT - Parts are genuine except - Product codes ending with : # = Original Equipment.Supplier * = Reproduction/Non-O.E.

MK2 2.4-3.8 Price List

PARTNO	DESCRIPTION	David Manners Ltd MK2 2.4-3.8
EAC8840	Plate 1a No 64 OIL PIPE O RING	
EAC8840*	Plate 1a No 64 OIL PIPE O RING	
C16751	Plate 1a No 65 OIL PIPE STUD	
C12861*	Plate 1a No 66 OIL RETURN HOSE	
C17585*	Plate 1a No 69 DIPSTICK FELT	
C16758*	Plate 1a No 70 IGN.TIMING POINTER	
SECTION IS FOR 3.4 & 3.8 & 340 ENGINE BLOCK ..		
C4794	Plate 1a No 73 ENGINE MOUNTING	
C18556	Plate 1a No 73 ENGINE MOUNTING	
C18556*	Plate 1a No 73 ENGINE MOUNTING	
C18556#	Plate 1a No 73 ENGINE MOUNTING	
C12890*	Plate 1a No 76 REAR ENG.STAB.LINK	
C10940	Plate 1a No 77 MID-ENGINE MTG LINK BUSH	
C10940*	Plate 1a No 77 MID-ENGINE MTG LINK BUSH	
C10940#	Plate 1a No 77 MID-ENGINE MTG LINK BUSH	
C11607*	Plate 1a No 78 MID ENG LINK STEPPED WASHER	
C11688	Plate 1a No 79 MID ENG LINK STEPPED BUSH	
C11688*	Plate 1a No 79 MID ENG LINK STEPPED BUSH	
C20218*	Plate 1a No 80 MID ENGINE MOUNTING	
C20218*HQ	Plate 1a No 80 MID ENGINE MOUNTING	
CBC2517*	Plate 1a No 86 GEARBOX SPRING SEAT	
C12265*	Plate 1a No 87 G/BOX CNTR.MTG BUSH	
C45902/1	Plate 1a No 89 REAR MOUNTING SPRING	
C45902/1 is for manual transmission ..		
C12299	Plate 1a No 89 REAR MOUNTING SPRING	
C12299 is for manual transmission .with overdrive		
OIL PUMP SECTION 2.4, 3.4, 3.8, 240, 340.		
C21765/2	Plate 2 No 1 OIL PUMP ASSY	
C21765/2*	Plate 2 No 1 OIL PUMP ASSY	
C21765/2HC*	Plate 2 No 1 HIGH CAPACITY OIL PUMP	
C21848	Plate 2 No 7 OIL PUMP O RING	
C8649	Plate 2 No 8 OIL PUMP O RING	
C8649*	Plate 2 No 8 OIL PUMP O RING	
C8647	Plate 2 No 10 DRIVE SHAFT BUSH	
C2152	Plate 2 No 12 OIL PUMP BRASS GEAR	
C753	Plate 2 No 13 DRIVE SHAFT KEY	
NT609041	Plate 2 No 14 LOCKNUT 9/16" UNF	
NT609041*	Plate 2 No 14 LOCKNUT 9/16" UNF	
C2151*	Plate 2 No 15 OIL PUMP LOCKWASHER	
C9294	Plate 2 No 17 OIL PUMP DOWEL BOLT	
C9294#	Plate 2 No 14 OIL PUMP DOWEL BOLT	
C9294	Plate 2 No 17 OIL PUMP DOWEL BOLT	
C9294#	Plate 2 No 17 OIL PUMP DOWEL BOLT	
C7263*	Plate 2 No 19 OIL PIPE TAB WASHER	
C2220*	Plate 2 No 21 OIL PIPE GASKET	
C7263*	Plate 2 No 22 OIL PIPE TAB WASHER	
C28369	Plate 2 No 23 OIL PIPE SUPPORT	
C21794	Plate 2 No 26 OIL PUMP PIPE CLIP	
C21793*	Plate 2 No 27 OIL PUMP STRUT	
C21745	Plate 2 No 30 OIL SEALING PLATE	
C21744	Plate 2 No 31 OIL PIPE SPRING	
OIL CLEANER SECTION		
OFCK1	Plate 3 No 00 OIL FILTER CONV KIT "Eng number required"	
OFCK1 "Replacement oil filter is part number C2N3587.		

IMPORTANT - Parts are genuine except - Product codes ending with : # = Original Equipment.Supplier * = Reproduction/Non-O.E.

MK2 2.4-3.8 Price List

PARTNO	DESCRIPTION	David Manners Ltd MK2 2.4-3.8
OFCK2	Plate 3 No 00 OIL FILTER CONV KIT "Eng number required"	
	OFCK2 "Replacement oil filter is part number C2N3587.	
OFCK3	Plate 3 No 00 OIL FILTER CONV KIT "Eng number required"	
	OFCK3 "Replacement oil filter part number is EBC 9658"..	
6159*	Plate 3 No 03 OIL FILTER SPRING	
11665*	Plate 3 No 06 OIL FILTER WASHER	
6158*	Plate 3 No 08 OIL FILTER BOLT	
JLM9544	Plate 3 No 10 OIL FILTER ELEMENT	
JLM9544#	Plate 3 No 10 OIL FILTER ELEMENT	
6883*	Plate 3 No 11 OIL FILTER HEAD	
7310/5*	Plate 3 No 19 OIL.RELIEF.VALVE&SPR "Eng number required"	
C13091*	Plate 3 No 22 OIL FILTER GASKET "Eng number required"	
C16301*	Plate 3 No 22 OIL FILTER GASKET "Eng number required"	
C20532*	Plate 3 No 22 OIL FILTER GASKET "Eng number required"	
C12861*	Plate 3 No 24 OIL RETURN HOSE	
GAC1056	Plate 3 No 00 13 ROW OIL COOLER	
GAC1057	Plate 3 No 00 16 ROW OIL COOLER	

Water Cooling

WATER PUMP SECTION FOR 2.4 , 3.4, 3.8, 240, 340

PK5500	Plate 3a No 02 WATER PUMP REP KIT	
C22798*	Plate 3a No 07 WATER PUMP IMPELLOR	
C17654*	Plate 3a No 08 PUMP PULLEY CARRIER	
C2303	Plate 3a No 09 WATER PUMP GASKET	
C14588*	Plate 3a No 10 WATER PUMP PULLEY "Eng number required"	
C20176*	Plate 3a No 10 WATER PUMP PULLEY "Eng number required"	
SH605071J*	Plate 3a No 11 SETSCREW 5/16 X 7/8" UNF	
WE600051J*	Plate 3a No 12 SHAKEPROOF WASHER	
C12391*	Plate 3a No 13 COOLING FAN BLADE	
C5121*	Plate 3a No 14 FAN BALANCE PIECE	
C14723/1	Plate 3a No 15 FAN BELT MK2 2.4 "Eng number required"	
C19523*	Plate 3a No 15 FAN BELT MK2 2.4 "Eng number required"	
C15840*	Plate 3a No 15 FAN BELT 3.4 , 3.8 "Eng number requi	
C19525*	Plate 3a No 15 FAN BELT 3.4 , 3.8 , 340 "Eng number required	
C19521*	Plate 3a No 16 JOCKEY PULLEY	
C11597*WOV	Plate 3a No 21 BY PASS HOSE "Eng number required"	
C28406*WOV	Plate 3a No 21 BY PASS HOSE "Eng number required"	
C7548*WOV	Plate 3a No 21 BY-PASS HOSE "Eng number required"	
C17421	Plate 3a No 24 WATER PUMP ADAPTOR	
C2296/1	Plate 3a No 25 COPPER WASHER	
C41351/2	Plate 3a No 26 HEATER HOSE	
C41351/2*WOV	Plate 3a No 26 HEATER HOSE	
JHC200501*	Plate 3a No 27 HOSE CLIP	
C15727*	Plate 3a No 28 HEATER WATER PIPE SS	
C41351/2	Plate 3a No 30 HEATER HOSE	
C41351/2*WOV	Plate 3a No 30 HEATER HOSE	
JHC200501*	Plate 3a No 31 HOSE CLIP	
C16566*	Plate 3a No 32 HEATER WATER PIPE SS	
C16655*WOV	Plate 3a No 33 HEATER ELBOW HOSE	
JHC200501*	Plate 3a No 34 HOSE CLIP	
C17421*	Plate 3a No 35 WATER PUMP ADAPTOR	
C2296/1	Plate 3a No 36 COPPER WASHER	
C14999/1*WOV	Plate 3a No 37 HEATER HOSE	
C41351/2	Plate 3a No 37 HEATER HOSE	

IMPORTANT - Parts are genuine except - Product codes ending with : # = Original Equipment.Supplier * = Reproduction/Non-O.E.

MK2 2.4-3.8 Price List

PARTNO	DESCRIPTION	David Manners Ltd MK2 2.4-3.8
JHC200501*	Plate 3a No 38	HOSE CLIP
C16763*	Plate 3a No 39	HEATER WATER PIPE SS
C16655*WOV	Plate 3a No 40	HEATER ELBOW HOSE
HK013	Plate 3a No 00	WATER HOSE KIT MK2 2.4
HCS013	Plate 3a No 00	CLIP SET FOR HK013 MK2 2.4
HK012	Plate 3a No 00	WATER HOSE KIT 240
HCS012	Plate 3a No 00	CLIP SET FOR HK012 240
HK011	Plate 3a No 00	WATER HOSE KIT MK2 3.4, 3.8
HCS011	Plate 3a No 00	CLIP SET FOR HK011 MK2 3.4, 3.8
HTP8SS	Plate 3a No 00	HEATER PIPE KIT 2.4, 240
HTP9SS	Plate 3a No 00	HEATER PIPE KIT 3.4, 3.8

Cylinder Head

MK2 2.4 , 3.4, 3.8, & 240 ,340 CYLINDER HEAD SECTION

C2326*	Plate 4 No 02	CAMSHAFT COVER STUD
EBC9705	Plate 4 No 03	STUD RING DOWEL
C2157*	Plate 4 No 05	OIL GALLERY PLUG
C27477*	Plate 4 No 06	IN.VALVE GUIDE .005"
EAC7478	Plate 4 No 06	EX.VLV.GUIDE 0.005"
EAC7478*	Plate 4 No 06	EX.VLV.GUIDE 0.005"
VAG50913	Plate 4 No 06	EX.VLV.GUIDE 0.005"
C29122	Plate 4 No 08	INLET VALVE INSERT
C29124/1*	Plate 4 No 08	EXHAUST VALVE INSERT
GEG1115	Plate 4 No 00	CYL.HEAD GASKET SET 3.4
GEG1115*	Plate 4 No 00	CYL.HEAD GASKET SET 3.4
GEG1115*COMP	Plate 4 No 00	CYL.HEAD GASKET SET 3.4

**GEG1115*comp Nitrite Synthetic rubber bonded to aluminium.
Core temperature resistance of over 250 degrees.**

MK2 2.4 & 3.4 ENINGE SECTION

C19112	Plate 4 No 10	CYLINDER HEAD GASKET 2.4 / 3.4 .
C19112#	Plate 4 No 10	CYLINDER HEAD GASKET 2.4 / 3.4 .
C19112*COMP	Plate 4 No 10	CYLINDER HEAD GASKET 2.4 / 3.4 .

**C19112*COMP Nitrite Synthetic rubber bonded to aluminium.
Core temperature resistance of over 250 degrees.**

MK2 3.8 ENGINE SECTION.

GEG1116	Plate 4 No 00	CYL.HEAD GASKET SET 3.8
GEG1116*	Plate 4 No 00	CYL.HEAD GASKET SET 3.8
GEG1116*COMP	Plate 4 No 00	CYL.HEAD GASKET SET 3.8

**GEG1116*comp Nitrite Synthetic rubber bonded to aluminium.
Core temperature resistance of over 250 degrees.**

C19113*	Plate 4 No 10	CYLINDER HEAD GASKET 3.8
C19113#	Plate 4 No 10	CYLINDER HEAD GASKET 3.8
C19113*COMP	Plate 4 No 10	CYLINDER HEAD GASKET 3.8

**C19113*COMP Nitrite Synthetic rubber bonded to aluminium.
Core temperature resistance of over 250 degrees.**

MK2 ENGINE SECTION CONTINUED

C2189*	Plate 4 No 11	TIMING COVER STUD
C11761*	Plate 4 No 12	MANIFOLD STUD
C11761	Plate 4 No 12	MANIFOLD STUD
C11761*S/S	Plate 4 No 12	MANIFOLD STUD
C7624	Plate 4 No 13	EX.MANIFOLD STUD
C11761	Plate 4 No 14	INLET MANIFOLD STUD
C11761*	Plate 4 No 14	INLET MANIFOLD STUD
C11761*S/S	Plate 4 No 14	INLET MANIFOLD STUD

IMPORTANT - Parts are genuine except - Product codes ending with : # = Original Equipment.Supplier * = Reproduction/Non-O.E.

MK2 2.4-3.8 Price List

PARTNO	DESCRIPTION	David Manners Ltd MK2 2.4-3.8
C2183	Plate 4 No 15	INLET MANIFOLD STUD
C2183*	Plate 4 No 15	INLET MANIFOLD STUD
C2183*S/S	Plate 4 No 15	INLET MANIFOLD STUD
C6727/2	Plate 4 No 16	CAM COVER STUD
C6727/2*	Plate 4 No 16	CAM COVER STUD
C6727/2*S/S	Plate 4 No 16	CAM COVER STUD
C6727	Plate 4 No 17	BREATHER HSG.STUD
C6727*	Plate 4 No 17	BREATHER HSG.STUD
C37851*	Plate 4 No 18	ENGINE LIFTING EYE "Original "
MK2 ENGINE SECTION CONTINUED		
EAC1547	Plate 4 No 19	INLET VALVE
EAC1547#	Plate 4 No 19	INLET VALVE
EAC1547*	Plate 4 No 19	INLET VALVE
EAC1548#	Plate 4 No 20	EXHAUST VALVE
EAC1548*	Plate 4 No 20	EXHAUST VALVE
C7137	Plate 4 No 21	VALVE SPRING INNER
VSP480P*	Plate 4 No 22	VALVE SPRING SET
VSP94566P*	Plate 4 No 22	VALVE SPRING SET "Up Grade"
EBC3531	Plate 4 No 23	VALVE STEM SEAL
C34949#	Plate 4 No 23	VALVE STEM SEAL
C27481	Plate 4 No 24	VALVE SPRING SEAT
C27480	Plate 4 No 25	TOP VALVE COLLAR
C27480*	Plate 4 No 25	TOP VALVE COLLAR
EBC2997	Plate 4 No 26	VALVE COTTER PAIR
NAC2543AA	Plate 4 No 27	CAM FOLLOWER
C44010#	Plate 4 No 27	CAM FOLLOWER
C2243A	Plate 4 No 28	TAPPET SHIM 0.085 .16MM
C2243A TO C2243Z.. SHIMS		
C2243Z	Plate 4 No 28	TAPPET SHIM 0.110 2.79MM
C14985E*	Plate 4 No 28	INLET CAMSHAFT
-C14985E*		SURCHARGE
C13081E*	Plate 4 No 30	EXHAUST CAMSHAFT
-C13081E*		SURCHARGE
RTC2347#	Plate 4 No 31	CAMSHAFT BRG SET
C2324*	Plate 4 No 32	EX.CAM OIL THROWER
SH606041J	Plate 4 No 33	SETSCREW 3/8 X 1/2" UNF
SH606041J*	Plate 4 No 33	SETSCREW 3/8 X 1/2" UNF
FW106E*	Plate 4 No 34	COPPER WASHER
C2312*	Plate 4 No 35	EX.CAM COVER SEAL
C19043*	Plate 4 No 36	CAMSHAFT PLUG
C19044	Plate 4 No 37	FLANGED PLUG O RING
C19044*	Plate 4 No 37	FLANGED PLUG O RING
C14991	Plate 4 No 38	INLET CAM COVER SEAL
C14991*	Plate 4 No 38	INLET CAM COVER SEAL
C16771*	Plate 4 No 39	CAMSHAFT ADAPTOR
C25426	Plate 4 No 40	TACHOMETER DRIVE DOG
C25426*	Plate 4 No 40	TACHOMETER DRIVE DOG
C16773*	Plate 4 No 41	CAMSHAFT CIRCLIP
C14996*	Plate 4 No 42	REV COUNTER GENERAT
C14996E*	Plate 4 No 42	REV COUNTER GENERAT
C14990*	Plate 4 No 43	REV.GENERATOR O RING
C14992*	Plate 4 No 44	REV COUNTER SCREW
C15918*	Plate 4 No 45	GENERAT PLATE WASHER
C14988/1	Plate 4 No 48	CAM COVER GASKET RH

IMPORTANT - Parts are genuine except - Product codes ending with : # = Original Equipment.Supplier * = Reproduction/Non-O.E.

MK2 2.4-3.8 Price List

PARTNO	DESCRIPTION	David Manners Ltd MK2 2.4-3.8
C14988/1*	Plate 4 No 48	CAM COVER GASKET RH
C14988/1#	Plate 4 No 48	CAM COVER GASKET RH
C6735/1	Plate 4 No 50	CAM COVER GASKET LH
C6735/1*	Plate 4 No 50	CAM COVER GASKET LH
C6735/1#	Plate 4 No 50	CAM COVER GASKET LH
C2327*	Plate 4 No 51	ROCKER NUT CHROME
FW104E	Plate 4 No 52	COPPER WASHER
FW104E*	Plate 4 No 52	COPPER WASHER
C1022*	Plate 4 No 53	OIL FILLER CAP " With JAGUAR script".
C25480*	Plate 4 No 54	OIL FILLER CAP SEAL
C25619*	Plate 4 No 55	CYL HEAD OIL PIPE
C5846*	Plate 4 No 56	BANJO BOLT
C5846/1*	Plate 4 No 56	BANJO BOLT
C4146	Plate 4 No 57	COPPER WASHER
C37282	Plate 4 No 59	BREATHER GAUZE ASSY
C2227	Plate 4 No 60	BREATHER GASKET
C2227*	Plate 4 No 60	BREATHER GASKET
C2327*	Plate 4 No 61	BREATHER NUT, CHROME
FG104X*	Plate 4 No 62	SPRING WASHER 1/4"
FG104X	Plate 4 No 62	SPRING WASHER 1/4"
C2485*	Plate 4 No 63	3FT BREATHER PIPE "Eng number
C32944*	Plate 4 No 66	EXH MANIFOLD EARLY "Eng number
C32945*	Plate 4 No 67	EXH MANIFOLD EARLY "Eng number
C18398*	Plate 4 No 66	EXH MANIFOLD LATE "Eng number
C18399*	Plate 4 No 67	EXH MANIFOLD EARLY "Eng number
C2318*	Plate 4 No 68	EX.MANIFOLD GASKET
C2318AF	Plate 4 No 68	EX.MANIFOLD GASKET
C2369	Plate 4 No 69	EX.MANIFOLD STUD
C2369*	Plate 4 No 69	EX.MANIFOLD STUD
C2369RP	Plate 4 No 69	EX.MANIFOLD STUD "Over size "
C2369S/S	Plate 4 No 69	EX.MANIFOLD STUD S/S.
C17916*	Plate 4 No 00	EX.MANIFOLD NUT
C17916/1*	Plate 4 No 00	EX.MANIFOLD NUT
EBC9388A	Plate 4 No 70	EXHAUST FLANGE
EBC9388*	Plate 4 No 70	EXHAUST FLANGE
C7619/1*	Plate 4 No 72	INLET MANIF.GASKET "Eng number required"
C7619/1*COMP	Plate 4 No 72	INLET MANIF.GASKET "Eng number required"
C2496	Plate 4 No 73	THERMOSTAT HSG.STUD
C28701	Plate 4 No 74	THERMOSTAT HSG.STUD
C6570*	Plate 4 No 75	MANIFOLD STUD
C6570*S/S	Plate 4 No 75	MANIFOLD STUD
C17421	Plate 4 No 76	WATER PUMP ADAPTOR
EAC7044	Plate 4 No 79	THERMOSTAT GASKET
C2496	Plate 4 No 80	THERMOSTAT HSG.STUD
C27650	Plate 4 No 81	THERMOSTAT 74C "Eng number required"
C27650*	Plate 4 No 81	THERMOSTAT 74C "Eng number required"
C27650/1	Plate 4 No 81	THERMOSTAT 82C "Eng number required"
C27650/1#	Plate 4 No 81	THERMOSTAT 82C "Eng number required"
C28067	Plate 4 No 81	THERMOSTAT 74C "Eng number required"
C28067#	Plate 4 No 81	THERMOSTAT 74C "Eng number required"
C33177#	Plate 4 No 00	CHOKE OTTER SWITCH
C2475	Plate 4 No 00	OTTER SWITCH GASKET
C12422*	Plate 4 No 82	THERMOSTAT HOUSING "Eng number
C4985*	Plate 4 No 84	THERMOSTAT GASKET "Eng number

IMPORTANT - Parts are genuine except - Product codes ending with : # = Original Equipment,Supplier * = Reproduction/Non-O.E.

MK2 2.4-3.8 Price List

PARTNO	DESCRIPTION	David Manners Ltd MK2 2.4-3.8
C4985*COMP	Plate 4 No 84	THERMOSTAT GASKET "Eng number
C28892*	Plate 4 No 82	THERMOSTAT HOUSING 240/340
EAC7045	Plate 4 No 83	THERMOSTAT GASKET

Timing Gear

			MK2 ENGINE TIMING SECTION
C34022	Plate 5 No 02	SPROCKET ADJ.PIN	
C34034	Plate 5 No 02	SPROCKET ADJ.PLATE	
C30767	Plate 5 No 03	CAM COUPLING CIRCLIP	
C26740#	Plate 5 No 06	IDLER SPROCKET	
C4404#	Plate 5 No 08	CHAIN ADJUSTER	
C2297	Plate 5 No 10	PLUNGER PIN SPRING	
C25275	Plate 5 No 11	INT.CHAIN SPROCKET	
C25275*	Plate 5 No 11	INT.CHAIN SPROCKET	
C26608	Plate 5 No 12	IDLER SPROCKET SHAFT	
C16626	Plate 5 No 13	SHIM 0.003"	
C2256	Plate 5 No 15	TOP TIMING CHAIN	
C2256#	Plate 5 No 15	TOP TIMING CHAIN	
C2256*	Plate 5 No 15	TOP TIMING CHAIN	
C13616*	Plate 5 No 17	TOP CHAIN GUIDE LH	
C13617	Plate 5 No 18	TOP CHAIN GUIDE RH	
C13617#	Plate 5 No 18	TOP CHAIN GUIDE RH	
C13617*	Plate 5 No 18	TOP CHAIN GUIDE RH	
C13660*	Plate 5 No 19	TIMING DAMPER SPACER	
C8654*	Plate 5 No 20	BOTTOM TIMING CHAIN 2.4 & 240.	
C2255#	Plate 5 No 20	BOTTOM TIMING CHAIN 3.4 / 3.8 / 340 .	
C2255*	Plate 5 No 20	BOTTOM TIMING CHAIN 3.4 / 3.8 / 340 .	
C13613/1	Plate 5 No 21	INT.T/C/ DAMPER 2.4 / 240	
C13615/1*	Plate 5 No 21	INT.T/C/ DAMPER 3.4 / 3.8 Eng number	
C21815*	Plate 5 No 21	INT.T/C/ DAMPER 340 Eng number	
C21831	Plate 5 No 22	DAMPER LOCKWASHER	
C21831*	Plate 5 No 22	DAMPER LOCKWASHER	
C13614/1*	Plate 5 No 23	LOWER CHAIN DAMPER	
C20397*	Plate 5 No 24	LWR DAMPER L/WASHER	
EAC3629	Plate 5 No 245	HYD.CHAIN TENSIONER	
EAC3629#	Plate 5 No 24	HYD.CHAIN TENSIONER	
EAC3629*	Plate 5 No 24	HYD.CHAIN TENSIONER	
C13457#	Plate 5 No 28	OIL GAUZE FILTER	
C8615	Plate 5 No 30	TIMING COVER GASKET 3.4 & 3.8 & 340	
C8615*COMP	Plate 5 No 30	TIMING COVER GASKET 3.4 & 3.8 & 340	
EAC8815	Plate 5 No 31	FRT CRANK OIL SEAL	
EAC8815*	Plate 5 No 31	FRT CRANK OIL SEAL	
C25147*	Plate 5 No 32	DYNAMO LINK	

Fuel System

ZSK11	CARB.SERVICE KIT	MK2 2.4
ZRK3	CARB.REBUILD KIT	MK2 2.4 for two Crabs .
CSK22	CARB.SERVICE KIT	240 for two Crabs .
CRK243	CARB.REPAIR KIT	240 for two Crabs .
AUD256T#	PAIR CARBURETTERS	240
C13681#	FUEL FILTER ASSY	
C28080*	FUEL FILTER ELEMENT GLASS BOWL TYPE	
C3629*	PETROL FLEX.PIPE TO FUEL FILTER	
11713*	AIR FILTER ELEMENT	240 only

IMPORTANT - Parts are genuine except - Product codes ending with : # = Original Equipment.Supplier * = Reproduction/Non-O.E.

MK2 2.4-3.8 Price List

PARTNO	DESCRIPTION	David Manners Ltd MK2 2.4-3.8
AUE805#	CARB.GASKET PACK	MK2 3.4 & 3.8.
CSK37	CARB.SERVICE KIT	MK2 3.4 & 3.8.
CRK217	CARB.REPAIR KIT	MK2 3.4 & 3.8.
AUD9490#	CHOKE SOLENOID ASSY	
C7221#	CARBURETTER GASKET	
AUC8155J#	CARB.MAIN JET .100"	
AUD1319#	CARB.NEEDLE SC	MK2 3.4/3.8
AUD1354#	CARB.NEEDLE TM	MK2 3.4/3.8/340
AUD1099#	CARB.NEEDLE CI	MK2 3.4/3.8/340/S
C13681#	FUEL FILTER ASSY	
C28080*	FUEL FILTER ELEMENT	
C19530	AIR FILTER ELEMENT	340 only.
EAC4840	AIR FILTER ELEMENT	340 only.
C17565*	PETROL TANK	
C17565K	P/TANK FITTING KIT	
C23601*	PETROL CAP	
BD9898*	FUEL TANK NECK SEAL	
C23752*	PETROL TANK FILTER	
C26310*	FILTER SEALING RING	
C26310	FILTER SEALING RING	
C15476*	FUEL SENDER UNIT	
C937*	P/TANK UNIT GASKET	
UFS313/3H*	FUEL SENDER SCREW	
C2296/9*	COPPER WASHER for screw above .	
AUA152#	FUEL PUMP(ORIGINAL)	"Chassis number required"
AUA152EN#	FUEL PUMP ELECTRONIC	neg earth "Chassis number required"
AUA152EP#	FUEL PUMP ELECTRONIC	pos earth. "Chassis number required"
AZX1308	FUEL PUMP	"Chassis number required"
AZX1308#	FUEL PUMP	"Chassis number required"
AZX1308EN#	FUEL PUMP ELECTRONIC	"Chassis number required"
GAC501	FUEL PUMP HOSE	from pump to tank.
GAC502	FUEL PIPE KIT	front to rear.
C12305*	FLEX PIPE FROM PUMP	To main fuel line .
Clutch and Gearbox		
GEARBOX4	Plate 06 No 00 MANUAL GEARBOX 5 SPD MK2 New gearbox with linkage, 9.5" Clutch plate, speedo cable and gear lever and gearknob. RATIOS .1ST 3.31:1 .2ND 2.08:1.3RD 1.44:1 .4TH 1:1 Customers must use their own, Bellhousing , clutch fork and slave cylinder. Propshaft will have to be remade to suit when gearbox is fitted. The rear mounting point will need to be fabricated by the customer or if they can find an XJS HE or XJ12 HE rear gearbox mount CAC63227 this would be ideal. The supplier has not been able to manufacture the rear mounting at this time.	
HA3359	CLUTCH COVER ASSY	MK2 2.4 "exchange"
-HA3359	SURCHARGE	"exchange"
HB8748	CLUTCH PLATE	MK2 2.4
HD3301	CLUTCH RELEASE BRG	MK2 2.4 + 3.4 + 3.8 .

IMPORTANT - Parts are genuine except - Product codes ending with : # = Original Equipment.Supplier * = Reproduction/Non-O.E.

MK2 2.4-3.8 Price List

PARTNO	DESCRIPTION	David Manners Ltd MK2 2.4-3.8
HK9660E	CLUTCH KIT 216mm	240
-HK9660E	CLUTCH KIT 216mm	240
HD1099	CLUTCH RELEASE BRG	240
	HK5229AF up to engine number KJ8236	
HK9702	CLUTCH KIT 241MM	
	HK9702 from engine number KJ8237 .	
	CLUTCH CONTROLS SECTION	
C11910*	Plate 06 No 07	CLUTCH HSG.CVR.PLATE
C18739*	Plate 06 No 08	CLUTCH HOUSING SEAL
C41664*	Plate 06 No 09	FLYWHEEL COVER PLATE
C41664	Plate 06 No 09	FLYWHEEL COVER PLATE
C9857*	Plate 06 No 12	CLUTCH FORK SHAFT
C9797*	Plate 06 No 13	CLUTCH BEARING FORK
JLM9683*	Plate 06 No 15	HEX NUT 1/4" UNF
C5120	Plate 06 No 16	C/FORK RETURN SPRING
C5178*	Plate 06 No 17	CLUTCH SPRING PLATE
C21470	Plate 06 No 18	CLUTCH SLAVE CYL."Eng number required"
C21470*TRW	Plate 06 No 18	CLUTCH SLAVE CYL."Eng number required"
C21470#	Plate 06 No 18	CLUTCH SLAVE CYL."Eng number required"
C29801	Plate 06 No 18	CLUTCH SLAVE CYL."Eng number required"
C29801*	Plate 06 No 18	CLUTCH SLAVE CYL."Eng number required"
C29801#	Plate 06 No 18	CLUTCH SLAVE CYL."Eng number required"
8G8446J	Plate 06 No 00	CLUTCH SLAVE CYL.KIT
8G8446J*	Plate 06 No 00	CLUTCH SLAVE CYL.KIT
8G8446J#	Plate 06 No 00	CLUTCH SLAVE CYL.KIT
C23531*	Plate 06 No 28	CLUTCH SLAVE ROD.. "Eng number required"
CPK005	Plate 06 No 32	CLUTCH PIPE KIT MK2/ RHD
CPK006	Plate 06 No 32	CLUTCH PIPE KIT MK2/ LHD
C11603*	Plate 06 No 34	CLUTCH FLEX HOSE
C11603#	Plate 06 No 34	CLUTCH FLEX HOSE
C11603*B	Plate 06 No 34	CLUTCH FLEX HOSE
C20526#	Plate 06 No 39	CLUTCH M/CYLINDER
6593#	Plate 06 No 00	CLUTCH M/CYL KIT
C8966*	Plate 06 No 56	PEDAL RETURN SPRING
C8969	Plate 06 No 58	JAGUAR PEDAL RUBBER
C8969*	Plate 06 No 58	JAGUAR PEDAL RUBBER
	STANDARD 3 SYNCHRO GEARBOX SECTION	
	Indetified by Prefix G.B and suffix J.S. to the chassis number	
C23435	Plate 07 No 02	SUMP DRAIN PLUG
C23435*	Plate 07 No 02	SUMP DRAIN PLUG
C23435/1*	Plate 07 No 02	SUMP DRAIN PLUG
	C23435/1* is oversized	
AUC2141#	Plate 07 No 03	DRAIN SUMP FIBRE WASHER.
C23435	Plate 07 No 04	OIL FILLER PLUG
C23435*	Plate 07 No 04	OIL FILLER PLUG
C23435/1*	Plate 07 No 04	OIL FILLER PLUG
AUC2141#	Plate 07 No 05	OIL FILLER PLUG FIBRE WASHER
C1845/1*	Plate 07 No 09	G/BOX MAINSHAFT BRG
C1838*	Plate 07 No 11	CONSTANT PIN.BEARING
C920*	Plate 07 No 14	GEARBOX FIBRE WASHER
C1834*	Plate 07 No 15	CLUTCH HOUSING GSKT.
GG5001	Plate 07 No 15	GEARBOX GASKET SET 3 SYNCHRO

IMPORTANT - Parts are genuine except - Product codes ending with : # = Original Equipment.Supplier * = Reproduction/Non-O.E.

MK2 2.4-3.8 Price List

PARTNO	DESCRIPTION	David Manners Ltd MK2 2.4-3.8	
C9836*	Plate 07 No 18	G/BOX REAR OIL SEAL 3 SYNCHRO NON	
C9177*	Plate 07 No 20	SPEEDO DRIVE O RING	
C1319	Plate 07 No 32	DETENT BALL	
C837*	Plate 07 No 00	LOCKWIRE (METER) MOST MODELS	
C922*	Plate 07 No 35	STEEL BALL MOSS GEARBOX	
GG8001	Plate 07 No 37	GEARBOX GASKET SET MOSS GEARBOX	
DAC3844*	Plate 07 No 38	REVERSE LIGHT SWITCH	
C4531*	Plate 07 No 39	REV.SWITCH GASKET	
C860*	Plate 07 No 40	TOP COVER GASKET	
GG8001	Plate 07 No 40	GEARBOX GASKET SET 3 SYNCHRO	
C1319	Plate 07 No 46	DETENT BALL	
C930	Plate 07 No 50	WASHER	
C1907*	Plate 07 No 61	BUSH IN PIVOT JAW	
GG8001	Plate 07 No 62	GEARBOX GASKET SET 3	
C1906*	Plate 07 No 76	SELECTOR LEVER BUSH	
C1908*	Plate 07 No 77	SELECTOR THRUST	
C1912*	Plate 07 No 61	SEL.LEVER PIVOT PIN	
C16154*	Plate 07 No 61	GEAR LEVER KNOB 3 SYNCHRO	
C1928*	Plate 07 No 62	GEAR LEVER LOCKNUT	
C1915*	Plate 07 No 83	GEAR LEVER BUSH 3 SYNCHRO	
C1919/1	Plate 07 No 84	WASHER	
C900*	Plate 08 No 07	SYNCHRO HUB SPRING 3 SYNCHRO	
C922*	Plate 08 No 08	STEEL BALL MOSS GEARBOX	
C1850/2*	Plate 08 No 13	G/BOX NEEDLE ROLLER	
C922*	Plate 08 No 19	STEEL BALL MOSS GEARBOX	
C10200	Plate 08 No 22	CONTANT PINION SHAFT	
C1843*	Plate 08 No 23	1ST MOTION BEARING 3 SYNCHRO	
C4284*	Plate 08 No 35	REV.SPINDLE O RING	
C1856*	Plate 08 No 36	LAYSHAFT 3 SYNCHRO GEARBOX	
C10204*	Plate 08 No 37	GEAR CLUSTER/C/SHAFT	
C38573	Plate 08 No 39	NEEDLE ROLLER BRG	
C38573*	Plate 08 No 39	NEEDLE ROLLER BRG	
C1862*	Plate 08 No 41	LAYGEAR WASHER .159"	
C1862/1*	Plate 08 No 41	LAYGEAR WASHER .159"	
C1862/2*	Plate 08 No 41	LAYGEAR WASHER .162"	
C1862/3*	Plate 08 No 41	LAYGEAR WASHER .152"	
C1862/4*	Plate 08 No 41	LAYGEAR WASHER .164"	
STANDARD MOSS GEARBOX SECTION			
C19543*	Plate 09 No 02	GEARBOX DRAIN PLUG	
C23435	Plate 09 No 03	SUMP DRAIN PLUG	
C23435*	Plate 09 No 03	SUMP DRAIN PLUG	
C23435/1*	Plate 09 No 03	SUMP DRAIN PLUG (OVERSIZED)	
AUC2141#	Plate 09 No 04	SUMP PLUG WASHER	
C1845/1*	Plate 09 No 05	G/BOX MAINSHAFT BRG	
C20491*	Plate 09 No 06	CONSTANT PIN.BEARING	
C920*	Plate 09 No 10	GEARBOX FIBRE WASHER	
C20658*	Plate 09 No 12	CLUTCH HOUSING GSKT.	
C32592J	Plate 09 No 24	SPEEDO.DRIVE SEAL	
C9177*	Plate 09 No 25	SPEEDO DRIVE O RING	
C1319	Plate 09 No 41	DETENT BALL	
DAC3844*	Plate 09 No 49	REVERSE LIGHT SWITCH	
C4531*	Plate 09 No 50	REV.SWITCH GASKET	
C2296/1	Plate 09 No 52	COPPER WASHER	

IMPORTANT - Parts are genuine except - Product codes ending with : # = Original Equipment Supplier * = Reproduction/Non-O.E.

MK2 2.4-3.8 Price List

PARTNO	DESCRIPTION	David Manners Ltd MK2 2.4-3.8
C1907*	Plate 09 No 63	G/LVR.PIVOT JAW BUSH
C23178*	Plate 09 No 68	GEAR LEVER
C1906*	Plate 09 No 69	SELECTOR LEVER BUSH
C1908*	Plate 09 No 70	SELECTOR THRUST
C1929	Plate 09 No 71	SELECTOR LVR.WASHER
NZ607041	Plate 09 No 73	NYLOC NUT 7/16" UNF
NZ607041*	Plate 09 No 73	NYLOC NUT 7/16" UNF
C23178*	Plate 09 No 73	GEAR LEVER
C23007*	Plate 09 No 75	GEAR LEVER KNOB
C23006*	Plate 09 No 76	GEAR LEVER KNOB CONE
C22394*	Plate 09 No 77	UPPER G/LEVER BUSH
C21921*	Plate 09 No 79	LWR GEAR LEVER BUSH
C21098SH	Plate 10 No 11	REVERSE GEAR USED
C28429	Plate 10 No 12	MAINSHAFT 1ST.GEAR
	C28429.. FOR CLOSE RATIO GEARBOX ONLY	
C23109/3	Plate 10 No 14	G/BOX NEEDLE ROLLER
C23109/3*	Plate 10 No 14	G/BOX NEEDLE ROLLER
C24640	Plate 10 No 17	OPERATING SLEEVE
	C24640 .. FOR STANDARD RATIO GEARBOX ONLY	
	C28436 .. FOR CLOSE RATIO GEARBOX ONLY	
C21088	Plate 10 No 19	THRUST MEMB.PLUNGER
C27491*	Plate 10 No 23	SYNCHRO BALL SPRING
C28430#	Plate 10 No 24	SECOND GEAR
	C28430# FOR CLOSE RATIO GEARBOX ONLY	
C21082	Plate 10 No 25	GEAR 3RD SPEED
C23109/3	Plate 10 No 26	G/BOX NEEDLE ROLLER
C24639	Plate 10 No 29	SYNCHRO HUB 3RD/TOP
C24640	Plate 10 No 30	OPERATING SLEEVE
C21088	Plate 10 No 32	THRUST MEMB.PLUNGER
C27491*	Plate 10 No 33	SYNCHRO BALL SPRING
C1319	Plate 10 No 34	DETENT BALL
C24181*	Plate 10 No 35	PLUNGER BALL SPRING
C22391*	Plate 10 No 36	GEARBOX BAULK RING
C21618*	Plate 10 No 38	GEARBOX TAB WASHER
C25436	Plate 10 No 40	CONSTANT PIN SHAFT MK2
	C25436* ..FOR STANDARD RATIO GEARBOX ONLY	
C753	Plate 10 No 46	DRIVE SHAFT KEY
C930	Plate 10 No 50	WASHER
C753	Plate 10 No 55	DRIVE SHAFT KEY
C20712	Plate 10 No 56	GEAR CLUSTER
	C20712 . .FOR STANDARD RATIO GEARBOX ONLY	
	C20500 .. FOR CLOSE RATIO GEARBOX ONLY	
C38573	Plate 10 No 57	NEEDLE ROLLER BRG
C38573*	Plate 10 No 57	NEEDLE ROLLER BRG
C1862*	Plate 10 No 61	LAYGEAR WASHER .159"
C1862/1*	Plate 10 No 61	LAYGEAR WASHER .159"
C1862/2*	Plate 10 No 61	LAYGEAR WASHER .162"
C1862/3*	Plate 10 No 61	LAYGEAR WASHER .152"
C1862/4*	Plate 10 No 61	LAYGEAR WASHER .164"

Automatic Gearbox

DGBOXTC Plate 00 No 00 GEARBOX & T/CONVERTR BW MODEL DG

IMPORTANT - Parts are genuine except - Product codes ending with : # = Original Equipment, Supplier * = Reproduction/Non-O.E.

MK2 2.4-3.8 Price List

PARTNO	DESCRIPTION	David Manners Ltd MK2 2.4-3.8	
-DGBOXTC			SURCHARGE GEARBOX & T/CONVERTR
35BOXTC	Plate 00 No 00		GEARBOX & T/CONVERTR BW MODEL 35
-35BOXTC			SURCHARGE GEARBOX & T/CONVERT
C4794	Plate 00 No 00		GEAR BOX MOUNTING AUTO.
C20218*	Plate 00 No 00		MID ENGINE MOUNTING
C20218*HQ	Plate 00 No 00		MID ENGINE MOUNTING
CBC2517*	Plate 00 No 00		GEARBOX SPRING SEAT

Propshaft and Rear Axle

12*	Plate 00 No 00		PROP.YOKE FLANGE
JLM269	Plate 00 No 00		UNIVERSAL JOINT "Chassis number required"
JLM269*	Plate 00 No 00		UNIVERSAL JOINT "Chassis number required"
JLM823*	Plate 00 No 00		PROP UNIVERSAL JOINT "Chassis number
JLM823#	Plate 00 No 00		PROP UNIVERSAL JOINT "Chassis number

JLM823/1# is a heavy duty u.j..

REAR AXLE SECTION

12462*	Plate 00 No 00		CROWN WHEEL & PINION 4.09:1
CBC2258/6E	Plate 00 No 00		FINAL DRIVE UNIT NPL
-CBC2258/6E			SURCHARGE
7995*	Plate 00 No 00		REAR AXLE HALF SHAFT
RTC1009A#	Plate 00 No 00		COMPANION FLANGE
3855	Plate 00 No 00		SIDE GEAR T/WASHER
3854	Plate 00 No 00		DIFF GEAR WASHER
3837#	Plate 00 No 00		PINION MATE GEAR SHAT
3844#	Plate 00 No 00		INNER PINION BEARING
3861	Plate 00 No 00		DIFF PIN.SHIM .005" MOST MODELS
3843#	Plate 00 No 00		OUTER PINION BEARING
3931	Plate 00 No 00		DIFF REAR GASKET
3931*	Plate 00 No 00		DIFF REAR GASKET
3931*COMP	Plate 00 No 00		DIFF REAR GASKET
3840/1*	Plate 00 No 00		DIFF.PINION OIL SEAL
7993K	Plate 00 No 00		REAR WHEEL BRG.KIT
7993K*	Plate 00 No 00		REAR WHEEL BRG.KIT
			7953* Inc Hsg and Leather seal.
7953/1	Plate 00 No 00		REAR OUTER OIL SEAL
7953*RUB	Plate 00 No 00		REAR OUTER OIL SEAL
			7953*RUB Inc Hsg and rubber seal.

Suspension Front

C23314	Plate 11 No 04		SANDWICH MOUNTING "O.E"
C23314#	Plate 11 No 04		SANDWICH MOUNTING "O.E"
C23314*	Plate 11 No 04		SANDWICH MOUNTING "Copy"
C23314*P	Plate 11 No 04		SANDWICH MOUNTING "Poly"
C13918*	Plate 11 No 05		BOTTOM BUMP STOP
C9004#	Plate 11 No 06		FRONT VEE MOUNTING
C9004*	Plate 11 No 06		FRONT VEE MOUNTING
C8675*	Plate 11 No 11		DISTANCE WASHER
C8672*	Plate 11 No 12		UPPER WISHBONE BUSH "Copy"
C8672#	Plate 11 No 12		UPPER WISHBONE BUSH "O.E"
C8672	Plate 11 No 12		UPPER WISHBONE BUSH "O.E"
C8672*P	Plate 11 No 12		UPPER WISHBONE BUSH "Poly"
NL608041J	Plate 11 No 13		SLOTTED NUT 1/2"UNF
NL608041J*	Plate 11 No 13		SLOTTED NUT 1/2"UNF

IMPORTANT - Parts are genuine except - Product codes ending with : # = Original Equipment.Supplier * = Reproduction/Non-O.E.

MK2 2.4-3.8 Price List

PARTNO	DESCRIPTION	David Manners Ltd MK2 2.4-3.8			
C8676/1*	Plate 11 No 14	PLAIN WASHER			
CAC9938*	Plate 11 No 16	TOP BALL JOINT	"Copy"		
CAC9938*TRW	Plate 11 No 16	TOP BALL JOINT	"Copy"		
CAC9938#	Plate 11 No 16	TOP BALL JOINT	"O.E"		
CAC9938	Plate 11 No 16	TOP BALL JOINT	"O.E"		
C4740*	Plate 11 No 17	CASTOR DIST.PIECE			
C8918/1	Plate 11 No 20	FT.CAMBER SHIM .064"			
C8918/3	Plate 11 No 20	FT.CAMBER SHIM .036"			
BH606121J*	Plate 11 No 22	BOLT 3/8 X 1 1/2" UNF			
C15328	Plate 11 No 22	LOWER WISHBONE LEVER			
C8673*	Plate 11 No 24	LOWER WISHBONE BUSH	"Copy"		
C8673*P	Plate 11 No 24	LOWER WISHBONE BUSH	"Poly"		
C8673#	Plate 11 No 24	LOWER WISHBONE BUSH	"O.E"		
C10778*	Plate 11 No 25	LOWER FULCRUM SHAFT			
C8693/1*	Plate 11 No 26	LOWER W/BONE WASHER			
C16953*	Plate 11 No 28	FRONT ROAD SPRING MK2 2.4.			
C16954*	Plate 11 No 28	FRONT ROAD SPRING MK2 3.4/3.8			
SH605081*	Plate 11 No 31	SETSCREW 5/16 X 1" UNF			
C20989*B	Plate 11 No 34	FRT SHOCK BOGE			
C20989*M	Plate 11 No 34	FRT SHOCK MONROE			
C10996	Plate 11 No 35	SHOCK TOP BUSH.			
C10996*	Plate 11 No 35	SHOCK TOP BUSH.			
C10996*P	Plate 11 No 35	SHOCK TOP BUSH.			
C11045	Plate 11 No 36	INNER WASHER			
C11045*	Plate 11 No 36	INNER WASHER			
CCC6967	Plate 11 No 37	OUTER WASHER			
CCC6967*	Plate 11 No 37	OUTER WASHER			
JLM11906*	Plate 11 No 37a	WASHERS & RUBBERS SET .			
CBC1380*	Plate 11 No 41	LOWER BALL PIN			
QSJ221RK*	Plate 11 No 41a	LWR.BALL JOINT KIT			
CAC9937*	Plate 11 No 41a	LWR.BALL JOINT			
CAC9937*TRW	Plate 11 No 41a	LWR.BALL JOINT			
CAC9937#	Plate 11 No 41a	LWR BALL JOINT O.E			
JLM11860	Plate 11 No 41a	LWR BALL JOINT O.E			
CAC9937K	Plate 11 No 41a	LWR BALL JOINT BOLT KIT.			
C43216	Plate 11 No 50	BALL JOINT GAITER CLEAR			
C43216*	Plate 11 No 50	BALL JOINT GAITER CLEAR			
C43216*B	Plate 11 No 50	BALL JOINT GAITER BLACK			
C19423	Plate 11 No 55	STUB AXLE SHAFT			
C15350	Plate 11 No 56	FRONT HUB OIL SEAL			
C15350*	Plate 11 No 56	FRONT HUB OIL SEAL			
C15351	Plate 11 No 57	INNER WHEEL BEARING			
C15351#	Plate 11 No 57	INNER WHEEL BEARING			
C15352	Plate 11 No 58	OUTER WHEEL BEARING			
C15352#	Plate 11 No 58	OUTER WHEEL BEARING			
C19226/1*	Plate 11 No 60	LH FRONT HUB SPLINED for wire wheels .			
C19225/1*	Plate 11 No 60	RH FRONT HUB SPLINED for wire wheels.			
C18842	Plate 11 No 61	WATER SHIELD			
C28684*	Plate 11 No 63	RH WHEEL SPINNER JAG (OCTAGONAL)			
C28685*	Plate 11 No 63	LH WHEEL SPINNER JAG (OCTAGONAL)			
C28687*	Plate 11 No 64	SPINNER 3 EARED CONTINENTAL			
C1102*	Plate 11 No 63	RH WHEEL SPINNER			
C1103*	Plate 11 No 63	LH WHEEL SPINNER			

IMPORTANT - Parts are genuine except - Product codes ending with : # = Original Equipment.Supplier * = Reproduction/Non-O.E.

MK2 2.4-3.8 Price List

PARTNO	DESCRIPTION	David Manners Ltd MK2 2.4-3.8	
GAC1089	Plate 11 No 64	WOODEN SPINNER SAVER	
C22678/1*	Plate 11 No 66	TIE ROD ASSY ADJUST	
C29090*	Plate 11 No 69	LH NON PAS END ASSY	
-C29090*		SURCHARGE	
133101*	Plate 11 No 69	CENTRE TIE ROD BUSH	
133101/1*	Plate 11 No 69	CENTRE TIE ROD BUSH UPRATED	
C29095E*	Plate 11 No 69	PAS TIE ROD END LH	
-C29095E*		SURCHARGE	
C29094E*	Plate 11 No 69	P.A.S.TIE ROD END RH	
-C29094E*		SURCHARGE	
MNA3501AA	Plate 11 No 73	ANTI ROLL BAR BRKT.	
MNA3501AA*	Plate 11 No 73	ANTI ROLL BAR BRKT.	
C14983	Plate 11 No 74	ANTI ROLL BAR BUSH	"O.E"
C14983*	Plate 11 No 74	ANTI ROLL BAR BUSH	"Copy"
C14983*P	Plate 11 No 74	ANTI ROLL BAR BUSH	"Poly"
C14983*UR	Plate 11 No 74	ANTI ROLL BAR BUSH	
		C14983*UR .. POLYY BUSH 1 INCH DIAMETER NOT FOR STANDARD BAR	
C18303	Plate 11 No 75	A/R BUSH KEEP PLATE	
C20764*	Plate 11 No 77	ANTI ROLL BAR LINK	
C10940	Plate 11 No 78	ANTI ROLL LINK BUSH	"O.E"
C10940#	Plate 11 No 78	ANTI ROLL LINK BUSH	"O.E"
C10940*	Plate 11 No 78	ANTI ROLL LINK BUSH	"Copy"
C10996	Plate 11 No 79	RUBBER PAD AT UPPER END	"O.E"
C10996*	Plate 11 No 79	RUBBER PAD AT UPPER END	"Copy"
C10996*P	Plate 11 No 79	RUBBER PAD AT UPPER END	"Poly"
C11047*	Plate 11 No 80	BUSH DISTANCE TUBE	
C11045	Plate 11 No 81	ARB LINK BUSH WASHER	
C11045*	Plate 11 No 81	ARB LINK BUSH WASHER	

MK2 REAR SUSPENSION SECTION

Suspension Rear

VRSK1	Plate 12 No 01	REAR SUSPENSION KIT MK2	
C10791/2*	Plate 12 No 01	REAR ROAD SPRING	
C10844*	Plate 12 No 01a	CENTRE SPRING PAD	
C8939*	Plate 12 No 01b	REAR SPRING BUSH	
C10843*	Plate 12 No 02	SPRING END PAD	
C10843#	Plate 12 No 02	SPRING END PAD	
C12343SH	Plate 12 No 03	MOUNTING PLATE . Second hand .	
C10845*	Plate 12 No 04	REAR SPRING PLATE	
C10845*R	Plate 12 No 04	REAR SPRING PLATE	
C11091*	Plate 12 No 05	REAR SPRING PLATE	
C11091/1	Plate 12 No 05	REAR SPRING PLATE	
C14140*	Plate 12 No 06	PANHARD ROD	
C14140K	Plate 12 No 06	PANHARD ROD COMPLETE	
C11996*	Plate 12 No 07	PANHARD ROD ADJ.END	
NT609041	Plate 12 No 08	LOCKNUT 9/16" UNF	
NT609041*	Plate 12 No 08	LOCKNUT 9/16" UNF	
C11048*	Plate 12 No 10	PANHARD BUSH TUBE	
C11042*	Plate 12 No 11	OUTER WASHER THICK	
C11043*	Plate 12 No 12	INNER WASHER THIN	
C20990*B	Plate 12 No 13	REAR SHOCK ABSORBER	
82-1044	Plate 12 No 13	REAR SHOCK ABS KONI	
JLM11906*	Plate 12 No 14	RUBBER BUFFER SET	
C11045	Plate 12 No 15	INNER WASHER	

IMPORTANT - Parts are genuine except - Product codes ending with : # = Original Equipment.Supplier * = Reproduction/Non-O.E.

MK2 2.4-3.8 Price List

PARTNO	DESCRIPTION	David Manners Ltd MK2 2.4-3.8
C11045*	Plate 12 No 15 INNER WASHER	
CCC6967	Plate 12 No 16 OUTER WASHER	
CCC6967*	Plate 12 No 16 OUTER WASHER	
JLM9685	Plate 12 No 17 PLAIN NUT	
JLM9685*	Plate 12 No 17 PLAIN NUT	
NT606041J	Plate 12 No 18 LOCKING NUT	
NT606041J*	Plate 12 No 18 LOCKING NUT	

Wheels

C3041*	ROAD WHEEL NUT
XW455S	PAINTED WIRE WHEEL 1959 TO 1967
XW455C/2	CHROME WIRE WHEEL 1959 TO 1967
XW455-ST/3	WIRE WHEEL STAINLESS 1959 TO 1967

XW472S	PAINTED WIRE WHEEL 1967 TO 1970
XW472C/1	CHROME WIRE WHEEL 1967 TO 1970
XW472-ST/3	WIRE WHEEL STAINLESS 1967 TO 1970
XWCLEANER	WIRE WHEEL CLEANING KIT
RB15	15 INCH RIM BANDS 15" WIRE WHEELS
GAC1089	SPINNER SAVER

C3243A*	HUB CAP EARLY TYPE MK2
C23963*	JAGUAR EARLY HUB CAP BADGE MK2
C27134	LATE HUB CAP LARGE
C27134*	LATE HUB CAP LARGE
C27140	LATE HUBCAP BADGE
C27140#	LATE HUBCAP BADGE
C22583	HUB CAP BADGE CLIP
C22583*	HUB CAP BADGE CLIP
C21983*	RIMBELLISHER 15" 5J
C1102*	RH WHEEL SPINNER MOST JAGUAR MODELS
C1103*	LH WHEEL SPINNER MOST JAGUAR MODELS
C28685*	LH WHEEL SPINNER JAG (OCTAGONAL)
C28684*	RH WHEEL SPINNER JAG (OCTAGONAL)

Front Brakes

CC01/V	Plate 12 No 01	VENTED CALIPER KIT. Vented Disc's included
10821#	Plate 12 No 02	BRAKE PADS SET O.E.
10821*		BRAKE PADS F/R MK2/V8/E-TYPE S1
10821GS	Plate 12 No 02	BRAKE PADS SET Green stuff road.
10821RPC	Plate 12 No 02	BRAKE PADS SET Red stuff road and race.
10821YS	Plate 12 No 02	BRAKE PADS SET Yellow stuff race only.
7718*	Plate 12 No 03	PAD KEEP PLATE
7719*	Plate 12 No 04	BRAKE PAD RETAINER
SH604071J	Plate 12 No 05	BOLT 1/4 X 7/8" UNF
SH604071J*	Plate 12 No 05	BOLT 1/4 X 7/8" UNF
JLM9683*	Plate 12 No 06	HEX NUT 1/4" UNF
C724	Plate 12 No 07	SHAKEPROOF WASHER
C724*	Plate 12 No 07	SHAKEPROOF WASHER
8777#	Plate 12 No 08	PISTON+CYL FRONT ASSY
7720*	Plate 12 No 09	PISTON CYLINDER BOLT
C724	Plate 12 No 10	SHAKEPROOF WASHER
C724*	Plate 12 No 10	SHAKEPROOF WASHER
6911*	Plate 12 No 11	BRAKE BLEED SCREW

IMPORTANT - Parts are genuine except - Product codes ending with : # = Original Equipment.Supplier * = Reproduction/Non-O.E.

MK2 2.4-3.8 Price List

PARTNO	DESCRIPTION	David Manners Ltd MK2 2.4-3.8
C13198*	Plate 12 No 13	CALIPER SHIM 0.005
BDSMK2	Plate 12 No 14	FRT BRAKE DISC SHIELDS PAIR.

Rear Brakes

USE DAIMLER V8 BRAKE PAGE FO PIC

CC01/RC	Plate 13 No 01	REAR CALIPER UPGRADE
10821#	Plate 13 No 02	BRAKE PADS SET O.E.
10821GS	Plate 13 No 02	BRAKE PADS SET Green stuff road.
10821RPC	Plate 13 No 02	BRAKE PADS SET Red stuff road and race.
10821YS	Plate 13 No 02	BRAKE PADS SET Yellow stuff race only.
7718*	Plate 13 No 03	PAD KEEP PLATE
7719*	Plate 13 No 04	BRAKE PAD RETAINER
7720*	Plate 13 No 05	BOLT
JLM9683*	Plate 13 No 06	HEX NUT 1/4" UNF
C724	Plate 13 No 07	SHAKEPROOF WASHER
C724*	Plate 13 No 07	SHAKEPROOF WASHER
8816#	Plate 13 No 08	PISTON+CYL REAR
7720*	Plate 13 No 09	PISTON CYLINDER BOLT
C724*	Plate 13 No 10	SHAKEPROOF WASHER
6911*	Plate 13 No 11	BRAKE BLEED SCREW (SINGLE)
C13198*	Plate 13 No 13	CALIPER SHIM 0.005
C13199*	Plate 13 No 13	CALIPER SHIM 0.020
8940	Plate 13 No 19	H/B RETURN SPRING
8940*	Plate 13 No 19	H/B RETURN SPRING
8836*	Plate 13 No 20	HANDBRAKE PAWL
8837	Plate 13 No 21	H/B TENSION SPRING
8837*	Plate 13 No 21	H/B TENSION SPRING
8838	Plate 13 No 22	SPRING ANCHOR PIN
8980*	Plate 13 No 23	H/B ADJUSTING NUT
8840	Plate 13 No 24	H/B FRICTION SPRING
8840*	Plate 13 No 24	H/B FRICTION SPRING
8841	Plate 13 No 25	HANDBRAKE HINGE PIN
8841*	Plate 13 No 25	HANDBRAKE HINGE PIN
8845	Plate 13 No 30	H/B ADJUSTING BOLT
8845*	Plate 13 No 30	H/B ADJUSTING BOLT
8016*SS	Plate 13 No 32	HANDBRAKE CAL.BOLT
8016	Plate 13 No 32	HANDBRAKE CAL.BOLT
8846*	Plate 13 No 33	HANDBRAKE FORK
8014*	Plate 13 No 34	H/B BOLT LOCKWASHER
8522*	Plate 13 No 00	HANDBRAKE PAD SET
8522K	Plate 13 No 00	HANDBRAKE REPAIR KIT
C13065*	Plate 13 No 36	REAR BRAKE DISC
C13065/1*	Plate 13 No 36	REAR BRAKE DISC

Braking System

C19612E	Plate 00 No 00	BRAKE SERVO EXCH.
-C19612E		SURCHARGE
LE10117	Plate 00 No 00	BRAKE SERVO 3:1 +KIT
		LE10117 Modern Alternative .
LR18230	Plate 00 No 00	BRAKE SERVO 4.25:1
		LR18230 Modern Alternative .
8055#	Plate 00 No 00	SERVO VACUUM REP.KIT
C24910	Plate 00 No 00	BRAKE VACUUM TANK
C24910*	Plate 00 No 00	BRAKE VACUUM TANK

IMPORTANT - Parts are genuine except - Product codes ending with : # = Original Equipment.Supplier * = Reproduction/Non-O.E.

MK2 2.4-3.8 Price List

PARTNO	DESCRIPTION	David Manners Ltd MK2 2.4-3.8	
C24913*	Plate 00 No 00	BRAKE VAC.TANK GUARD	
C27306/1*	Plate 00 No 00	BRAKE VACUUM VALVE	
JLM1455M*	Plate 00 No 00	AIR VACUUM HOSE (PER MTR)	
C14717*	Plate 00 No 00	BRAKE SERVO BANJO	
C23638*	Plate 14 No 01	B/FLUID RESERVOIR LONG	
C23632*	Plate 14 No 02	B/LEVEL INDICATOR	
C23627*	Plate 14 No 00	BRAKE RESER.COVER	
C23497*	Plate 14 No 03	B/FLUID BOTTLE BRKT. MK2 RHD	
C5173*	Plate 14 No 03	B/FLUID BOTTLE BRKT. MK2 LHD	
C21427*	Plate 14 No 00	BRAKE RESERVOIR PIPE MK2/V8	
JHC200101	Plate 14 No 00	CLIPSECURING HOSE TO HYDRAULIC	
C27160*	Plate 14 No 06	BRAKE MASTER CYL	
C27160#	Plate 14 No 06	BRAKE MASTER CYL	
C27160 Replaces early and late master cylinders but you must also buy GAC1099K to make it fit .			
GAC1099	Plate 14 No 06	BRAKE M/CYL SPACER	
GAC1099KIT	Plate 14 No 06	BRAKE M/CYL SPACER KIT.	
11608#	Plate 14 No 00	BRAKE MASTER CYL KIT	
605164*	Plate 14 No 00	BRAKE MASTER CYL KIT	
C13247	Plate 14 No 22	BRAKE PEDAL RHD MANUAL	
C8963*	Plate 14 No 24	PEDAL RETURN SPRING MOST	
C8969	Plate 14 No 26	JAGUAR PEDAL RUBBER	
C8969*	Plate 14 No 26	JAGUAR PEDAL RUBBER	
C19612E	Plate 14 No 27	BRAKE SERVO EXCH.	
-C19612E		SURCHARGE	
BD29992*	Plate 14 No 00	BRAKE SERVO SHIELD	
LE10117	Plate 14 No 27	BRAKE SERVO 3:1 +KIT	
LE10117*	Plate 14 No 27	BRAKE SERVO 3:1 +KIT	
LR18230	Plate 14 No 27	BRAKE SERVO 4.25:1	
LE10117 and LR18230 are brand new Lockhead replacement servo's. They will need a little work to fit them in place of the Original, but they have a much smoother pedal action ..			
JHC200501*	Plate 14 No 32	HOSE CLIP	
GL5501	Plate 14 No 36	COPPER BRAKE PIPES 2.4 MK2 TO 1966	
GB5501K	Plate 14 No 36	KUNIFER BRAKE PIPES 2.4 MK2 TO 1966	
GL5501	Plate 14 No 36	COPPER BRAKE PIPES 2.4 MK2 TO 1966	
GL5501K	Plate 14 No 36	KUNIFER BRAKE PIPES 2.4 MK2 TO 1966	
GB5502	Plate 14 No 36	COPPER BRAKE PIPES 2.4 MK2 1966	
GB5502K	Plate 14 No 36	KUNIFER BRAKE PIPES 2.4 MK2 1966	
GL5502	Plate 14 No 36	COPPER BRAKE PIPES 2.4 MK2 1966 ON	
GL5502K	Plate 14 No 36	KUNIFER BRAKE PIPES 2.4 MK2 1966 ON	
GB5503	Plate 14 No 36	COPPER BRAKE PIPES 3.4/3.8 MK2 TO 1966	
GB5503K	Plate 14 No 36	KUNIFER BRAKE PIPES 3.4/3.8 MK2 TO	
GL5503	Plate 14 No 36	COPPER BRAKE PIPES MK2 LHD TO 1966	
GL5503K	Plate 14 No 36	KUNIFER BRAKE PIPES MK2 LHD TO 1966	
GB5504	Plate 14 No 36	COPPER BRAKE PIPES 3.4/3.8 MK2 1966 ON	
GB5504K	Plate 14 No 36	KUNIFER BRAKE PIPES 3.4/3.8 MK2 1966	
GL5504	Plate 14 No 36	COPPER BRAKE PIPES MK2 LHD FROM	
GL5504K	Plate 14 No 36	KUNIFER BRAKE PIPES MK2 LHD FROM	
"WE ONLY SELL FULL BRAKE PIPE SETS"...			
C2708*	Plate 14 No 39	WIRING GROMMET	
C13686#	Plate 14 No 40	FRONT BRAKE HOSE	
C13686*	Plate 14 No 40	FRONT BRAKE HOSE	

IMPORTANT - Parts are genuine except - Product codes ending with : # = Original Equipment.Supplier * = Reproduction/Non-O.E.

MK2 2.4-3.8 Price List

PARTNO	DESCRIPTION	David Manners Ltd MK2 2.4-3.8
C13686*B	Plate 14 No 40	FRONT BRAKE HOSE S/S BRAIDED.
C3910*	Plate 14 No 41	BRAKE HOSE NUT
C3911*	Plate 14 No 42	BRAKE HOSE L/WASHER
NT606041J	Plate 14 No 43	LOCKING NUT
C726	Plate 14 No 44	SHAKEPROOF WASHER
C13687#	Plate 14 No 48	REAR BRAKE HOSE
C13687*	Plate 14 No 48	REAR BRAKE HOSE
C13687*B	Plate 14 No 48	REAR BRAKE HOSE S/S BRAIDED.
C3910*	Plate 14 No 49	BRAKE HOSE NUT
C3911*	Plate 14 No 50	BRAKE HOSE L/WASHER
C11239#	Plate 14 No 51	B/HOSE COPPER WASHER
C13685*	Plate 14 No 52	3 WAY BRAKE UNION
C15512*	Plate 14 No 00	MAIN H/BRAKE CABLE
C15512*	Plate 14 No 00	MAIN H/BRAKE CABLE
C19495*	Plate 14 No 00	AXLE BRAKE CABLE RH
C19496*	Plate 14 No 00	AXLE BRAKE CABLE LH
C16660#	Plate 14 No 00	HANDBRAKE SWITCH

Steering and Controls

PSK3	POWER STG.RACK KIT	MK2	RHD	DYNAMO
PSK4	POWER STG.RACK KIT	MK2	LHD	DYNAMO
PSK1	POWER STG.RACK KIT	MK2	RHD	ALTERNATOR
PSK1/1	POWER STG.RACK KIT	MK2	RHD	ALTERNATOR
PSK2	POWER STG.RACK KIT	MK2	LHD	ALTERNATOR
PSK2/1	POWER STG.RACK KIT	MK2	LHD	ALTERNATOR
PSK5	POWER STG.RACK KIT	MK2 2.4, 240	LHD	DYNAMO
PSK6	POWER STG.RACK KIT	MK2 2.4, 240	RHD	DYNAMO
PSK18	POWER STG.RACK KIT	MK2 2.4, 240	RHD	ALTERNATOR
PSK18/1	POWER STG.RACK KIT	MK2 2.4, 240	RHD	ALTERNATOR
PSK19	POWER STG.RACK KIT	MK2 2.4, 240	LHD	ALTERNATOR

The above parts are an up-grade to a steering rack from a steering box.

C14845E*	MANUAL STEERING BOX RHD "STANDARD RATIO"
-C14845E*	SURCHARGE
C14846E*	MANUAL STEERING BOX LHD "STANDARD RATIO"
-C14846E*	SURCHARGE
C8927E*	MANUAL STEERING BOX RHD "HIGH RATIO"
-C8927E*	SURCHARGE
C8928E*	MANUAL STEERING BOX LHD "HIGH RATIO"
-C8928E*	SURCHARGE
C12212E*	MANUAL STEERING BOX RHD "HIGH RATIO"
-C12212E*	SURCHARGE
C12213E*	MANUAL STEERING BOX RHD "HIGH RATIO"
-C12213E*	SURCHARGE
-C21837E*	SURCHARGE
C21836E*	BURMAN PAS STEERING BOX EXCH. LHD 1960 to 1967
-C21836E*	SURCHARGE
8316*	P.A.S.BOX SEAL KIT 1960 to 1967.
-C25376E*	SURCHARGE
C25377E*	HALE PAS STEERING BOX EXCH LHD 1960 to 1967
-C25377E*	SURCHARGE
8316*	P.A.S.BOX SEAL KIT 1960 to 1967.
C26018E*	ADWEST PAS STEERING BOX EXCH. R.H.D. 1967 to 1969
-C26018E*	SURCHARGE

IMPORTANT - Parts are genuine except - Product codes ending with : # = Original Equipment Supplier * = Reproduction/Non-O.E.

MK2 2.4-3.8 Price List

PARTNO	DESCRIPTION	David Manners Ltd MK2 2.4-3.8
C26019E*	ADWEST PAS STEERING BOX EXCH. L.H.D. 1967 to 1969	
-C26019E*	SURCHARGE	
11026	EXTERN.PAS SEAL KIT 1967 to 1969	
11026*	EXTERN.PAS SEAL KIT 1967 to 1969	
11027	INTERN.PAS SEAL KIT 1967 to 1969	
11027	INTERN.PAS SEAL KIT 1967 to 1969	
C16190E*	POWER STG PUMP EXCH. MK2/S-TYPE	
-C16190E*	CORE SURCHARGE	
7560*	P.A.S.PUMP BODY SEAL	
10236*	PAS PUMP KIT HOBOURN	
C16189/1SH	P.A.S.RESERVOIR S/H	
7752*	P.A.S PUMP FILTER	
C13844*	DYNAMO DRIVE DOG TO P.A.S. PUMP.	
C25563*	P.A.S.HIGH PRES.HOSE RHD "Vin Number required".	
C25564*	P.A.S.HIGH PRES.HOSE LHD "Vin Number required".	
150696*	STG COLUMN RUBBER COUPLING	
5426*	STG COLUMN LOWER UJ	
9614*	STG U/J NYLON UPPER ROLLER	
C20149*	TOP STG COLUMN FELT Early	
C13855*	BTM STG COLUMN FELT Early	
C23593	TOP STG.COLUMN BUSH Late	
C23592/3	STG.COL.BUSHES PAIR Late	
C15665*	HORN RING REPAIR KIT	
C16792*	UPPER STEERING COWL	
C20792*	LOWER STEERING COWL	
BELOW ARE ARANAGE OF MOTOLITA WOOD & LEATHER STEERING WHEELS .		
MLW1087-14	STG WHEEL 14" MK3 WIDE SLOT FLAT	
MLW1087-15	STG WHEEL 15" MK3 WIDE SLOT FLAT	
MLW1088-14	STG WHEEL 14" MK3 WIDE SLOT DISHED	
MLW1088-15	STG WHEEL 15" MK3 WIDE SLOT DISHED	
MLW1092-15	STG WHEEL 15" MK10 FLAT	
MLW1093-14	STG WHEEL 14" MK3 THIN SLOT DISH	
MLW1093-15	STG WHEEL 15" MK3 THIN SLOT DISHED	
MLW1094-14	STG WHEEL 14" MK3 THIN SLOT FLAT	
MLW1094-15	STG WHEEL 15" MK3 THIN SLOT FLAT	
MLW1094-16	STG WHEEL 16" MK3 THIN SLOT FLAT	
MLW1095-14	STG WHEEL 14" WALNUT MK9 HOLES FLAT	
MLW1095-15	STG WHEEL 15" WALNUT MK9 HOLES FLAT	
MLW1095-15W	STG WHEEL 15" WALNUT 4 SPOKE FLAT	
MLW1096-14	STG WHEEL 14" MAHOG MK9 HOLES FLAT	
MLW1096-15	STG WHEEL 15" MAHOG MK9 HOLES FLAT	
MLW1097-14	STG WHEEL 14" WALNUT MK9 THIN SLOT FLAT	
MLW1097-15	STG WHEEL 15" WALNUT MK9 THIN SLOT FLAT	
MLW1098-14	STG WHEEL 14" WALNUTMK9 THIN SLOT DISHED	
MLW1098-15	STG WHEEL 15" WALNUTMK9 THIN SLOT DISHED	
MLW1099-14	STG WHEEL 14" MAHOG MK9 HOLES DISHED	
MLW1099-15	STG WHEEL 15" MAHOG MK9 HOLES DISHED	
MLW1112-15	STG WHEEL 15" LEATHER MK4 FLAT	
MLW1113-15	STR WHEEL 15" LEATHER HOLES DISHED	
MLW1115-14	STG WHEEL 14" WOOD MK3 HOLES FLAT	
MLW1115-16	STG WHEEL 16" WOOD MK3 HOLES FLAT	
MLW1116-15	STG WHEEL 16" WOOD MK3 DISHED	
MLW1	SMALL BILLET CAP WITH LOGO RECESS	

IMPORTANT - Parts are genuine except - Product codes ending with : # = Original Equipment.Supplier * = Reproduction/Non-O.E.

MK2 2.4-3.8 Price List

PARTNO	DESCRIPTION	David Manners Ltd MK2 2.4-3.8
MLW3	SMALL BILLET HORN WITH BADGE	
MLW5	SMALL BILLET CAP PLAIN	
MLW7	SMALL BILLET HORN SMOOTH FINISH	
MLWTR	TOP RING & SCREW KIT VARIOUS	
B33	MOTO-LITA BOSS	
B33D	MOTO-LITA BOSS	
B33P	POLISHED BOSS	

Cooling System

C27105*	Plate 15 No 01	RADIATOR - NEW	"Chassis number
C27105E*	Plate 15 No 01	RADIATOR-RECORED	"Chassis number
-C27105E*		SURCHARGE	
C27105L	Plate 15 No 01	ALLOY RADIATOR	"Chassis number
C27105*	Plate 15 No 01	RADIATOR - NEW	"Chassis number
C27105E*	Plate 15 No 01	RADIATOR-RECORED	"Chassis number
C27105L	Plate 15 No 01	ALLOY RADIATOR	"Chassis number
C28969E*	Plate 15 No 01	RADIATOR-RECORED	240/340 MANUAL
-C28969E*		SURCHARGE	
C28970E*	Plate 15 No 01	RADIATOR-RECORED	240/340
-C28970E*		SURCHARGE	
C18460#	Plate 15 No 02	RADIATOR CAP 4LB	
C18484	Plate 15 No 02	RADIATOR CAP 7LB	
C18484#	Plate 15 No 02	RADIATOR CAP 7LB	
C8975*	Plate 15 No 03	RADIATOR MTG PAD	
C8976	Plate 15 No 04	MTG.DISTANCE TUBE	
C8976*	Plate 15 No 04	MTG.DISTANCE TUBE	
C12222*	Plate 15 No 06	RADIATOR FIXING BOLT	
C726	Plate 15 No 07	SHAKEPROOF WASHER	
NY606041J	Plate 15 No 08	NYLOC NUT 3/8" UNF	
C4439/1*	Plate 15 No 09	RADIATOR DRAIN TAP	
C784	Plate 15 No 10	FIBRE WASHER	
CZK4308J	Plate 15 No 12	GROMMET	
C24965*	Plate 15 No 15	RADIATOR FAN COWL	
NT605041J*	Plate 15 No 16	NUT	
C725	Plate 15 No 17	SHAKEPROOF WASHER	
C725*	Plate 15 No 17	SHAKEPROOF WASHER	
HK013	Plate 15 No 00	WATER HOSE KIT	MK2 2.4
HK012	Plate 15 No 00	WATER HOSE KIT	240
HK011	Plate 15 No 00	WATER HOSE KIT	MK2 3.4/3.8
HK016	Plate 15 No 00	WATER HOSE KIT	340
HCS013	Plate 15 No 00	CLIP SET FOR HK013	MK2 2.4
HCS012	Plate 15 No 00	CLIP SET FOR HK012	240
HCS011	Plate 15 No 00	CLIP SET FOR HK011	MK2 3.4/3.8
HCS016	Plate 15 No 00	CLIP SET FOR HK016	340
C12424*WOV	Plate 15 No 19	TOP HOSE	"Chassis number required"
C27106*WOV	Plate 15 No 19	TOP HOSE	"Chassis number required"
C28972*WOV	Plate 15 No 19	TOP HOSE	"Chassis number required"
C25479*WOV	Plate 15 No 21	BOTTOM HOSE	
C19798/9	Plate 15 No 00	RAD OVERFLOW HOSE	
JHC200101	Plate 15 No 24	HOSE CLIP	

Exhaust Systems

MEX002	EXHAUST ALUMINISED SYSTEM	MK2 3.4,3.8,340
FEX004	FALCON SYSTEM S/S	MK2 2.4 SINGLE

IMPORTANT - Parts are genuine except - Product codes ending with : # = Original Equipment.Supplier * = Reproduction/Non-O.E.

MK2 2.4-3.8 Price List

PARTNO	DESCRIPTION	David Manners Ltd MK2 2.4-3.8
FEX004A	FALCON SYSTEM S/S	240 TWIN
FEX004C	FALCON SYSTEM S/S	MK2 3.4/3.8/340
EFK2	SUNDRY EX.FITTINGS	MK.1/MK2 3.4/3.8/240
EFK2/1	BASIC EX.FITTING KIT	MK1/MK2 3.4/3.8/240
MEX002	ALUMINISED EXH SYS	MK2 3.4/3.8/340
6504021	RH F PIPE (LONG)	
6604022	LH F PIPE (SHORT)	
6404019	TWIN SILENCER ASSY	
FSJR0035	POLISHED TAIL PIPES	
EFK22/1	BASIC EX.FITTING KIT	
EFK2	SUNDRY EX.FITTINGS	
FEX004	FALCON SYSTEM S/S	MK2 2.4 SINGLE
JRS0070	TWIN FRONT PIPE	2.4 MK2
JRS0067	MAIN SILENCER	2.4 MK2
JRS0068	TAIL PIPE	2.4 MK2
JRS0069	POLISHED TRIM	
EFK19/1	BASIC EX.FITTING KIT	MK.1/MK2 2.4 SINGLE
FEX004C	FALCON SYSTEM S/S	MK2 3.4/3.8/340
FSJR0070	RH F PIPE (LONG)	
FSJR0071	LH F PIPE(SHORT)	
FSJR0110	TWIN SILENCERS ASSY	
FSJR0035	POLISHED TAIL PIPES	
EFK22/1	BASIC EX.FITTING KIT	
EFK2	SUNDRY EX.FITTINGS	

Fuel System

C17565*	PETROL TANK
C17565K	P/TANK FITTING KIT
BD9898*	PETROL FILLER SEAL
C23752*	PETROL TANK FILTER
C26310*	FILTER SEALING RING
C26310	FILTER SEALING RING
C23752*	PETROL TANK FILTER
C3053*	PETROL TANK MOUNTING BUSH
C3053*P	PETROL TANK MOUNTING BUSH
C6390*	MTG.DISTANCE TUBE
NZ606041J*	NYLOC NUT 3/8" UNF
NZ606041J	NYLOC NUT 3/8" UNF
C15476*	TANK SENDER UNIT
C937*	SENDER UNIT GASKET
UFS313/3H*	FUEL SENDER SCREW
C2296/9*	COPPER WASHER
AZX1319EP#	FUEL PUMP ELECTRONIC
AZX1308	FUEL PUMP
AZX1308#	FUEL PUMP
AZX1308EN#	FUEL PUMP ELECTRONIC
C801*	STEEL STUD
C2C16681	MOUNTING INSULATOR
CBC1448*	MOUNTING GROMMET
GAC501	HOSE FROM FUEL PUMP TO TANK
GAC502	NYLON FUEL PIPE KIT

IMPORTANT - Parts are genuine except - Product codes ending with : # = Original Equipment.Supplier * = Reproduction/Non-O.E.

MK2 2.4-3.8 Price List

PARTNO	DESCRIPTION	David Manners Ltd MK2 2.4-3.8
C12305*	HOSE FROM PUMP TO MAIN FUEL LINE ,	
C11488	FUEL PIPE BANJO BOLT	
C11488#	FUEL PIPE BANJO BOLT	
AUC2141#	BANJO BOLT WASHER	
C21747*	FUEL PIPE UNION	
Body Underframe		
5137*	Plate 16 No 01	FRONT CROSSMEMBER
5137*R	Plate 16 No 01	FRONT CROSSMEMBER
4130*	Plate 16 No 02	X MEMBER CLOS.PANEL
4128*	Plate 16 No 03	FRONT OUTRIGGER RH
4128*R	Plate 16 No 03	FRONT OUTRIGGER RH
4129*	Plate 16 No 03	FRONT OUTRIGGER LH
4129*R	Plate 16 No 03	FRONT OUTRIGGER LH
6583*	Plate 16 No 04	REINFORCING CHANNEL RH/LH
6741*	Plate 16 No 05	UPPER SPRING CLAMP
6741*R	Plate 16 No 05	UPPER SPRING CLAMP
8933*R	Plate 16 No 06	PANHARD ROD BRACKET
8113*	Plate 16 No 16	REAR WHEEL ARCH RH
MRK30ARH	Plate 16 No 16a	OUTER WHEEL ARCH REPAIR
MRK30BRH	Plate 16 No 16b	INNER FWD WHEEL ARCH REPAIR
MRK30CRH	Plate 16 No 16c	INNER CTL WHEEL ARCH REPAIR
MRK30DRH	Plate 16 No 16d	INNER WHEEL ARCH REPAIR
8114*	Plate 16 No 16	REAR WHEEL ARCH LH
MRK30ALH	Plate 16 No 16a	OUTER WHEEL ARCH REPAIR
MRK30BLH	Plate 16 No 16b	INNER FWD WHEEL ARCH REPAIR
MRK30CLH	Plate 16 No 16c	INNER CTL WHEEL ARCH REPAIR
MRK30DLH	Plate 16 No 16d	INNER WHEEL ARCH REPAIR
7220*	Plate 16 No 23	RADIATOR COWL LH
7219*	Plate 16 No 24	RADIATOR COWL RH
MR0017RH	Plate 16 No 25a	RH FLOOR PANEL
MR0017LH	Plate 16 No 25a	LH FLOOR PANEL
7003*R	Plate 16 No 28	INNER SILL RH
7032*R	Plate 16 No 28	INNER SILL LH
MRK46LH	Plate 16 No 30	REAR SEAT PAN REPAIR
MRK46RH	Plate 16 No 30a	REAR SEAT PAN REPAIR
4104*	Plate 16 No 37	SPARE WHEEL WELL
8119*	Plate 16 No 40	RH TONNEAU PANEL
8120*	Plate 16 No 40	LH TONNEAU PANEL
4127*	Plate 16 No 41	LWR REAR PANEL REINFORCEMENT
6038*	Plate 16 No 42	BOOT LOCK PANEL
7079*	Plate 16 No 46	RH LONG.SIDE MEMBER
7079S*	Plate 16 No 46a	RH SHORT LONGITUDINL
7080*	Plate 16 No 46	LH LONG.SIDE MEMBER
7080S*	Plate 16 No 46a	LH SHORT LONGITUDINL
6736*	Plate 16 No 47	REAR JACK POINT RH
6736*R	Plate 16 No 47	REAR JACK POINT RH
6737*	Plate 16 No 47	REAR JACK POINT LH
6737*R	Plate 16 No 47	REAR JACK POINT LH
6739*	Plate 16 No 48	FRONT JACK POINT LH
6739*R	Plate 16 No 48	FRONT JACK POINT LH
6738*	Plate 16 No 48	FRONT JACK POINT RH
6738*R	Plate 16 No 48	FRONT JACK POINT RH
6723*	Plate 16 No 49	SPRING HANGER

IMPORTANT - Parts are genuine except - Product codes ending with : # = Original Equipment,Supplier * = Reproduction/Non-O.E.

MK2 2.4-3.8 Price List

PARTNO	DESCRIPTION	David Manners Ltd MK2 2.4-3.8	
6723*R	Plate 16 No 49	SPRING HANGER	
6585*	Plate 16 No 00	LWR RAD MTG BKT LH	
6584*	Plate 16 No 00	LWR RAD MTG BKT RH	
Body Panels			
4109*R	Plate 17 No 06	RH OUTER SILL PANEL	
4110*R	Plate 17 No 06	LH OUTER SILL PANEL	
10529*	Plate 17 No 00	BAFFLE PANEL RH In side frt wing	
10530*	Plate 17 No 00	BAFFLE PANEL LH In side frt wing	
6721*R	Plate 17 No 9A	RAD ACCESS PANEL	
MR0032RH	Plate 17 No 9B	NOSE REPAIR PANEL RH	
MR0032LH	Plate 17 No 9B	NOSE REPAIR PANEL LH	
11141*	Plate 17 No 9D	RH FRONT WING	
11142*	Plate 17 No 9D	LH FRONT WING	
MR0015LH	Plate 17 No 9E	LH FRONT WING RR 1/2	
MR0015RH	Plate 17 No 9E	RH FRONT WING RR 1/2	
MR0012RH	Plate 17 No 9F	RH FRONT W/ARCH REP	
MR0012LH	Plate 17 No 9F	LH FRONT W/ARCH REP	
BD12855*	Plate 17 No 00	SLIDE RETURN SPRING	
BD12842*	Plate 17 No 00	BONNET CATCH PEG	
BD12852*	Plate 17 No 00	BONNET PEG FINISHER	
MR0033RH	Plate 17 No 13a	REAR WING REPAIR	
MR0033LH	Plate 17 No 13a	REAR WING REPAIR LH	
MR0028B	Plate 17 No 15	REAR VALANCE MK2 2.4	
MR0028	Plate 17 No 15	REAR VALANCE MK2 3.4/3.8	
MR0028A	Plate 17 No 15	REAR VALANCE 240/340	
6627*	Plate 17 No 20	GRILLE SADDLE PANEL	
6627*R	Plate 17 No 20	GRILLE SADDLE PANEL	
6665*	Plate 17 No 21	F/WING CAPPING STRIP	
6602*	Plate 17 No 23	CROWS FOOT RH	
6602*R	Plate 17 No 23	CROWS FOOT RH	
6603*	Plate 17 No 23	CROWS FOOT LH	
6603*R	Plate 17 No 23	CROWS FOOT LH	
6604*	Plate 17 No 24	RH GUSSET PANEL	
6605*	Plate 17 No 23	LH GUSSET PANEL	
5144	Plate 17 No 00	BONNET HINGE RH	
MR0016LHF	Plate 17 No 28	LH FRONT DOOR SKIN "Doors are NLA "	
MRK16LHF	Plate 17 No 28	LH FRONT DOOR SKIN "Doors are NLA "	
MR0016RHF	Plate 17 No 28	RH FRONT DOOR SKIN "Doors are NLA "	
MRK16RHF	Plate 17 No 28	RH FRONT DOOR SKIN "Doors are NLA "	
MRK16DBLHF	Plate 17 No 00	FRT DOOR BOTTOM REP	
MRK16DBRHF	Plate 17 No 00	FRT DOOR BOTTOM REP	
BD17034*	Plate 17 No 00	DOOR HINGE BOLT	
8165*	Plate 17 No 00	DOOR HINGE SCREW	
8167*	Plate 17 No 00	CHECK STRAP FRONT	
BD18297*	Plate 17 No 31	W/REGULATOR LHF	
MR0016RHR	Plate 17 No 34	RH REAR DOOR SKIN "Doors are NLA "	
MRK16RHR	Plate 17 No 34	RH REAR DOOR SKIN "Doors are NLA "	
MR0016LHR	Plate 17 No 34	LH REAR DOOR SKIN "Doors are NLA "	
MRK16LHR	Plate 17 No 34	LH REAR DOOR SKIN "Doors are NLA "	
MRK16DBLHR	Plate 17 No 00	REAR DOOR BOTTOM REP	
MRK16DBRHR	Plate 17 No 00	REAR DOOR BOTTOM REP	
5112RP	Plate 17 No 40	BOOT LID SKIN REPAIR	

IMPORTANT - Parts are genuine except - Product codes ending with : # = Original Equipment, Supplier * = Reproduction/Non-O.E.

MK2 2.4-3.8 Price List

PARTNO	DESCRIPTION	David Manners Ltd MK2 2.4-3.8	
BD17011*	Plate 17 No 42	RH SPAT PANEL (STEEL).	
BD17012*	Plate 17 No 43	LH SPAT PANEL (STEEL).	
BD17011/2GRP	Plate 17 No 42	SPATS PAIR (FLARED) , Fibreglass	
MR0029ALH	Plate 17 No 42	LH COOMBS SPAT (STEEL)	
MR0029ARH	Plate 17 No 42	RH COOMBS SPAT (STEEL)	
6123*	Plate 17 No 41 A	SPAT DZUS FASTENER	

Body Fittings

BD17172E*	Plate 18 No 01	FRONT BUMPER EXCH 1960 to 1967.	
-BD17172E*		SURCHARGE	
BD23851E*	Plate 18 No 01	FRONT BUMPER EXCH 1967 to 1969.	
-BD23851E*		SURCHARGE	
BD10985E*	Plate 18 No 06	FRONT LH & RH OVERIDER 1960 to 1967.	
BD26636*	Plate 18 No 06	RHF OVERIDER 1967 to 1969.	
BD26636E*	Plate 18 No 06	RHF OVERIDER EXCH 1967 to 1969.	
-BD26636E*		SURCHARGE	
BD26635*	Plate 18 No 07	LHF OVERIDER 1967 to 1969.	
BD26635E*	Plate 18 No 07	LHF OVERIDER EXCH 1967 to 1969.	
-BD26635E*		SURCHARGE	
209*	Plate 18 No 08	OVERIDER BEADING	
BD17180E*	Plate 18 No 00	REAR BUMPER WIDE 1960 to 1967.	
-BD17180E*		SURCHARGE	
BD17185*	Plate 18 No 00	REAR OVERIDER LH 1960 to 1967.	
BD17186*	Plate 18 No 00	REAR OVERIDER RH 1960 to 1967.	
BD30144E*	Plate 18 No 00	REAR BUMPER THIN 1967 to 1969.	
-BD30144E*		SURCHARGE	
209*	Plate 18 No 00	OVERIDER BEADING	
BD10982*	Plate 18 No 15	FRT NO PLATE CARRIER 1960 to 1967.	
BD30654*	Plate 18 No 15	FRT NO PLATE CARRIER 1967 to 1969.	
BD9875*	Plate 18 No 17	HEADLAMP TEARDROP	
PFS106*	Plate 18 No 18	SPIRE CLIP	
BD17149E*	Plate 18 No 19	RADIATOR GRILLE EXCH MK2	
-BD17149E*		SURCHARGE	
BD17145*	Plate 18 No 21	GRILLE CENTRE VANE	
BD11497*	Plate 18 No 22	2.4 GRILLE BADGE	
BD12448*	Plate 18 No 22	3.4 GRILLE BADGE	
BD17736*	Plate 18 No 22	3.8 GRILLE BADGE	
BD11499	Plate 18 No 23	MEDALLION SPACER PAD	
BD17146*	Plate 18 No 24	GRILLE BADGE CLIP	
BD10221*	Plate 18 No 25	BONNET RELEASE CABLE .	
C4443*	Plate 18 No 26	BONNET CABLE ADJSTER	
C3880	Plate 18 No 27	BONNET CABLE POST	
BD10224*	Plate 18 No 00	BONNET BUFFER	
BD4920/3*	Plate 18 No 00	BONNET REAR RUBBER	
TRIM0116	Plate 18 No 28	SUNVISORS UNTRIMMED	
TRIM0117	Plate 18 No 28	SUNVISORS TRIMMED GREY.	
TRIM0118	Plate 18 No 28	SUNVISORS TRIMMED BEIGE.	
GAC1069	Plate 18 No 00	SUN VISOR CHROME	
BD29575*	Plate 18 No 30	WINDSCREEN CLEAR	
BD29575T*	Plate 18 No 30	WINDSCREEN GREEN TINT	
BD29575T*H	Plate 18 No 30	WINDSCREEN HEATED TINTED.	

IMPORTANT - Parts are genuine except - Product codes ending with : # = Original Equipment.Supplier * = Reproduction/Non-O.E.

MK2 2.4-3.8 Price List

PARTNO	DESCRIPTION	David Manners Ltd MK2 2.4-3.8	
BD26888*	Plate 18 No 31	FRONT SCREEN RUBBER	
BD48847	Plate 18 No 32	SCREEN INSERT RUBBER	
BD48847*	Plate 18 No 32	SCREEN INSERT RUBBER	
BD5366/1*	Plate 18 No 35	SCREEN JOINT CLIP	
BD21181	Plate 18 No 36	TAX HOLDER JAGUAR	
TAXHOLDER2	Plate 18 No 36	TAX DISC HOLDER BLUE SPARC STAR.	
RIS001B	Plate 18 No 36	RUN IN STICKER BLUE	
RIS001R	Plate 18 No 36	RUN IN STICKER RED	
C32350*	Plate 18 No 37	INTERIOR MIRROR	
BD26064*	Plate 18 No 40	GEARBOX COVER MANUAL	
BD14134*	Plate 18 No 41	GEAR LEVER GAITER	
BD26707*	Plate 18 No 43	LH AIR DUCT HOSE	
BD23569*	Plate 18 No 44	DEMISTER ELBOW HOSE	
BD26707*	Plate 18 No 43	RH AIR DUCT HOSE	
BD23569*	Plate 18 No 46	DEMISTER ELBOW HOSE	
BD17763	Plate 18 No 47	DEMISTER NOZZLE	
BD9876*	Plate 18 No 00	SCUTTLE VENT RUBBER	
GAC1041	Plate 18 No 49	SILL TREAD PLATE SET	
GAC1041/SS	Plate 18 No 49	SILL TREAD PLATE SET STAINLESS	
GAC1041JAG	Plate 18 No 49	SILL TREAD PLATE SET WITH JAGUAR	
BODY CHROME BEADINGS.			
MLD001	Plate 19 No 00	CHROME MOULDING SET MK2	
MLD001*	Plate 19 No 00	CHROME MOULDING SET MK2	
MLD004*	Plate 19 No 00	CHROME MOULDING SET 240/340	
MLD004* Does not contain the upper door chromes. NLA .			
MLD001K	Plate 19 No 00	MOULDING CLIP SET	
BD17126*	Plate 19 No 01	LH REAR DRIP MLDG	
BD17127*	Plate 19 No 02	RH REAR DRIP MLDG	
BD17128*	Plate 19 No 03	LH FRONT DRIP MLDG	
BD17129*	Plate 19 No 04	RH FRONT DRIP MLDG	
BD17139*	Plate 19 No 05	CENTRE GUTTER CLIP	
BD10975*	Plate 19 No 06	FRT BONNET MOULDING	
BD4919/13*	Plate 19 No 07	T HEAD BOLT	
BD4919/13*NUT	Plate 19 No 07	T HEAD BOLT NUT	
BD4919/13K*	Plate 19 No 07	T HEAD BOLT KIT	
BD10976*	Plate 19 No 08	BONNET CTR MOULDING (CAT)	
BD9717*	Plate 19 No 08	BONNET CENTRE MLDG. (NO CAT)	
AHA9447*	Plate 19 No 09	STUD PLATE	
BD10954#	Plate 19 No 10	LARGE LEAPING CAT	
BD10954K*	Plate 19 No 10	LEAPING CAT FIT.KIT	
BD9718*	Plate 19 No 11	LH SIDE BONNET MOULD	
BD9719*	Plate 19 No 12	RH BONNET SIDE MOULD	
BAC5298*	Plate 19 No 13	MOULDING STAPLE CLIP	
BD9720*	Plate 19 No 14	LH SCUTTLE MOULDING	
BD9721*	Plate 19 No 15	RH SCUTTLE MOULDING	
BD26706/1*	Plate 19 No 16	POP RIVET CLIP	
BD17087*	Plate 19 No 17	BTM LH FRT DOOR MLDG	
BD4919/13*	Plate 19 No 20	T HEAD BOLT	
BD16720*	Plate 19 No 21	LHF DOOR HANDLE	
BD16721*	Plate 19 No 22	RHF DOOR HANDLE	
BD31273*	Plate 19 No 23	B/C POST FINISHER	
BD17086*	Plate 19 No 24	REAR DOOR MLD	
BD16722*	Plate 19 No 27	LHR DOOR HANDLE	
BD16723*	Plate 19 No 28	RHR DOOR HANDLE	

IMPORTANT - Parts are genuine except - Product codes ending with : # = Original Equipment.Supplier * = Reproduction/Non-O.E.

MK2 2.4-3.8 Price List

PARTNO	DESCRIPTION	David Manners Ltd MK2 2.4-3.8	
BD9725*	Plate 19 No 29	LHR WING MOULDING	
BD9726*	Plate 19 No 30	RHR WING MOULDING	
BD26706/1*	Plate 19 No 36	POP RIVET CLIP	
BD21942*	Plate 19 No 00	HEATED REAR SCREEN CLEAR	
BD16993*	Plate 19 No 00	R/SCREEN FINISHER LH	
BD16994*	Plate 19 No 00	R/SCREEN FINISHER RH	
BD5366/1*	Plate 19 No 00	SCREEN JOINT CLIP	
BD11472*	Plate 19 No 00	BOOT LOCK ESCUTCHEON	
BD10764*	Plate 19 No 00	REAR NO.PLATE MLDG MK2/V8	
6711*	Plate 19 No 00	NUMBER PLATE PLINTH	
BD27194*	Plate 19 No 00	MK2 BOOT MOTIF	
BD26762	Plate 19 No 00	JAGUAR BOOT MOTIF	
BD26762#	Plate 19 No 00	JAGUAR BOOT MOTIF	
BD27196*	Plate 19 No 00	3.4 BOOT MOTIF	
BD27195*	Plate 19 No 00	3.8 BOOT MOTIF	
BD32703*	Plate 19 No 00	240 MOTIF	
BD31034*	Plate 19 No 00	340 MOTIF	
BD17737*	Plate 19 No 00	DISC BRAKES BADGE	

Interior Fascias

BD19725*	CUBBY BOX RHD
BD19726*	CUBBY BOX LHD
TRIM0122	FULL TRIM KIT MK2 7 pleats or 8 pleats .
TRIM0116	SUNVISORS UNTRIMMED
TRIM0117	SUNVISORS TRIMMED (GREY)
TRIM0118	SUNVISORS TRIMMED (BEIGE)
BD17889/1BEI	HEADLINING BEIGE MK2 EARLY MODELS
BD17889BE	HEADLINING BEIGE
BD17889GN	HEADLINING GREEN
BD17889GY	HEADLINING GREY
BD23946PAD	HEADLINING PAD
BD11605BEI	FURFLEX BEIGE CAR SET
BD11605BLE	FURFLEX BLUE CAR SET
BD11605BLK	FURFLEX BLACK CAR SET
BD11605GRN	FURFLEX GREEN CAR SET
BD11605GRY	FURFLEX GREY CAR SET
BD11605RED	FURFLEX RED CAR SET
BD11605TAN	FURFLEX TAN CAR SET
BD18039BK	BOOT MAT BLACK
BD18039RD	BOOT MAT RED
BD18039GY	BOOT MAT GREY
GAC1025	BOOT TRIM PANEL PAIR BLACK
GAC1025G	BOOT TRIM PANEL PAIR GREY
GAC1025R	BOOT TRIM PANEL PAIR RED

Body Seals

LISTING OF RUBBER SEALS

DSK1111	FULL BODY RUBBER SET..
DSK0100	DOOR RUBBER SET
209*	OVERIDER BEADING
3446*	H/LAMP DUST EXCLUDER
3488*	NO.PLATE LENS GASKET.
8059*	FRONT FLASHER RUBBER .
8083*	REAR LENS SEAT.GSKT

IMPORTANT - Parts are genuine except - Product codes ending with : # = Original Equipment.Supplier * = Reproduction/Non-O.E.

MK2 2.4-3.8 Price List

PARTNO	DESCRIPTION	David Manners Ltd MK2 2.4-3.8
8669*	SIDELAMP SEAL.RING	
9403*	HEADLAMP GASKET	
9721*	REAR LAMP RUBBER	
BD10224	BONNET BUFFER	
BD10224*	BONNET BUFFER	
BD14100/1*	BOOT LID RUBBER SEAL.	
BD16992*	REAR SCREEN RUBBER	
BD17048*	FRT QTR LT RUBBER LH	
BD17049*	FRT.QTR.LT.RUBBER RH	
BD17072*	QTR.LIGHT RUBBER	
BD17847/1*	SPAT RUBBER	
BD26888*	FRONT SCREEN RUBBER	
BD4321*	PETROL FLAP BUFFER	
BD48847*	SCREEN INSERT RUBBER	
BD4920/3*	BONNET REAR RUBBER	
BD4951*	DOOR/BONNET BUFFER	
BD6581*	NO.PLATE RUBBER PLUG	
BD9876*	SCUTTLE VENT RUBBER	
BD9898*	PETROL FILLER SEAL	
BD9949/1*	REAR BUMPER RUBBER	
C4928*	JACKING POINT PLUG	
DAC1585/2	NO.PLATE PLINTH SEAL	
DAC1585/2*	NO.PLATE PLINTH SEAL	

Electrical

Engine Number required for Dynamo's or LUCAS number of Body ..

C15256E*	Plate 20 No 01	DYNAMO 22483-9 C45 2.4 LITRE
-C15256E*	Eng Number required	SURCHARGE
C20626E*	Plate 20 No 01	DYNAMO 22716 C40L 2.4 LITRE
-C20626E*	Eng Number required	SURCHARGE
C15255E*	Plate 20 No 01	DYNAMO 22496 C45. 3.4. & 3.8 LITRE
-C15255E*	Eng Number required	SURCHARGE
C18286E	Plate 20 No 01	DYNAMO 22902 C42. 2.4. 3.4. & 3.8
-C18286E	Eng Number required	SURCHARGE
C15254E*	Plate 20 No 01	DYNAMO 22528 C45. 3.4. & 3.8 LITRE
-C15254E*	Eng Number required	SURCHARGE
C16930E*	Plate 20 No 01	DYNAMO 22906 C42. 3.4. & 3.8 LITRE
-C16930E*	Eng Number required	SURCHARGE
C18488E*	Plate 20 No 01	HIGH OUTPUT DYNAMO C48 22804
-C18488E*	Eng Number required	SURCHARGE
C19520*	Plate 20 No 02	DUPLEX DYNAMO PULLEY
DYNALTC40	Plate 20 No 01	DYNATOR C40 MODELS
DYNALTC40L	Plate 20 No 01	DYNATOR C40L MODELS
DYNALTC42	Plate 20 No 01	DYNATOR C42 MODELS
DYNALTC45	Plate 20 No 01	DYNATOR EXCH. (COU) C45 MODELS
-DYNALTC45		SURCHARGE DYNATOR EXCH.

This is a dynamo with alternator internals.

Core unit needs to have aluminium end plates to be suitable for conversion. It generates up to 80% more power across all rev ranges less than 5 kilo's weight. Comes complete with replacement voltage regulator for authenticity...

CUSTOMERS OWN UNIT REQUIRED FOR CONVERSION.

C8786E*	Plate 20 No 04	STARTER MOTOR M418G MK2 2.4 240
---------	----------------	---------------------------------

IMPORTANT - Parts are genuine except - Product codes ending with : # = Original Equipment. Supplier * = Reproduction/Non-O.E.

MK2 2.4-3.8 Price List

PARTNO	DESCRIPTION	David Manners Ltd MK2 2.4-3.8
-C8786E*		SURCHARGE
C12679E*	Plate 20 No 04	STARTER MOTOR M45G MANUAL 3.4 &
-C12679E*		SURCHARGE
C12679HT*	Plate 20 No 04	HIGH TORQUE STARTER 3.4 & 3.8.
C10980E*	Plate 20 No 04	STARTER MOTOR AUTOMATIC 2.4, 3.4
-C10980E*		SURCHARGE
C10980HT	Plate 20 No 04	HIGH TORQUE STARTER 2.4, 3.4 & 3.8.
C20367*	Plate 20 No 06	STARTER SOLENOID "Push Button"
C20367/1*	Plate 20 No 00	RUBBER PUSH BUTTON
C30287*	Plate 20 No 06	STARTER SOLENOID
C8749*	Plate 20 No 08	IGNITION COIL SCREW-IN CONNECTION
C30120	Plate 20 No 08	IGNITION COIL PUSH-IN CON "240 &340
DLB105	Plate 20 No 08	LUCAS SPORTS COIL
C5451*	Plate 20 No 09	COIL H.T.LEAD NUT
C5452*	Plate 20 No 10	H.T.BRASS WASHER
C8047*	Plate 20 No 12	COIL MTG BRACKET
C18525*	Plate 20 No 13	COIL EXT.BRACKET
MK2 2.4, 240		
C11903E*	Plate 20 No 14	DISTRIBUTOR EXCH ,DMBZ6A MK2 2.4
-C11903E*	Eng number required	SURCHARGE 8:1 COMP.
C20676E*	Plate 20 No 14	DISTRIBUUTOR EXCH, 22D6 MK2 2.4.
-C20676E*	Eng number required	SURCHARGE 8:1 COMP.
C28421E*	Plate 20 No 14	DISTRIBUTOR EXC, 25D6 240
-C28421E*	Eng number required	SURCHARGE 8:1 COMP.
C8789E*	Plate 20 No 14	DISTRIBUTOR EXCH. MK2 2.4 7:1
-C8789E*	Eng number required	SURCHARGE 7:1 COMP.
MK2 3.4 , 3.8, 340		
C14533E*	Plate 20 No 14	DISTRIBUTOR EXCH. DMBZ.6A
-C14533E*	Eng number required	SURCHARGE
C14269E*	Plate 20 No 14	DISTRIBUTOR EXCH. DMBZ.6
-C14269E*	Eng number required	SURCHARGE
C14534E*	Plate 20 No 14	DISTRIBUTOR EXCH. DMBZ.6
-C14534E*	Eng number required	SURCHARGE
C20677E*	Plate 20 No 14	DISTRIBUTOR EXCH. 22.D6
-C20677E*	Eng number required	SURCHARGE
C25331E*	Plate 20 No 14	DISTRIBUTOR EXCH. 22.D6
-C25331E*	Eng number required	SURCHARGE
ETDGB6	Plate 20 No 14	ELC TUNABLE DISTRIB 6 CYL ENGINE
ETDGB6POS	Plate 20 No 14	ELC TUNABLE DISTRIB 6 CYL ENGINE
C11906*	Plate 20 No 15	DISTRIBUTOR CAP NUT
C5452*	Plate 20 No 16	H.T.BRASS WASHER
6478LUCAS	Plate 20 No 17	DISTRIBUTOR CAP Eng number required
JLM9523	Plate 20 No 17	DISTRIBUTOR CAP Eng number required
JLM9523#	Plate 20 No 17	DISTRIBUTOR CAP Eng number required
JLM249*	Plate 20 No 17	DISTRIBUTOR CAP Eng number required
JLM263	Plate 20 No 17	ROTOR ARM
JLM263#	Plate 20 No 17	ROTOR ARM
C11990#	Plate 20 No 17	CONTACT SET Eng number required
JLM9520	Plate 20 No 17	CONTACT SET Eng number required
JLM9656	Plate 20 No 17	CONDENSER
C34292/2*	Plate 20 No 00	PLUG LEAD SET
C34292/4*	Plate 20 No 00	PLUG LEAD SET
C34080*	Plate 20 No 00	SPARK PLUG CONDUIT CARD.
C34080*SS	Plate 20 No 00	SPARK PLUG CONDUIT STAINLESS

IMPORTANT - Parts are genuine except - Product codes ending with : # = Original Equipment.Supplier * = Reproduction/Non-O.E.

MK2 2.4-3.8 Price List

PARTNO	DESCRIPTION				David Manners Ltd MK2 2.4-3.8
C34080*PA	Plate	20	No	00	SPARK PLUG CONDUIT ALLOY
C34080*BLACK	Plate	20	No	00	SPARK PLUG CONDUIT BLACK ALLOY
C2581*	Plate	20	No	24	SUCTION PIPE FOR VACUUM UNIT
37H4229M	Plate	20	No	24	SUCTION PIPE FOR VACUUM UNIT
C21573*	Plate	20	No	26	ADVANCE/RETARD ELBOW
AUA152#	Plate	20	No	27	FUEL PUMP (ORIGINAL)
AUA152EP#	Plate	20	No	27	FUEL PUMP (ORIGINAL)
AUA152EN#	Plate	20	No	27	FUEL PUMP (ORIGINAL)
AZX1308	Plate	20	No	27	FUEL PUMP WITH POINTS
AZX1308#	Plate	20	No	27	FUEL PUMP WITH POINTS
AZX1308EN#	Plate	20	No	27	FUEL PUMP ELECTRONIC.NO POINTS
AUB6106J	Plate	20	No	27	TWIN F/PUMP POINTS
AUB6106J*	Plate	20	No	27	TWIN F/PUMP POINTS
C8821E*	Plate	20	No	34	VOLTAGE REGULATOR Eng number
-C8821E*					SURCHARGE
					RB340.... 25 AMPS. FOR 30 AMPS VERSION USE C18287/30#.
C18287#	Plate	20	No	34	VOLTAGE REGULATOR Eng number
					RB340..... 25 AMPS. FOR 30 AMPS VERSION USE C18287/30#.
C18287/30#	Plate	20	No	34	VOLTAGE REGULATOR Eng number
C16510#	Plate	20	No	37	FUSE BOX ASSY SF6
C39572	Plate	20	No	00	35 AMP FUSE
C39572#	Plate	20	No	00	35 AMP FUSE
C13932	Plate	20	No	00	50 AMP FUSE
C13932#	Plate	20	No	00	50 AMP FUSE
C17492*	Plate	20	No	38	FUSE BOX COVER Eng number required
C20687*	Plate	20	No	38	FUSE BOX COVER Eng number required
C5549*	Plate	20	No	39	FUSEBOX COVER KNOB
C15785*	Plate	21	No	02	DASH THUMB SCREW
C25937	Plate	21	No	05	DASH LIGHT FILTER
C15916*	Plate	21	No	06	LEGEND FINISHER
					C15916* is brushed stainless steel- original was chrome
148876J#	Plate	21	No	07	VOLTAGE STABILISER
C15609*	Plate	21	No	10	INDICATION STRIP RHD
C15610*	Plate	21	No	10	INDICATION STRIP LHD
C15454#	Plate	21	No	11	IGNITION SWITCH
BD10610*	Plate	21	No	12	LOCK BARREL & KEYS
C15667	Plate	21	No	13	IGN.SWITCH L/PLATE
C20246#	Plate	21	No	14	HEADLAMP SWITCH
C15447*	Plate	21	No	15	SWITCH ESCUTCHON
C15449*	Plate	21	No	15	SWITCH ESCUTCHON U.S.A. only
C15452*	Plate	21	No	16	HOLLOW BOLT
C15451	Plate	21	No	17	NUT
ATJ2066	Plate	21	No	20	STARTER SWITCH
ATJ2066#	Plate	21	No	20	STARTER SWITCH
C15455*	Plate	21	No	21	PANEL LIGHTS SWITCH
C15589	Plate	21	No	22	HEATER FAN SWITCH
C15589#	Plate	21	No	22	HEATER FAN SWITCH
C15456*	Plate	21	No	23	HEATER FAN SWITCH
C15759	Plate	21	No	24	SCREEN WASHER SWITCH
C15760#	Plate	21	No	24	MAP & INT.SWITCH
C15760/1#	Plate	21	No	24	MAP & INT.SWITCH
GAC1098K	Plate	21	No	00	TOGGLE KNOB (SET 6)
C11724*	Plate	21	No	28	CHOKE LIGHT ASSY

IMPORTANT - Parts are genuine except - Product codes ending with : # = Original Equipment.Supplier * = Reproduction/Non-O.E.

MK2 2.4-3.8 Price List

PARTNO	DESCRIPTION				David Manners Ltd MK2 2.4-3.8
C25678E*	Plate	21	No	27	AMMETER EXCH.
-C25678E*					SURCHARGE
C25679E*	Plate	21	No	27	AMMETER C48 DYNAMO
-C25679E*					SURCHARGE
C18641E*	Plate	21	No	28	OIL PRESS GAUGE EXCH
-C18641E*					SURCHARGE
C15474	Plate	21	No	29	OIL PRESSURE SENDER
C15474#	Plate	21	No	29	OIL PRESSURE SENDER
C16661#	Plate	21	No	31	RED WARNING LIGHT
C16184	Plate	21	No	33	MOUNTING BRACKET
C16660#	Plate	21	No	34	HANDBRAKE SWITCH
C15475E*	Plate	21	No	35	FUEL GAUGE EXCH.
-C15475E*					SURCHARGE
C15788	Plate	21	No	00	GAUGE BULB
C15788*	Plate	21	No	00	GAUGE BULB
C18640E*	Plate	21	No	35	WATER TEMP GAUGE EXCH.
-C18640E*					SURCHARGE
C29876E*	Plate	21	No	35	WATER TEMP.GAUGE EXCH.
-C29876E*					SURCHARGE
C15472	Plate	21	No	37	WATER TEMP.SENDER
C15472*	Plate	21	No	37	WATER TEMP.SENDER
C15466E*	Plate	21	No	38	SPEEDOMETER MPH MK2 3.4 3.54:1 MNL
-C15466E*					SURCHARGE
C16402E*	Plate	21	No	38	SPEEDOMETER KPH MK 2 3.4 3.54:1
-C16402E*					SURCHARGE
C15929*	Plate	21	No	40	SPEEDO CABLE 66"
C15930*	Plate	21	No	40	SPEEDO CABLE 84"
C15932*	Plate	21	No	40	SPEEDO CABLE 96"
8894E*	Plate	21	No	41	REV COUNTER LESS CLOCK "Vin Number
-8894E*					SURCHARGE
8984E*	Plate	21	No	41	REV COUNTER LESS CLOCK "Vin Number
-8984E*					SURCHARGE
10488/1E*	Plate	21	No	42	QUARTZ TIME CLOCK
-10488/1E*					SURCHARGE
C14996*	Plate	21	No	43	REV COUNTER GENERAT
C14996E*	Plate	21	No	43	REV COUNTER GENERAT
-C14996E*					SURCHARGE
C11677*	Plate	21	No	45	CIGAR LIGHTER
C15476*	Plate	21	No	46	TANK SENDER UNIT
C937*	Plate	21	No	47	P/TANK UNIT GASKET
C937K	Plate	21	No	47	P/TANK FITTING KIT
AVB127*	Plate	21	No	48	INTERIOR LAMP SWITCH
500929*	Plate	22	No	01	OUTER HEADLAMP RIM
6513*	Plate	21	No	02	HEADLAMP RIM SCREW
515218J#	Plate	21	No	05	HEADLAMP INNER RIM 7" HEADLAMP
27H6481	Plate	21	No	07	HEADLAMP SEATING RIM
LUB328LUCAS	Plate	21	No	09	HEADLAMP RHD WITH OUT PILOT
LUB383LUCAS	Plate	21	No	09	HEADLAMP RHD AND PILOT
LUB362LUCAS	Plate	21	No	09	HEADLAMP LHD WITH PILOT
LUB319LUCAS	Plate	21	No	09	HEADLAMP LHD WITHOUT PILOT
LUB801	Plate	21	No	09	H4 LAMP KIT RHD(PR) 7" WITH PILOT
LUB802	Plate	21	No	09	H4 LAMP KIT LHD(PR) 7" NO PILOT
S4694B	Plate	21	No	09	WIPAC QUADOPTICS PR RHD WITHOUT

IMPORTANT - Parts are genuine except - Product codes ending with : # = Original Equipment.Supplier * = Reproduction/Non-O.E.

MK2 2.4-3.8 Price List

PARTNO	DESCRIPTION	David Manners Ltd MK2 2.4-3.8	
9403*	Plate 21 No 12	HEADLAMP GASKET	
3446*	Plate 21 No 13	H/LAMP DUST EXCLUDER	
C2639#	Plate 21 No 14	H/LAMP DIP SWITCH EARLY VERSION	
C2659*	Plate 21 No 15	DIPSWITCH RUBBER CAP EARLY	
		RTC432J ONLY 2 TERMINALS, FOR TYPE WITH 3 TERMINALS USE RTC432J#	
RTC432J#	Plate 21 No 14	HEADLAMP DIPSWITCH LATE VERSION	
		RTC432J# ONLY 3 TERMINALS,	
C14929*	Plate 21 No 16	FRONT SIDELAMP ASSY	
C4549/3*	Plate 21 No 00	FRT SIDE LAMP SCREW	
C4691*	Plate 21 No 00	S/LAMP IND.RED LENS	
8080#	Plate 21 No 19	REAR FLASHER LENS	
8081#	Plate 21 No 20	STOP/TAIL LENS	
8089#	Plate 21 No 20	STOP/TAIL LENS U.S.A. ONLY.	
8286*	Plate 21 No 21	RR LAMP LENS SHIELD	
8287*	Plate 21 No 22	LENS MOUNTING PLATE	
8174*	Plate 21 No 23	REAR LENS JOINT CLIP	
8082*	Plate 21 No 24	REAR LENS SCREW	
6538#	Plate 21 No 25	REAR FLASHER LENS	
DBC11382	Plate 21 No 25	SIDE/FLASHER BULB	
DBC11382#	Plate 21 No 25	SIDE/FLASHER BULB	
DBC11383#	Plate 21 No 26	STOP/TAIL BULB	
8085*	Plate 21 No 29	LH REAR LAMP BASE	
8087*	Plate 21 No 29	RH REAR LAMP BASE	
9721*	Plate 21 No 30	REAR LAMP RUBBER	
C16062	Plate 21 No 31	BRAKE LIGHT SWITCH	
C15430*	Plate 21 No 00	FRONT FLASHER LAMP	
C15431*	Plate 21 No 00	FRONT FLASHER LAMP U.S.A. ONLY	
5322*	Plate 21 No 32	FLASHER LENS & RIM	
7667*	Plate 21 No 32	FLASHER LENS & RIM U.S.A. ONLY	
5324*	Plate 21 No 33	FRONT FLASHER LENS	
DBC11382	Plate 21 No 00	SIDE/FLASHER BULB	
DBC11382#	Plate 21 No 00	SIDE/FLASHER BULB	
8059*	Plate 21 No 37	FRONT FLASHER RUBBER	
JLM9552#	Plate 21 No 38	FLASHER UNIT	
		JLM9552# HAS SCREW TERMINALS, IT WILL FIT EARLY AND LATE MODELS.	
JLM9552	Plate 21 No 38	FLASHER UNIT	
		JLM9552 HAS LUCAR CONNECTION (SPADE TERMINALS)	
6711*	Plate 21 No 39	NUMBER PLATE PLINTH MK2	
3489*	Plate 21 No 40	NO.PLATE LIGHT SEAL	
3487SH	Plate 21 No 42	REVERSE LAMP LENS	
3488*	Plate 21 No 43	NO.PLATE LENS GASKET	
DAC3844*	Plate 21 No 45	REVERSE LIGHT SWITCH	
C4531*	Plate 21 No 46	REV.SWITCH GASKET	
136577*	Plate 21 No 50	LOW NOTE HORN ASSY SNAIL TYPE	
136578*	Plate 21 No 50	HIGH NOTE HORN ASSY SNAIL TYPE	
C22254*	Plate 21 No 50	HORN ASSY HIGH NOTE	
C22255*	Plate 21 No 50	HORN ASSY LOW NOTE	
GGE103	Plate 21 No 50	HORN ASSY HIGH NOTE	
GGE104	Plate 21 No 50	HORN ASSY LOW NOTE	
C17338*	Plate 21 No 53	HORN RELAY6RA	
C17338/5	Plate 21 No 53	HORN RELAY6RA	
C15665*	Plate 21 No 00	HORN RING REPAIR KIT	
C18979*	Plate 21 No 54	CHROME HORN RING	
8095*	Plate 21 No 55	HORN RING COVER EARLY	

IMPORTANT - Parts are genuine except - Product codes ending with : # = Original Equipment.Supplier * = Reproduction/Non-O.E.

MK2 2.4-3.8 Price List

PARTNO	DESCRIPTION	David Manners Ltd MK2 2.4-3.8			
C22271	Plate 21 No 55	PLASTIC HORN COVER	LATE		
C25255*	Plate 21 No 58	FLASH SWITCH	EARLY		
C25555	Plate 21 No 58	FLASH SWITCH	LATE		
C25255/1*	Plate 21 No 00	INDICATOR ARM			
C16792*	Plate 21 No 59	UPPER STEERING COWL			
C20792*	Plate 21 No 60	LOWER STEERING COWL			
C20735*	Plate 21 No 00	FOGRANGER LAMP ASSY			
C15892*	Plate 21 No 70	FOGLAMP EMBELLISHER			
C15486*	Plate 21 No 71	MAP LIGHT			
-C13503E*		SURCHARGE			
C13504E*	Plate 21 No 72	WIPER MOTOR DR3	LHD		
-C13504E*		SURCHARGE			
8697*	Plate 21 No 78	WIPER ARM	RHD		
8698*	Plate 21 No 78	WIPER ARM	LHD		
C17004*	Plate 21 No 00	WASHER BOTTLE ASSY	EARLY GLASS		
C25438*	Plate 21 No 00	WASHER BOTTLE ASSY	LATER PLASTIC		
TKC2279#	Plate 21 No 00	WASHER BOTTLE ASSY	LATER		
C27001*	Plate 21 No 80	BATTERY DRY CHARGED			
C26782*	Plate 21 No 81	BATTERY TRAY	PLASTIC		
C14346*	Plate 21 No 82	TOP BATTERY COVER			
C10640/1*	Plate 21 No 83	BATTERY TRAY DRAIN			
C10186*	Plate 21 No 84	BATTERY STRAP			
C10186/1*	Plate 21 No 00	NEGATIVE EARTH PLATE			
C10186/2*	Plate 21 No 00	POSITIVE EARTH PLATE			
C10188/1*	Plate 21 No 85	BATTERY STRAP RUBBER			
C10187*	Plate 21 No 86	BATTERY STRAP BOLT			
BCK120	Plate 21 No 00	BATTERY CABLE SET			
JL162SET	Plate 21 No 00	COMPLETE WIRING SET MK2	MANUAL		
		JL162SET is a cotton braided covered loom.			
JL172SET	Plate 21 No 00	COMPLETE WIRING SET MK2			
		JL172SET is a cotton braided covered loom.			
JL163	Plate 21 No 00	MAIN HARNESS	59/66 MANUAL O/D		
		JL163 is a plastic tape covered loom			
JL172	Plate 21 No 00	MAIN HARNESS	59/66 AUTOMATIC		
		JL172 is a cotton braided covered loom.			
JL173	Plate 21 No 00	MAIN HARNESS	59/66 AUTOMATIC		
		JL173 is a plastic tape covered loom			
C15668*	Plate 21 No 00	BOOT LID HARNESS	Braided.		
C15460*	Plate 21 No 00	RH BODY SIDE HARNESS	Braided.		
C15461*	Plate 21 No 00	LH BODY SIDE HARNESS	Braided.		
C15790*	Plate 21 No 00	CENTRE PANEL HARNESS	Braided.		
JL174	Plate 21 No 00	OVERDRIVE HARNESS	Braided.		
JL216	Plate 21 No 00	INT.LIGHTS HARNESS	4 PCS Braided.		
JL217	Plate 21 No 00	FRONT LIGHTS HARNESS	Braided.		
JL220	Plate 21 No 00	HEATED WINDOW HARNESS	Braided.		
GAC1022	Plate 21 No 00	RUBBER GROMMET SET			
		THE FOLLOWING LOOMS ARE FOR 240 & 340.			
C25606*	Plate 21 No 00	MAIN HARNESS	240/340 MANUAL		
		C25606* is a cotton braided covered loom.			
JL165	Plate 21 No 00	MAIN HARNESS	240/340 MANUAL O/D		
		JL165 is a plastic tape covered loom			
C25962*	Plate 21 No 00	MAIN HARNESS	240/340 AUTOMATIC		
		C25962* is a cotton braided covered loom.			
JL177	Plate 21 No 00	MAIN HARNESS	240/340 AUTOMATIC		

IMPORTANT - Parts are genuine except - Product codes ending with : # = Original Equipment.Supplier * = Reproduction/Non-O.E.

MK2 2.4-3.8 Price List

PARTNO	DESCRIPTION	David Manners Ltd MK2 2.4-3.8
	JL177 is a plastic tape covered loom	
GAC1022	Plate 21 No 00	RUBBER GROMMET SET
JL175	Plate 21 No 00	ALTERNATOR HARNESS MK2 (WHEN
Tools		
C993*	TYRE VALVE TOOL BRASS	
C5444*	DISTRIB SCREWDRIVER	
C5587*	FEELER GAUGE	
C4595*	9/16X5/8 AF SPANNER	
C13269*	GREASE GUN	
GAC2057X	WIRE WHEEL BRUSH WIRE WHEELS	
GAC1089	WOODEN SPINNER SAVER	
JEC14	HUB REMOVAL ADAPT WIRE WHEEL HUB	
JD1D	HUB PULLER	
C27290*	COPPER/HIDE HAMMER WIRE WHEELS	
C10659*	LIFTING JACK ASSY	
C2954*	JACK HANDLE	
C13620*	DUNLOP BLDR TIN/TUBE	
Accessories		
JTP1003	PARTS/TECH DVD JAG MK1, MK2 240/340	
JTP1015	PARTS/TECH DVD SET JAGUAR COLLECTION	
C2A1025	CHAMOIS LEATHER	
GAC1094/2	HANDBOOK WALLET MK2	
XWCLEANER	W/W CLEANING KIT WIRE WHEELS	
RIS001B	RUN IN STICKER BLUE	
RIS001R	RUN IN STICKER RED	
ST156	LUCAS COIL LABEL	
CP378	MANUFACTURERS PLATE MK2/E-TYPE	
CP425	CHASSIS PLATE E-TYPE / LATE MK2	
JEB1146	CARD NOTE	
JEB1189	MODEL-CAR	XK180 CONCEPT
JEB1200	MODEL-CAR	S-TYPE SALOON
JEB1008	MODEL CAR	
JEB1009	MODEL CAR	XK8 COUPE
GAC9971X	OLD R.A.C BADGE	RETRO
GAC9972X	OLD A.A BADGE	RETRO
GAC1000	LEATHER CONDITIONER	
GAC1001	LEATHER CLEANER	
C2S1643#	CONNOLLY HIDE FOOD	
CASTROL	CASTROL 20/50 OIL 4.54 LTR/ 1 GALLON	
/BG61074/1	XJ220 TANK BAG	
/BG20016	SWING BAG BROWN	
C2A1024	DE-ICER	
JLM2082	TORCH HIGH POWER XJ MODELS	
GBK1	NUTS BOLTS WASHERS VARIOUS	
CLOTHING SECTION ..		
JEB1114/2	POLO SHIRT	MEDIUM
JEB1114/3	POLO SHIRT	LARGE
JEB1114/5	POLO SHIRT	EXTRA, EXTRA LARGE
JEB1115/1	SWEATSHIRT	SMALL
JEB1115/2	SWEATSHIRT	MEDIUM
JEB1115/3	SWEATSHIRT	LARGE
JEB1115/4	SWEATSHIRT	EXTRA LARGE

IMPORTANT - Parts are genuine except - Product codes ending with : # = Original Equipment.Supplier * = Reproduction/Non-O.E.

MK2 2.4-3.8 Price List

PARTNO	DESCRIPTION	David Manners Ltd MK2 2.4-3.8
JEB1115/5	SWEATSHIRT	EXTRA, EXTRA LARGE
JEB1116/1	JUMPER	SMALL
JEB1116/2	JUMPER	MEDIUM
JEB1116/3	JUMPER	LARGE
JEB1116/4	JUMPER	EXTRA LARGE
JEB1120/1	LEATHER BELT	BLACK SMALL 30-34
JEB1121/1	LEATHER BELT	BROWN SMALL 30 TO 34
JEB1121/2	LEATHER BELT	BROWN MEDIUM 34-38
JEB1146	CARD NOTE	
LLJ1	MOUNTED LEAPING CAT OAK BASE	
LLJ1/1	MOUNTED LEAPING CAT SPECIAL OAK BASE	
LLJ1N	MOUNTED LEAPING CAT PLAIN OAK BASE	
LLJ2	MOUNTED LEAPING CAT OAK BASE & PEN REST	
LLJ3	MOUNTED LEAPING CAT OAK BASE & CARD HOLD	
LLJ3N	MOUNTED LEAPING CAT OAK BASE & CARD HOLD	
SLJ1	GOLD MOUNTED LEAPER OAK BASE	
SLJ2	GOLD MOUNTED LEAPER OAK BASE & PEN HOLD	
SLJ3	CHROME MOUNTED LEAPEOAK BASE	
SLJ4	CHROME MOUNTED LEAPEOAK BASE & PEN HOLD	
OILS AND FLUIDS SECTION		
CASTROL	CASTROL 20/50 OIL	4.54 LTR/ 1 GALLON
MILLERS1	10W40 S/S	5 LT ENGINE OIL
MILLERS2	MAN GEAR OIL EP80-90	1 LTR
MILLERS3	BLUE ANTIFREEZE	1 LTR
MILLERS4	ATF-UN DEX II GEAR OIL	1 LTR
MILLERS5	5W40 F/S	5 LT ENGINE OIL
MILLERS7	CTV 20W/50 S/S	5 LT ENGINE OIL
MILLERS10	5W30 C2	5LT ENGINE OIL
MILLERS11	5W30 C3	5LT ENGINE OIL
MILLERS12	RUNNING IN OIL	5LT ENGINE OIL
MILLERS13	LEAD REPLACEMENT	250 ML

IMPORTANT - Parts are genuine except - Product codes ending with : # = Original Equipment.Supplier * = Reproduction/Non-O.E.



0121 544 4040

WWW.DAVIDMANNERS.CO.UK

ENQUIRIES@DAVIDMANNERS.CO.UK

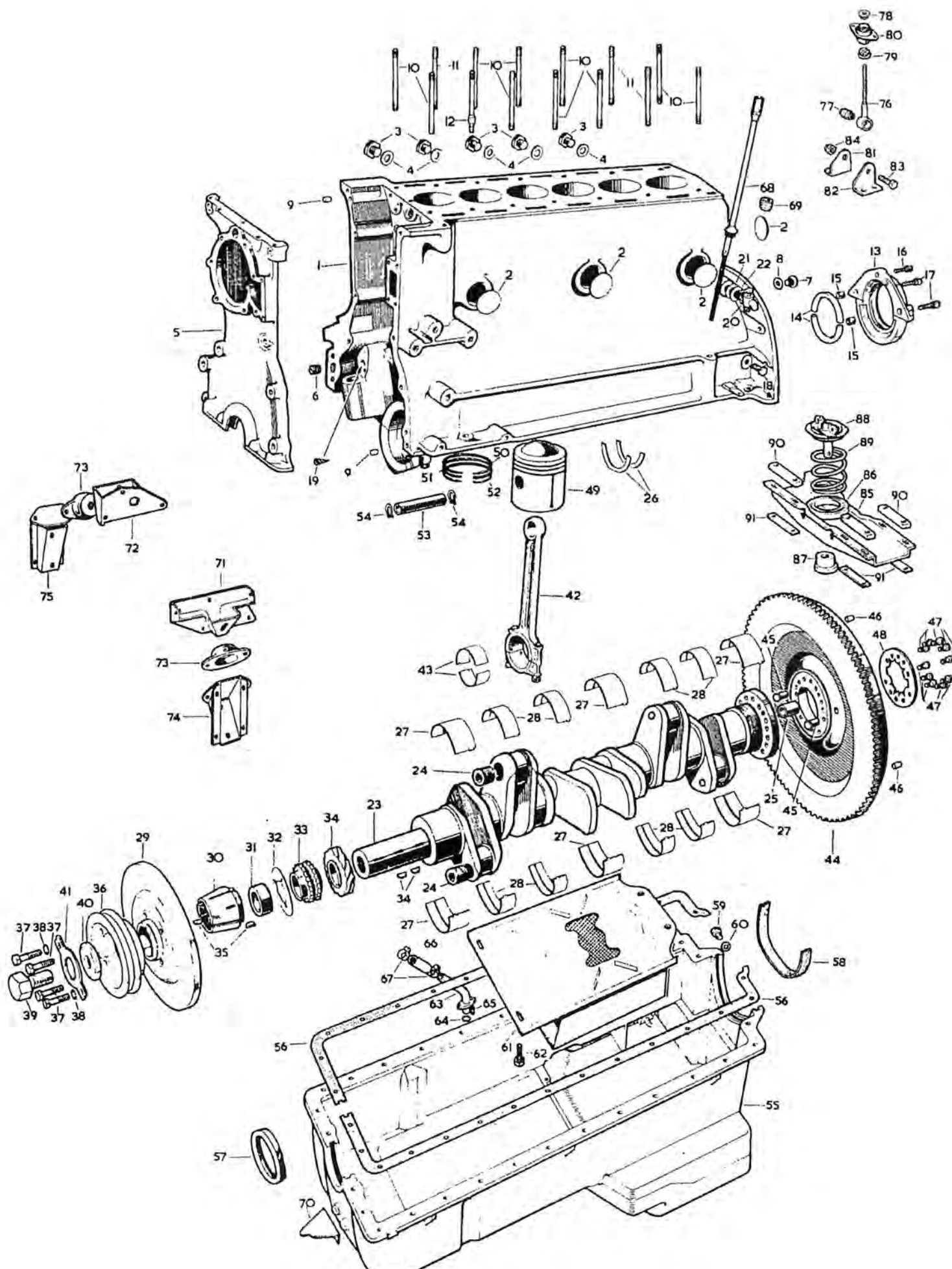


PLATE 1

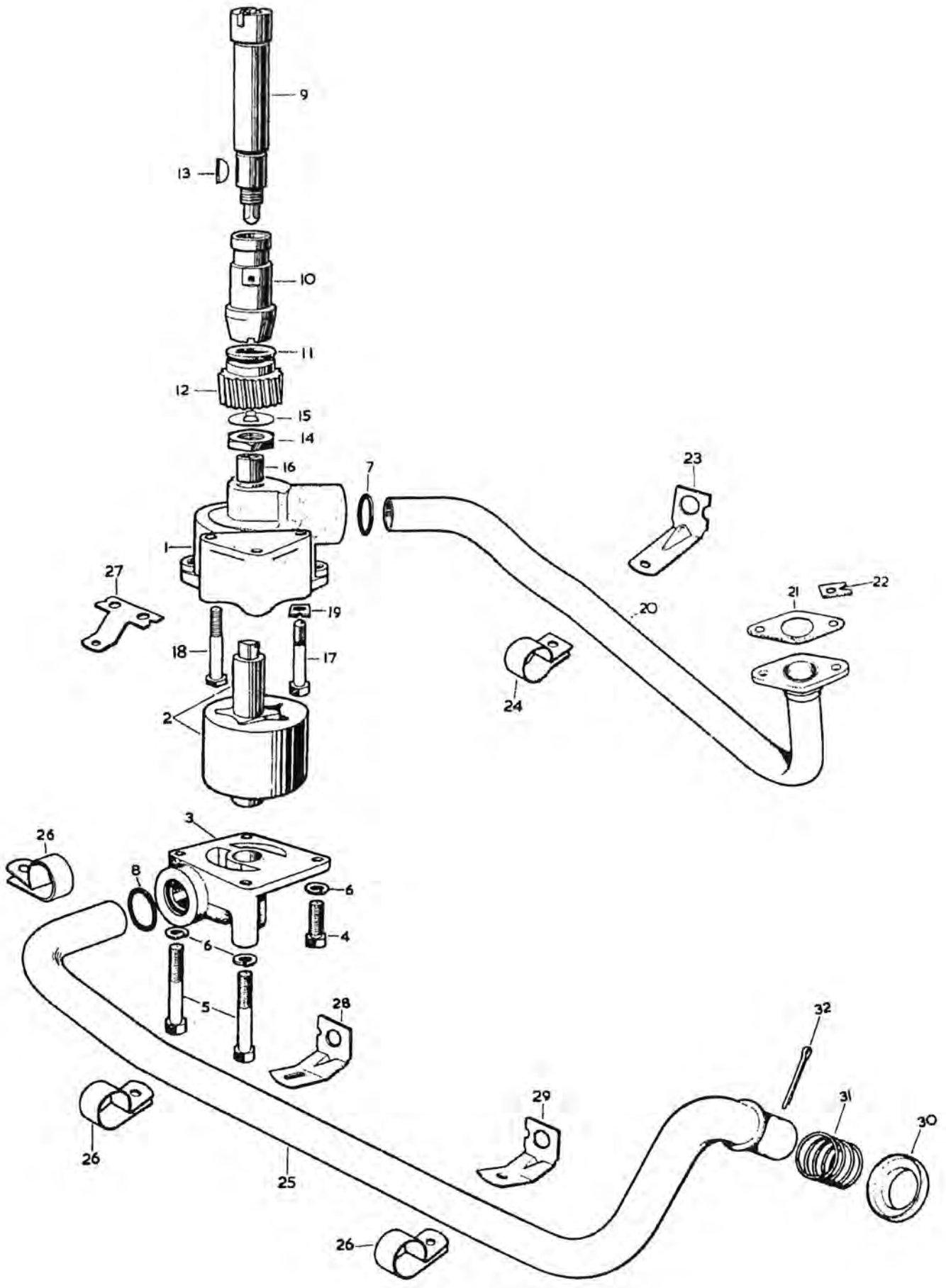


PLATE 2

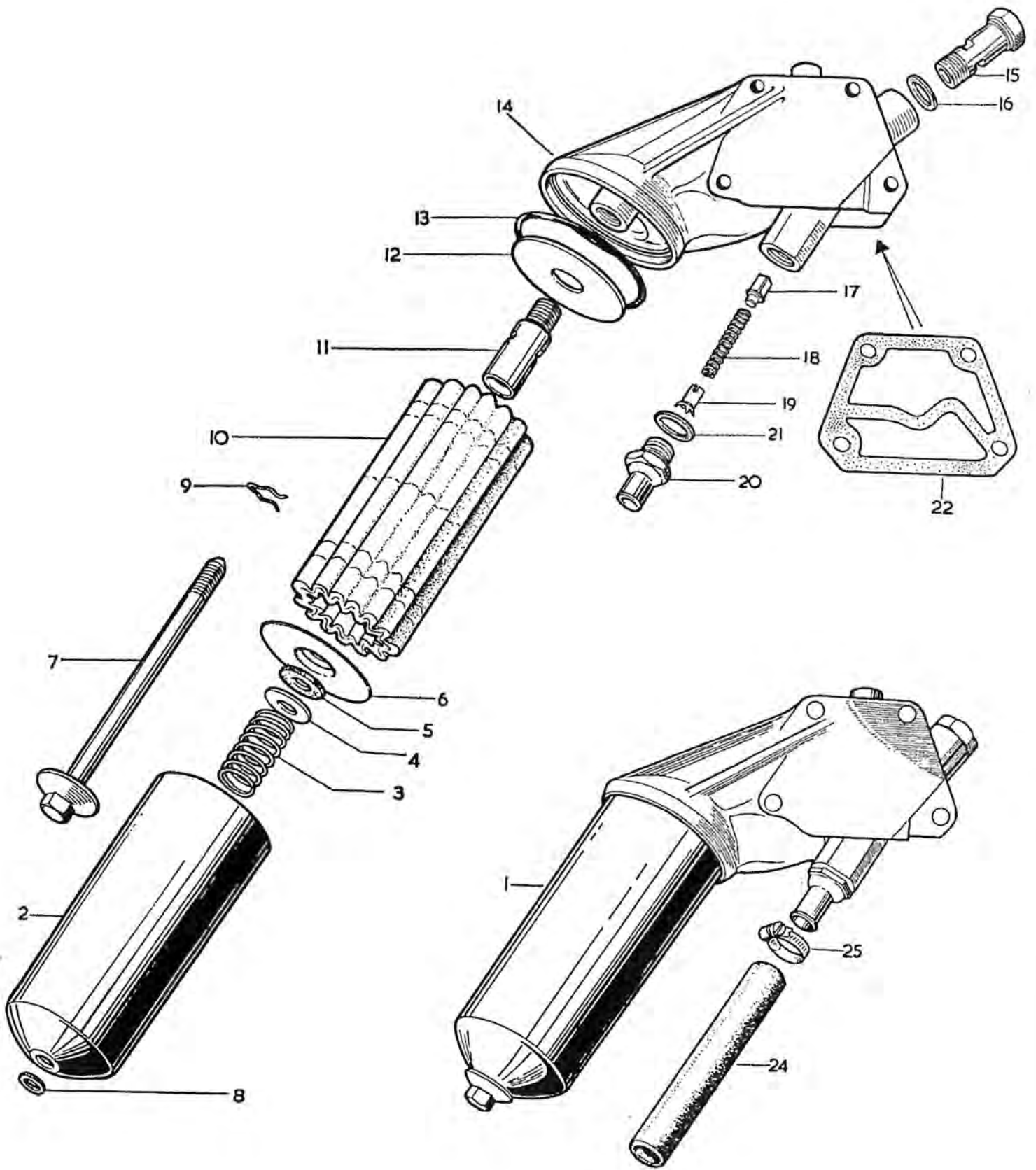


PLATE 3

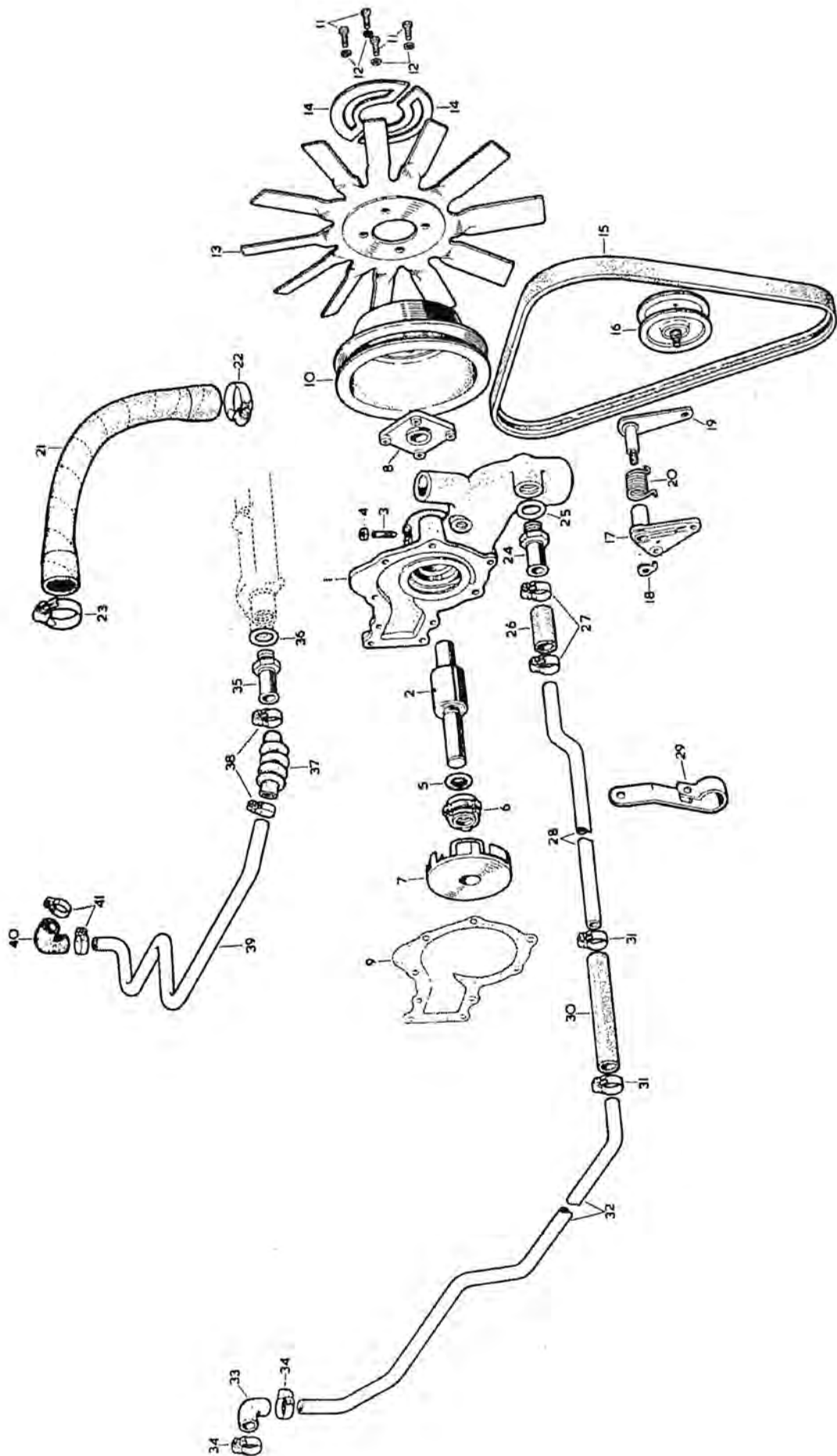
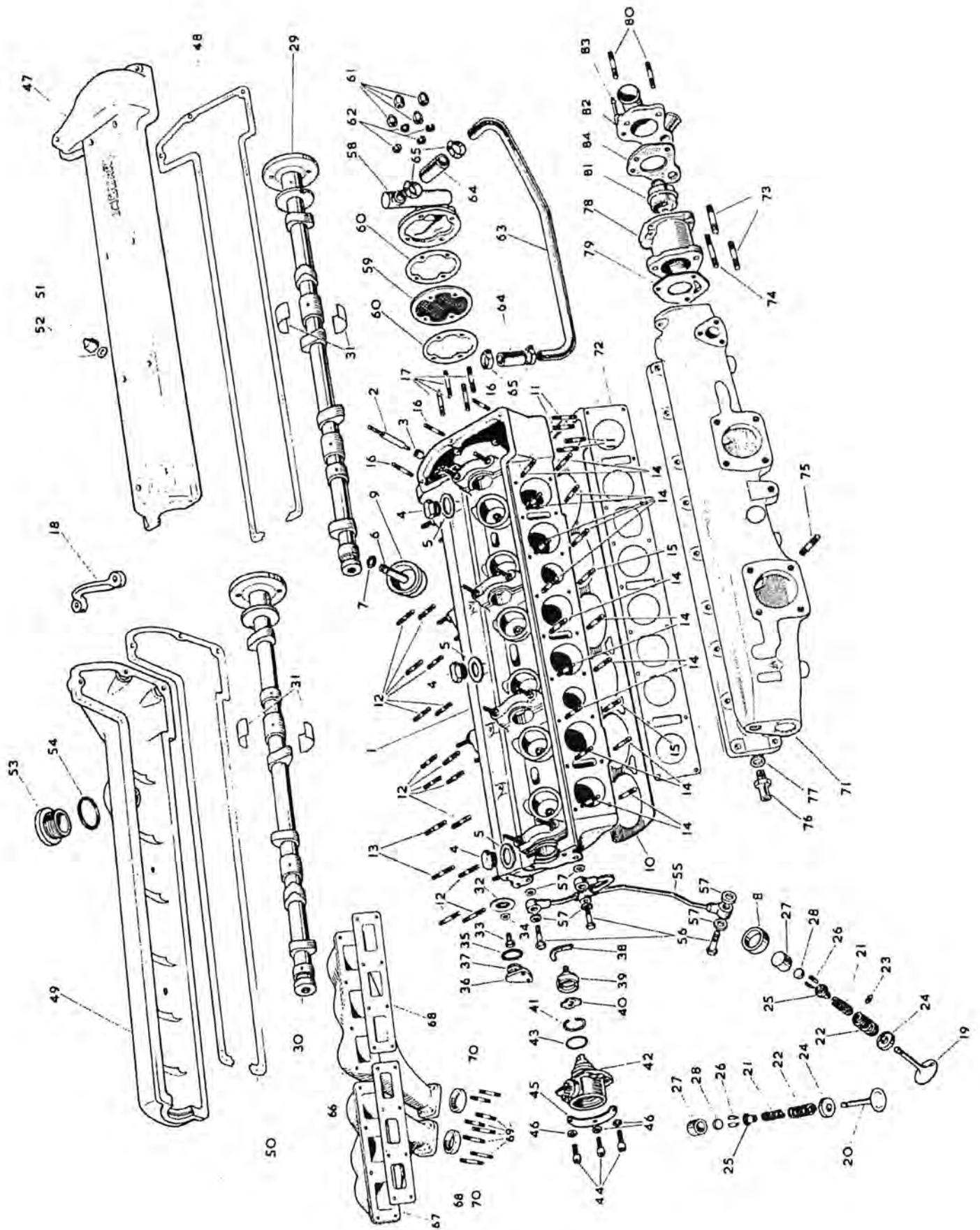
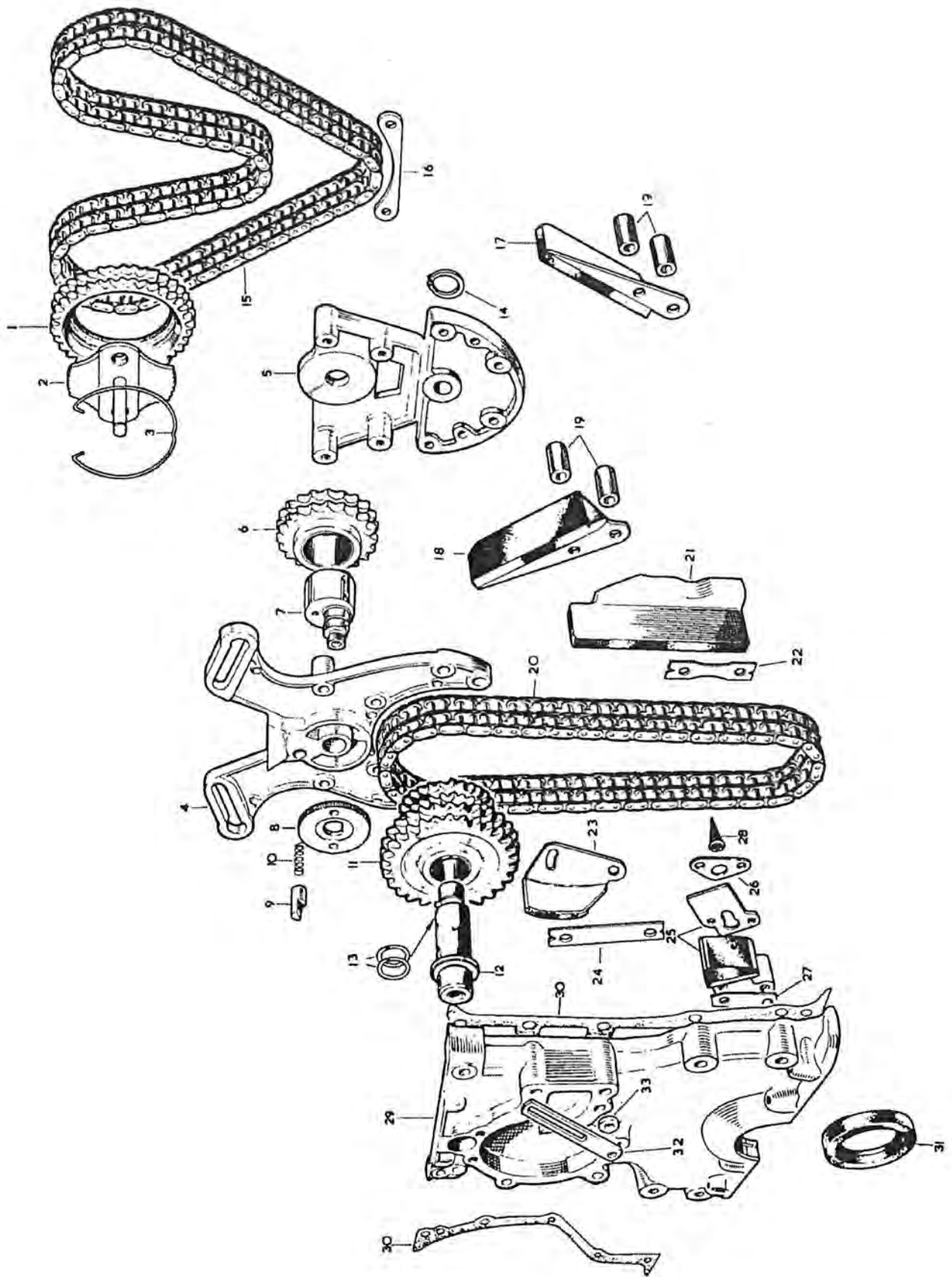
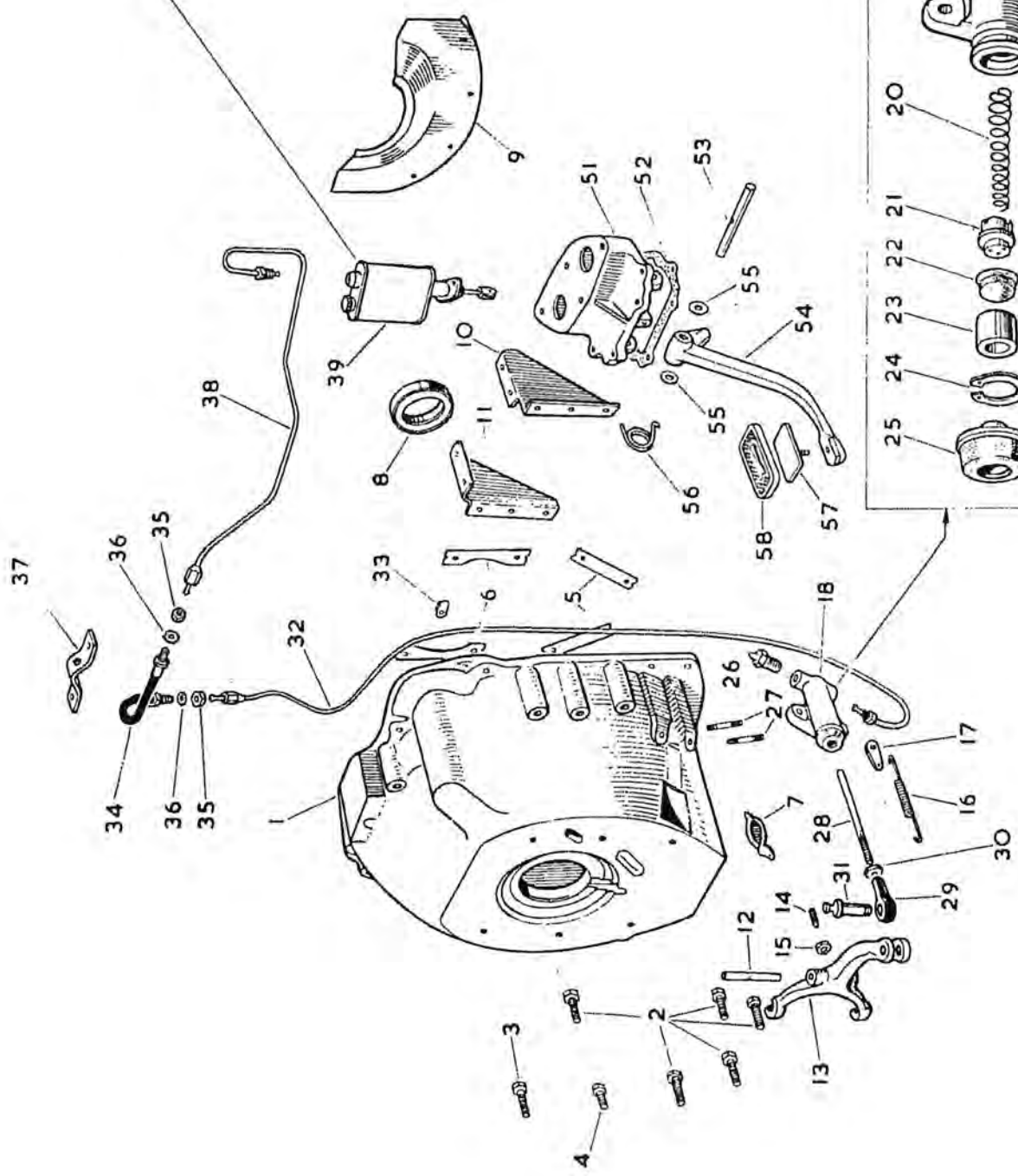
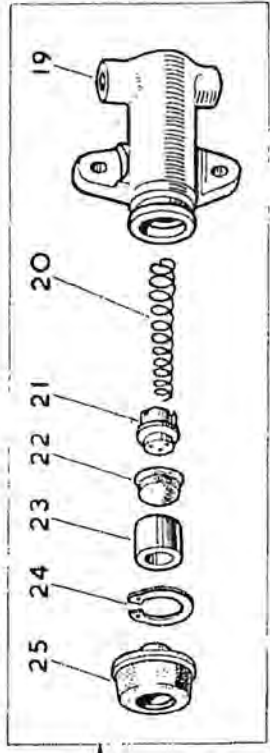
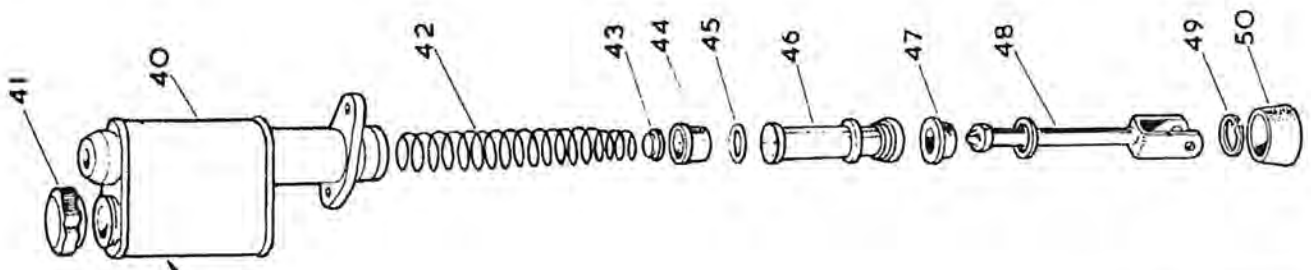
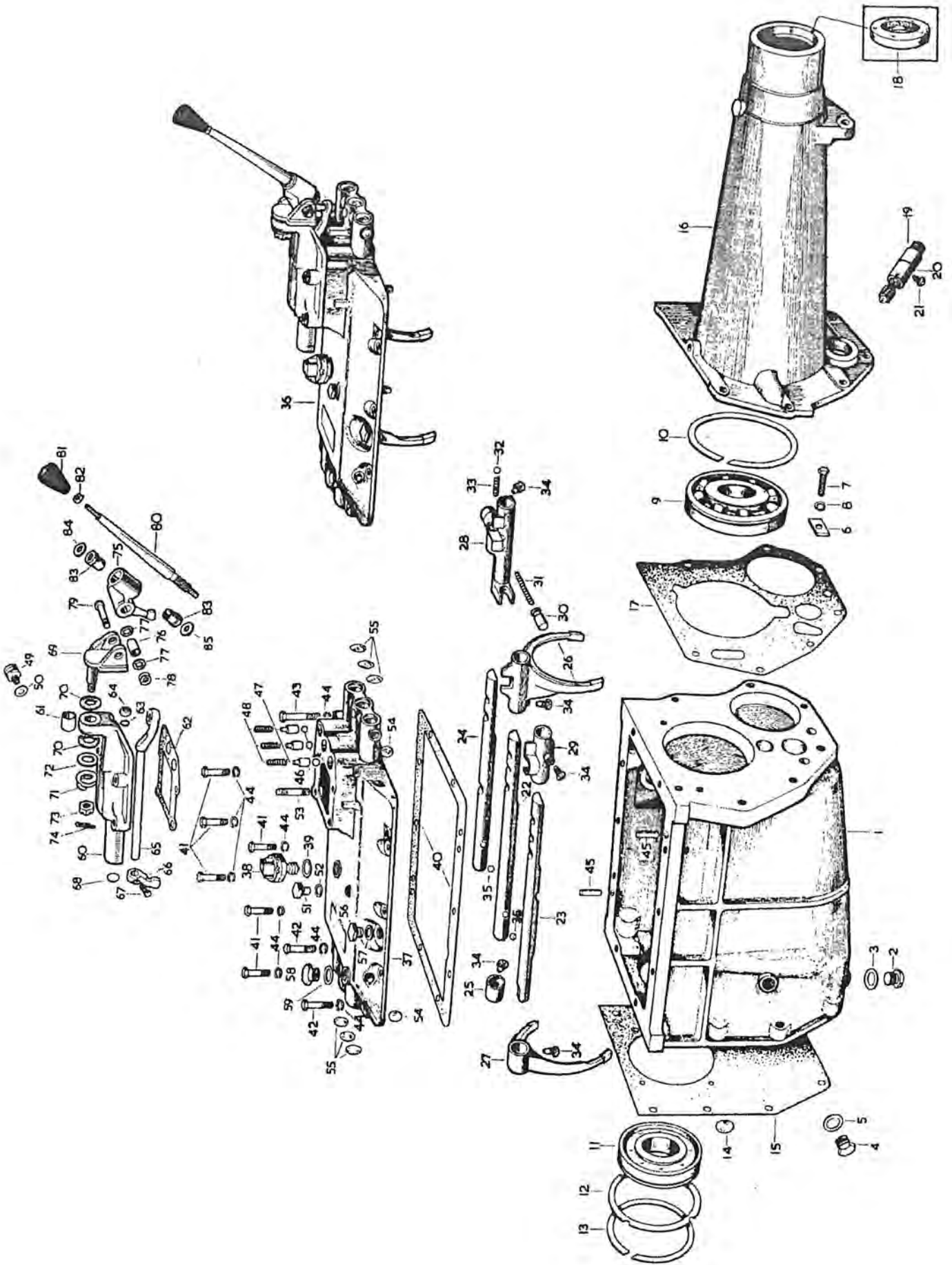


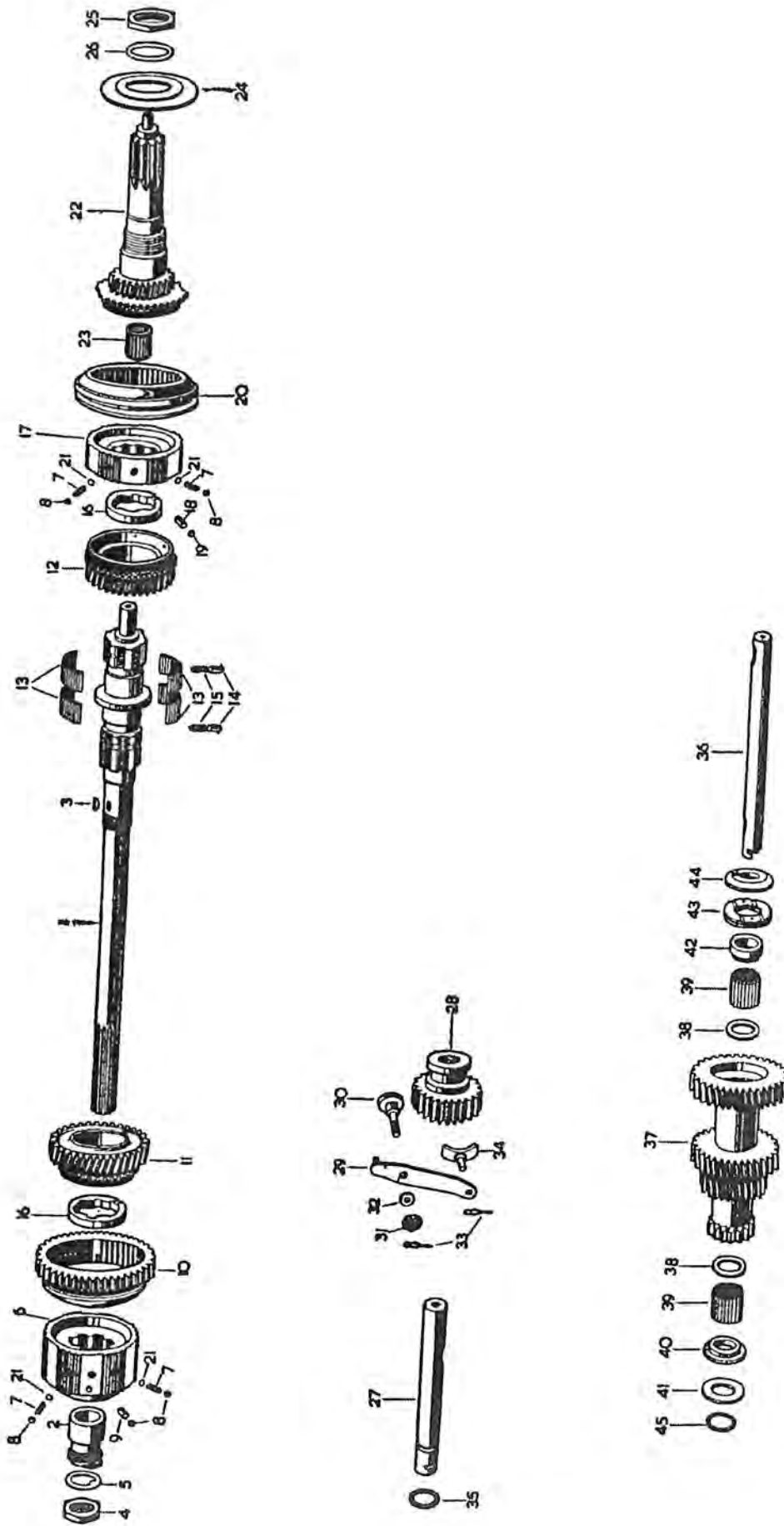
PLATE 3A











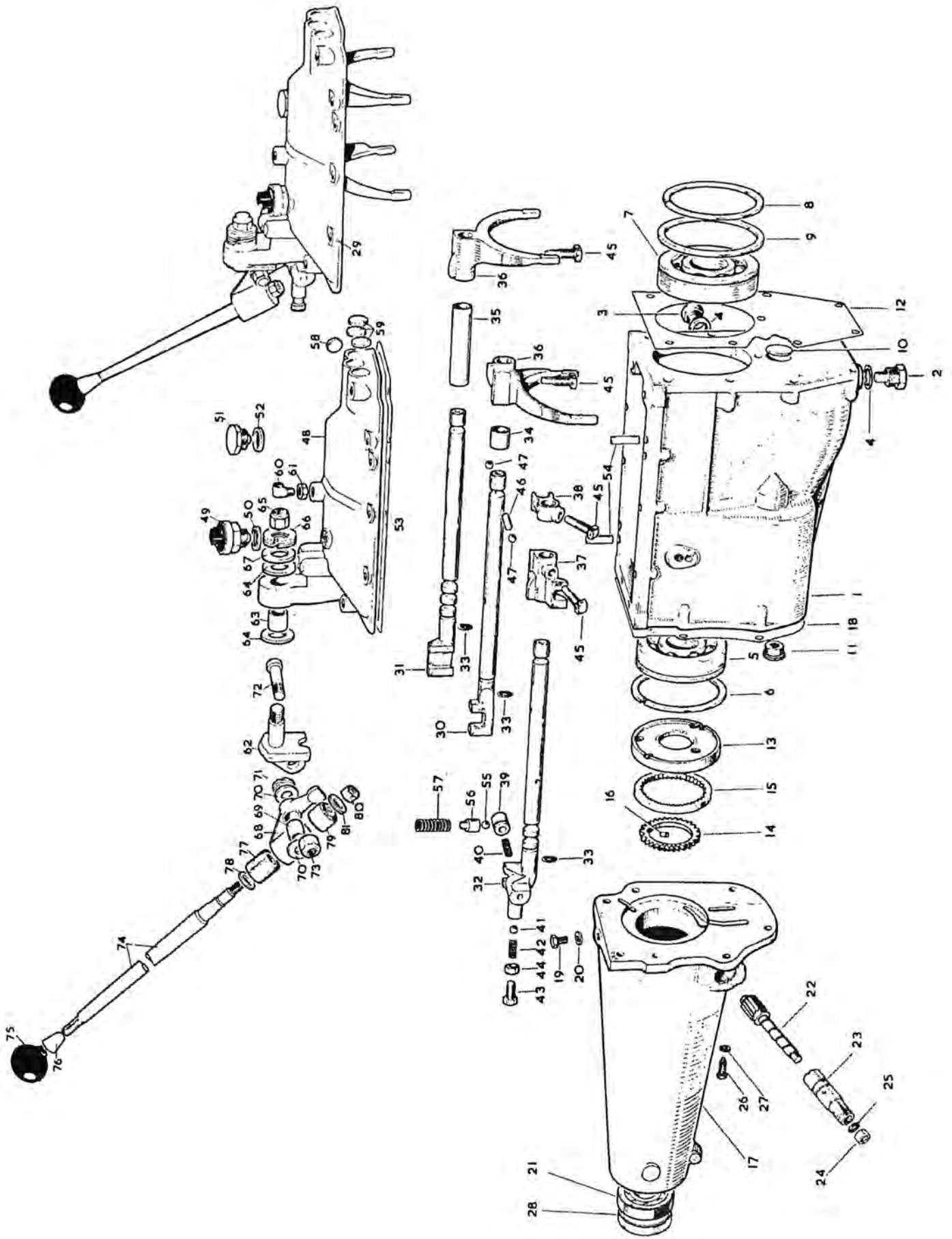
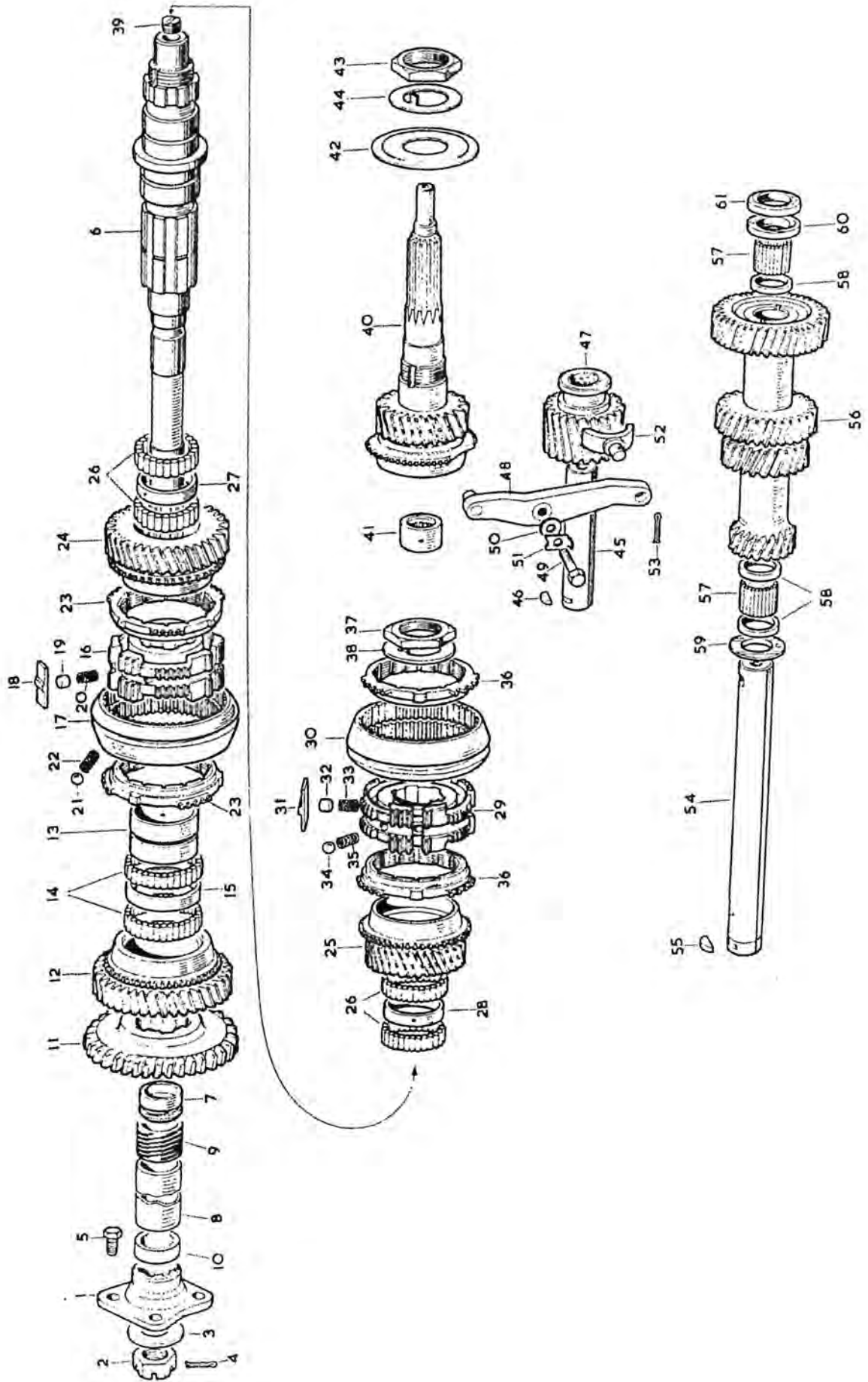
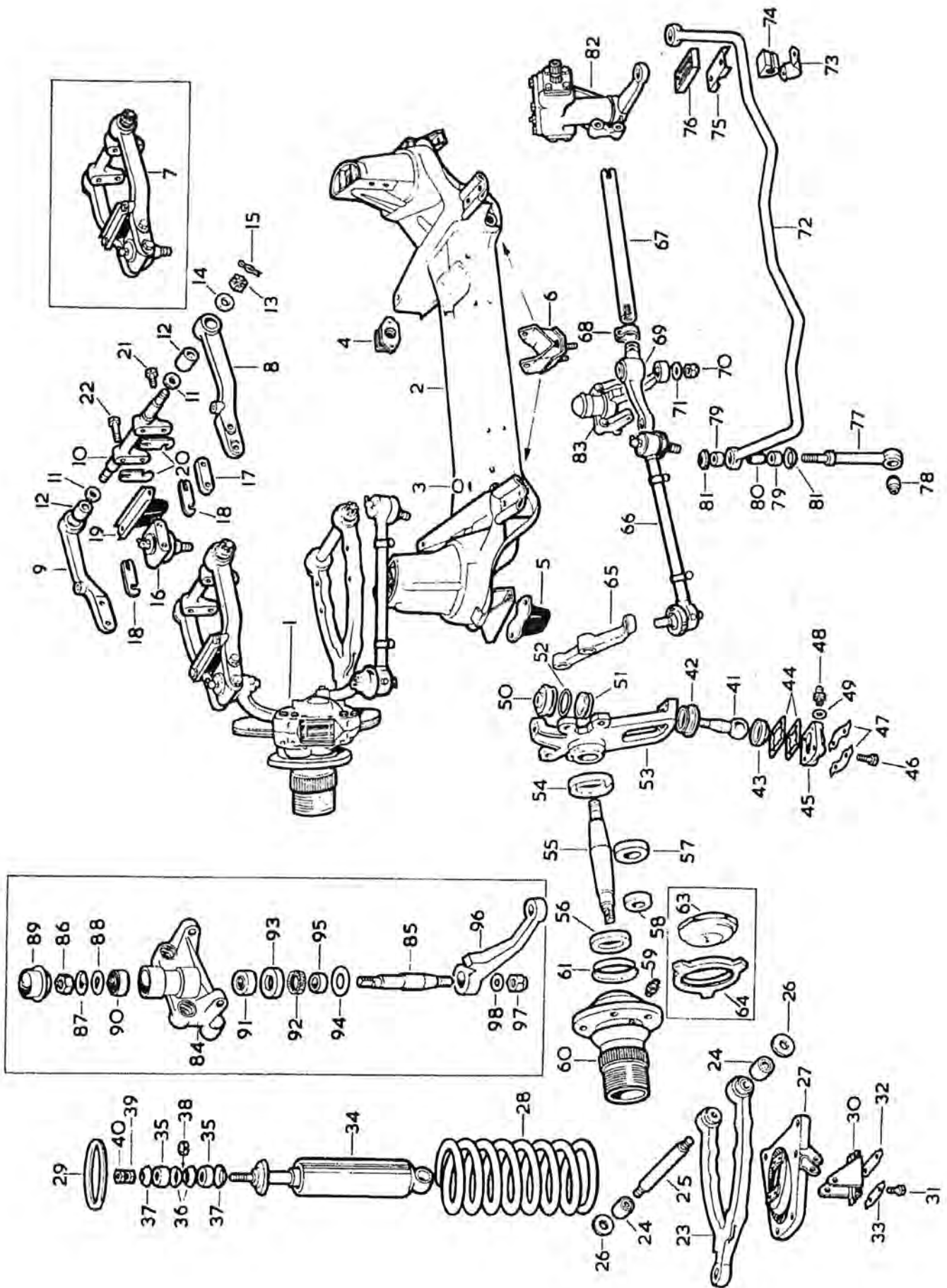


PLATE 9





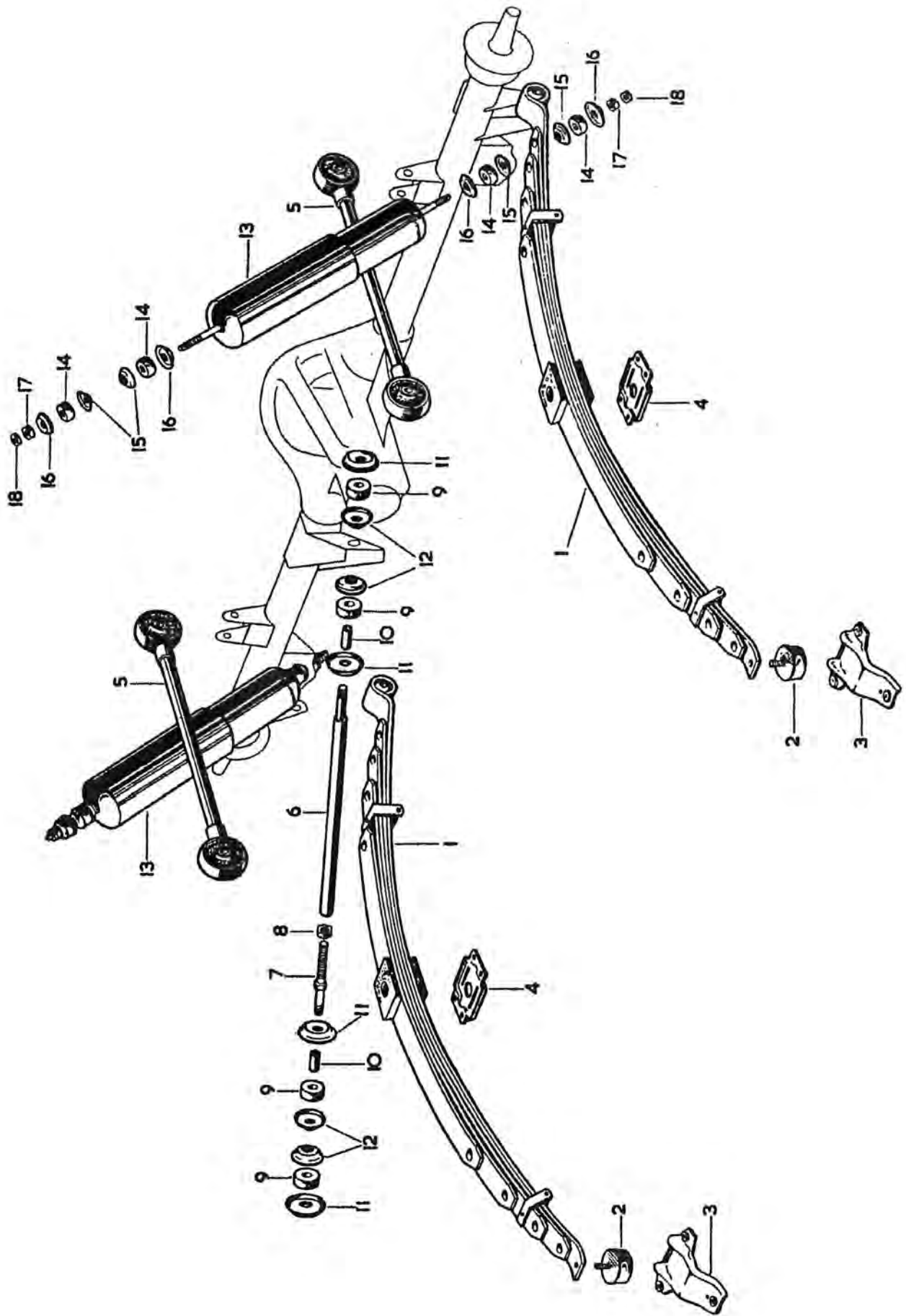


PLATE 12

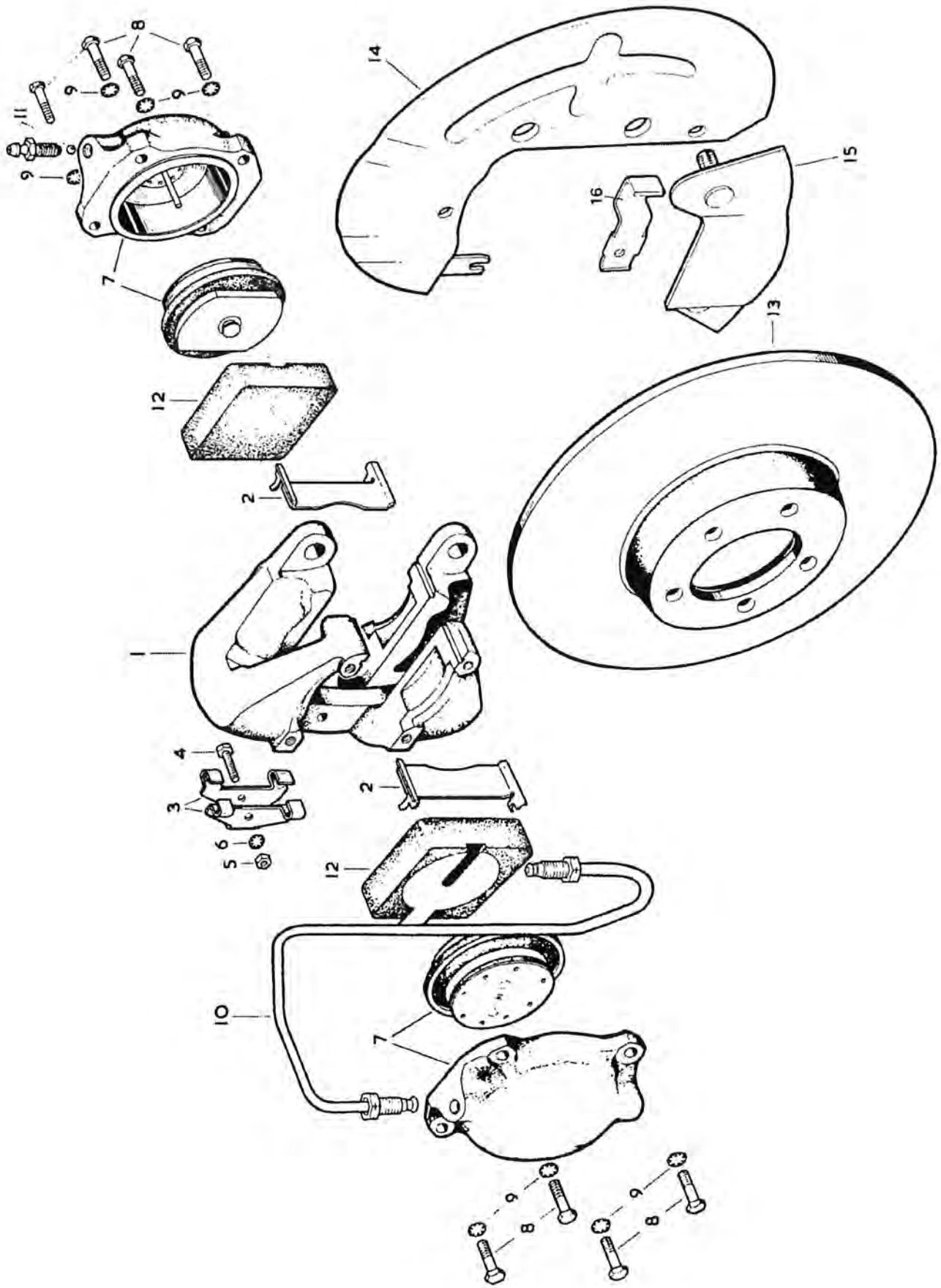


PLATE 12A

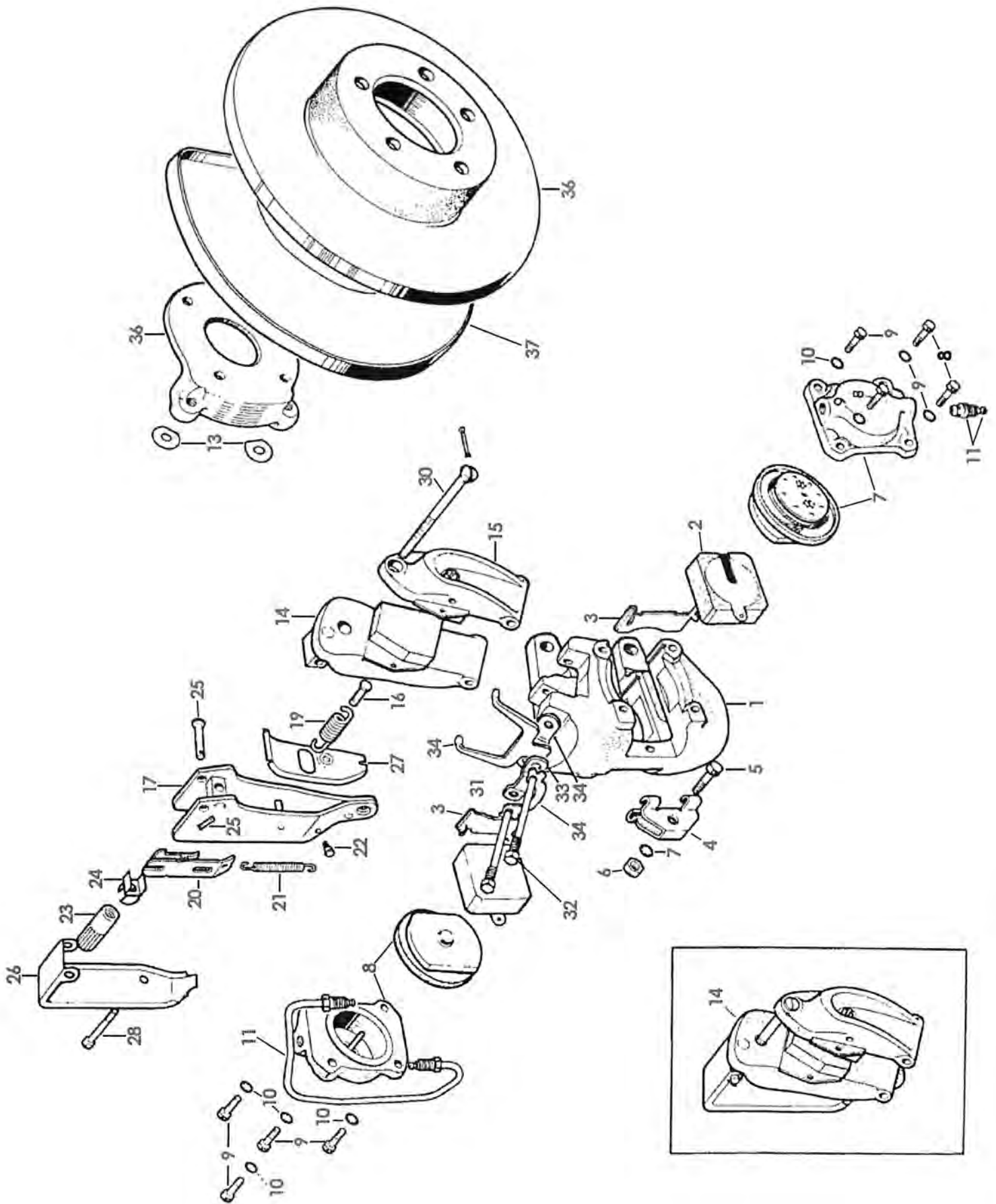


PLATE 13

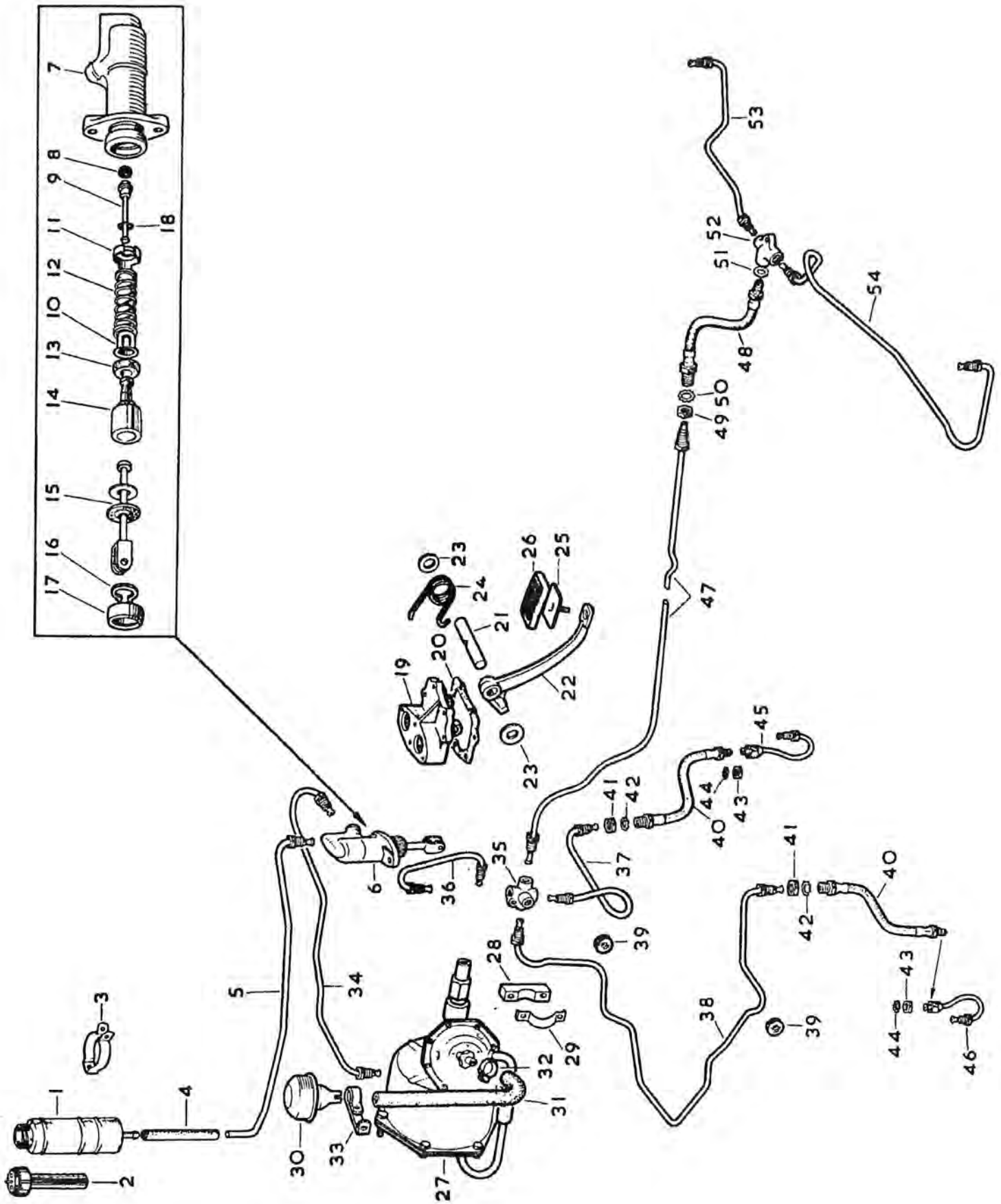


PLATE 14

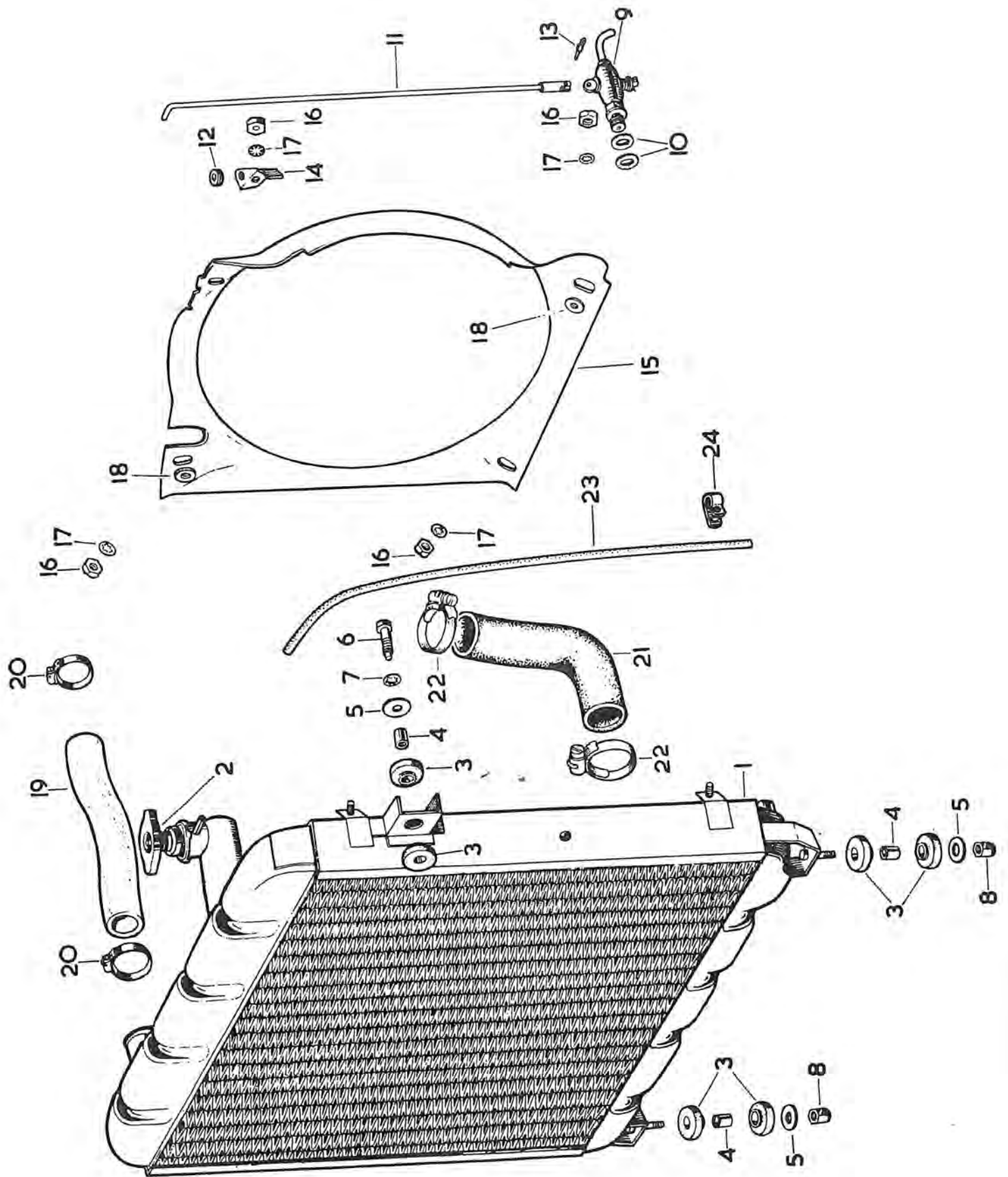


PLATE 15

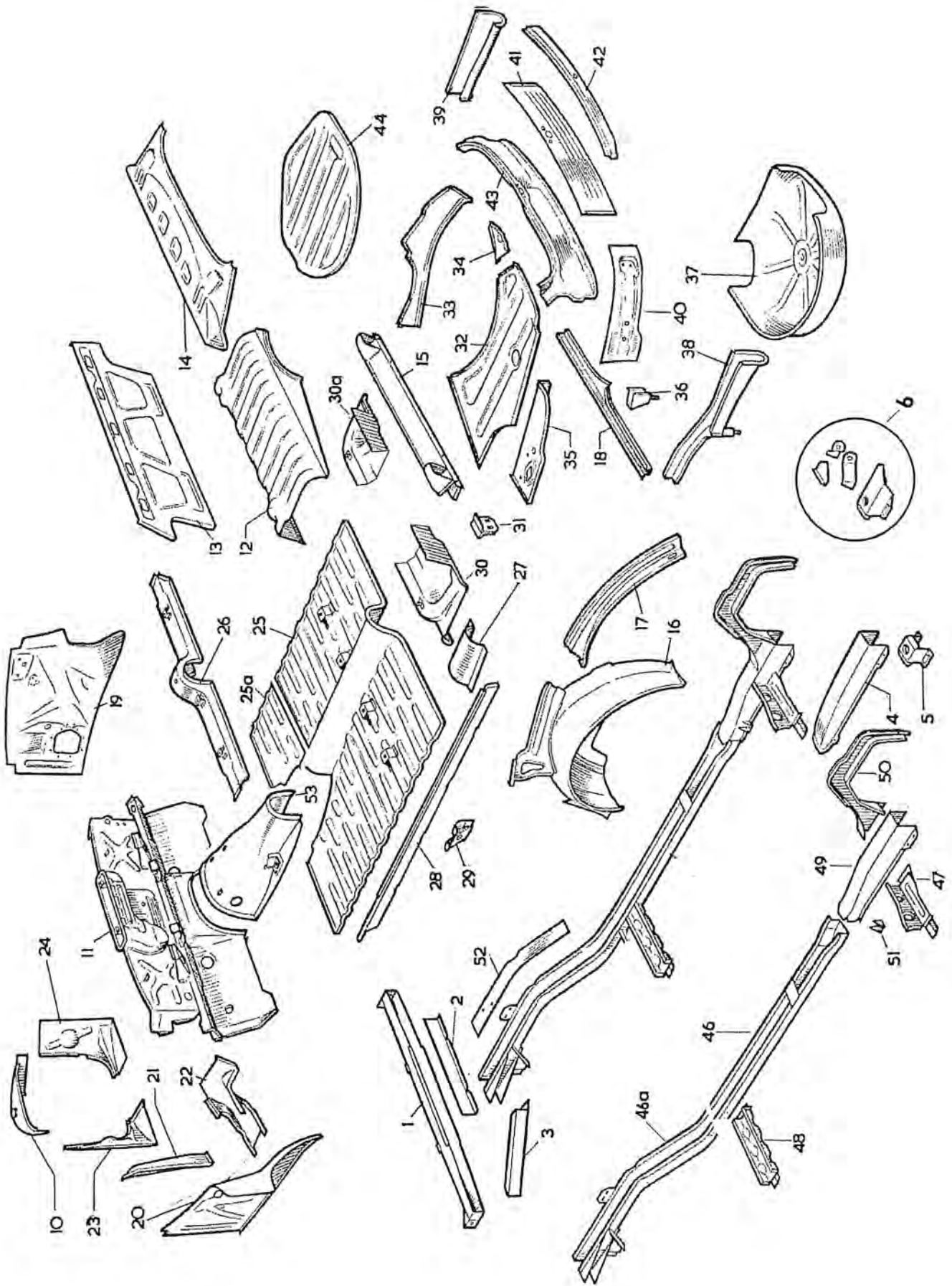
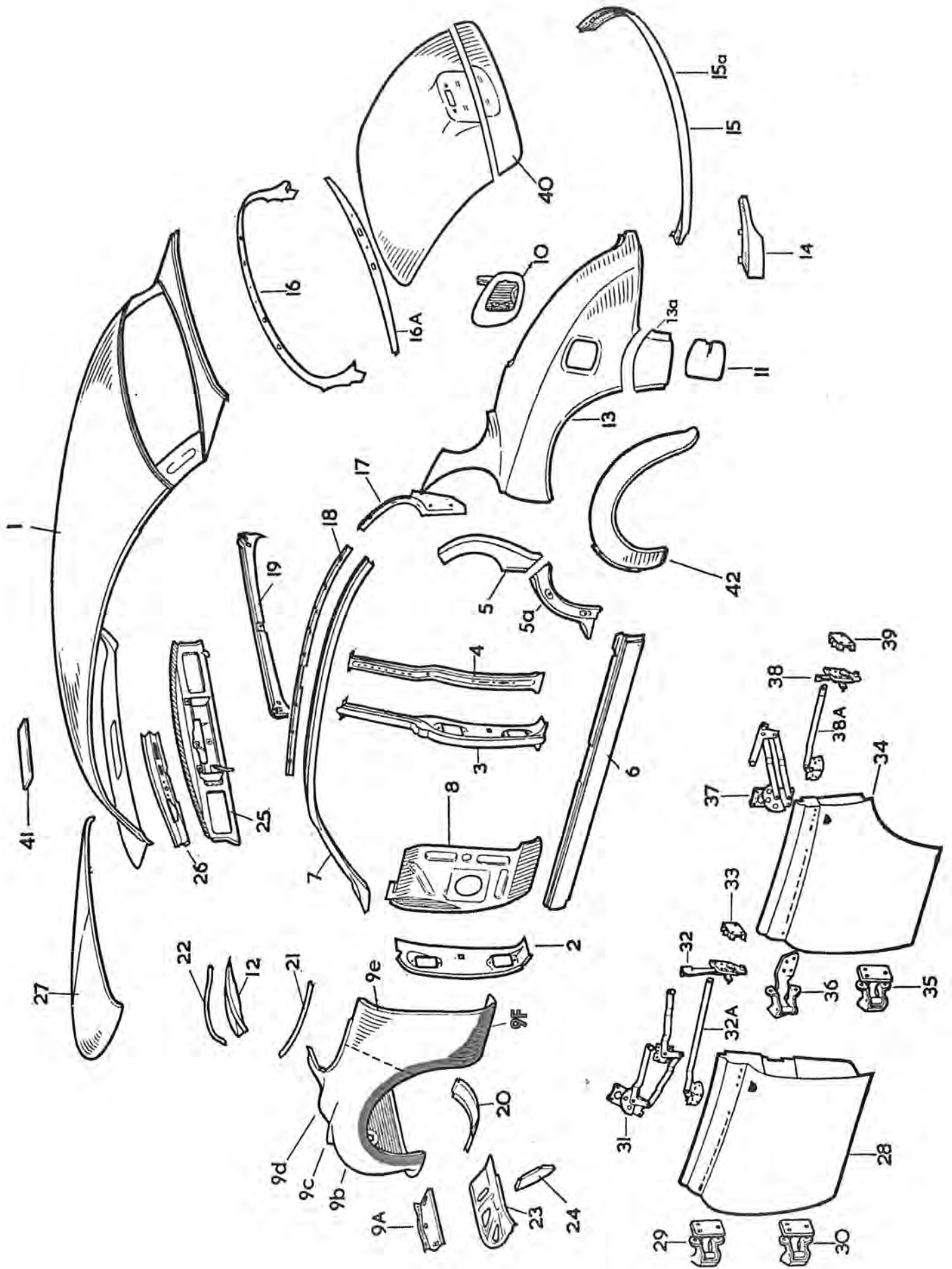


PLATE 16



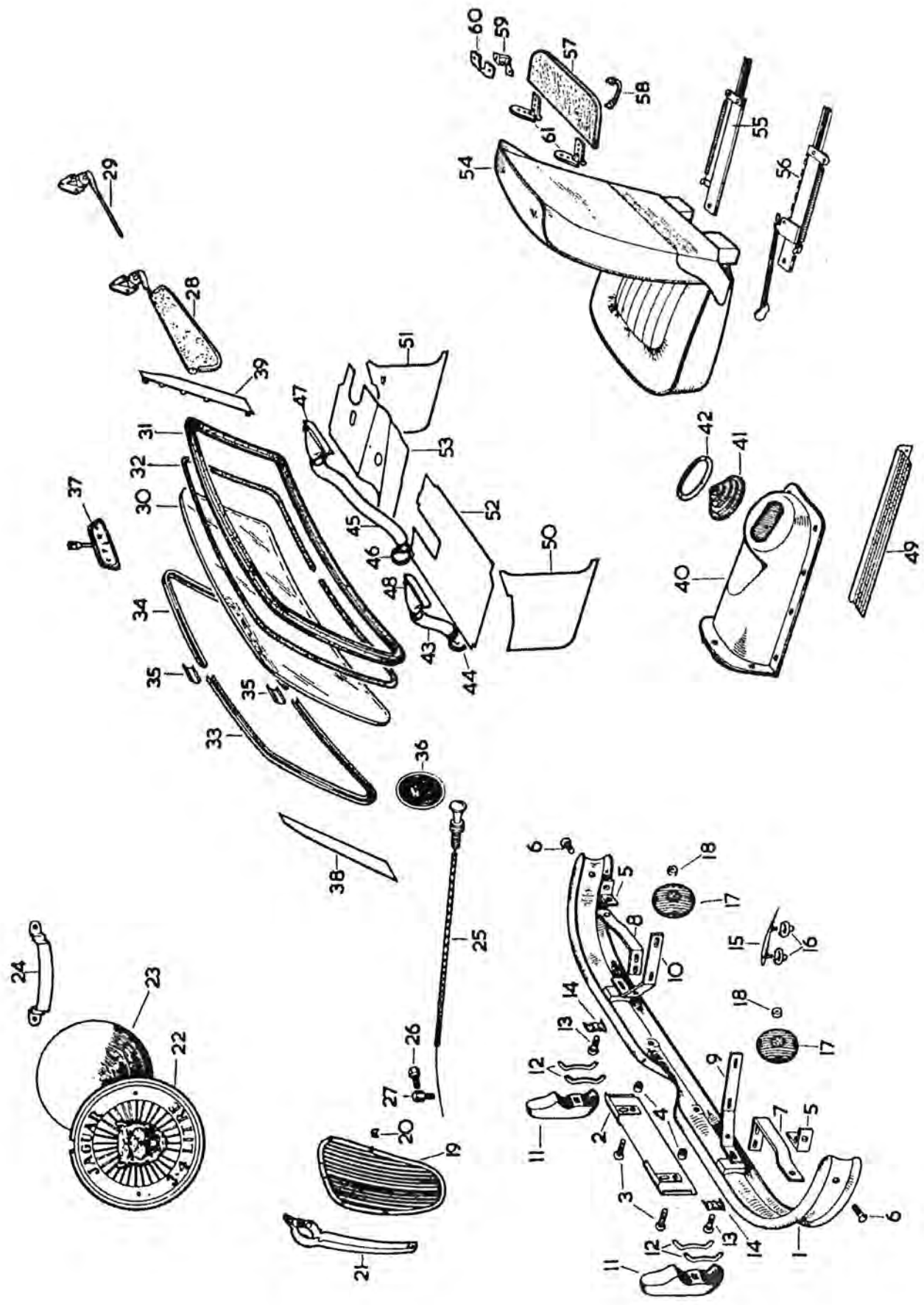


PLATE 18

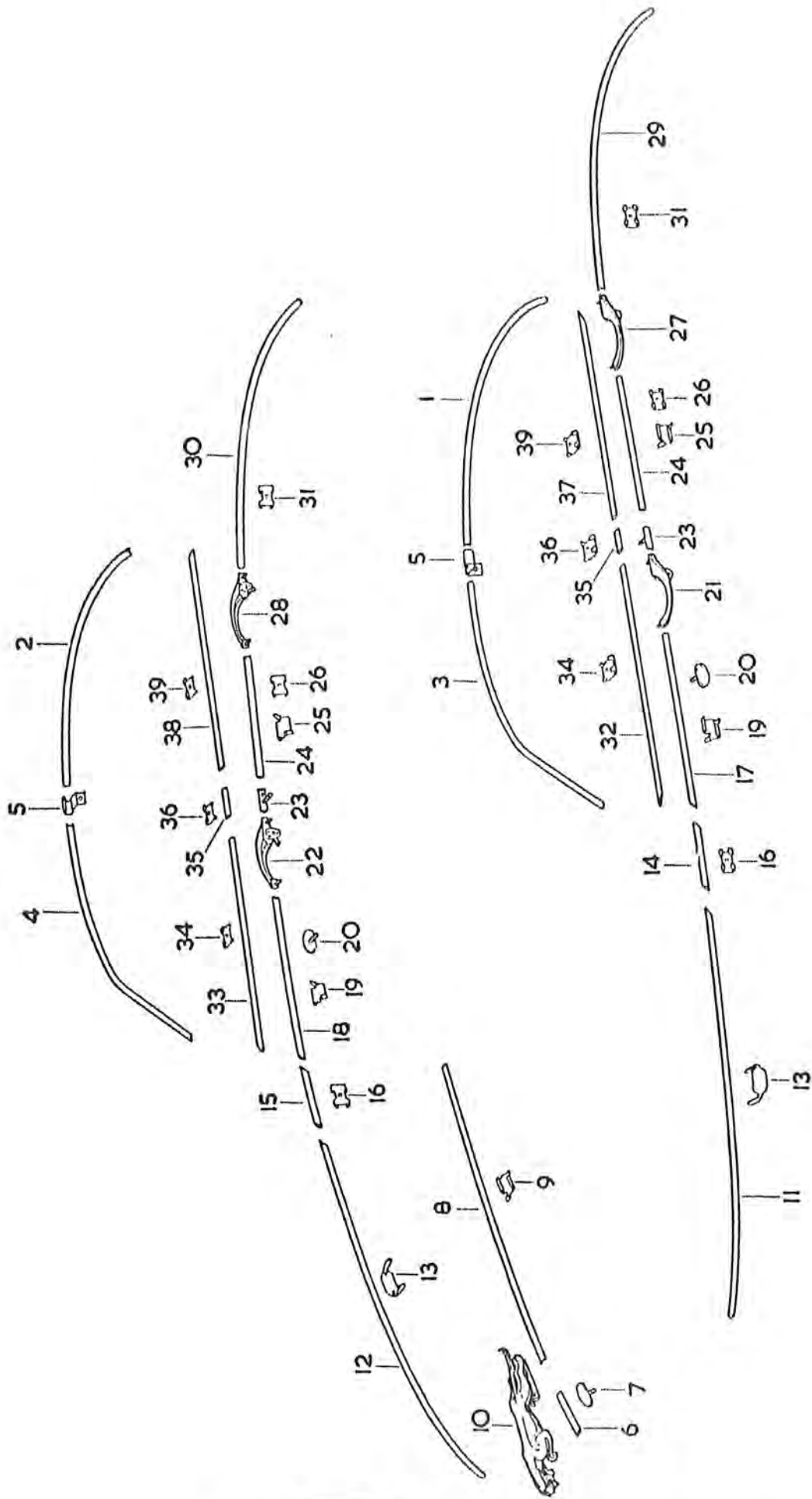


PLATE 19

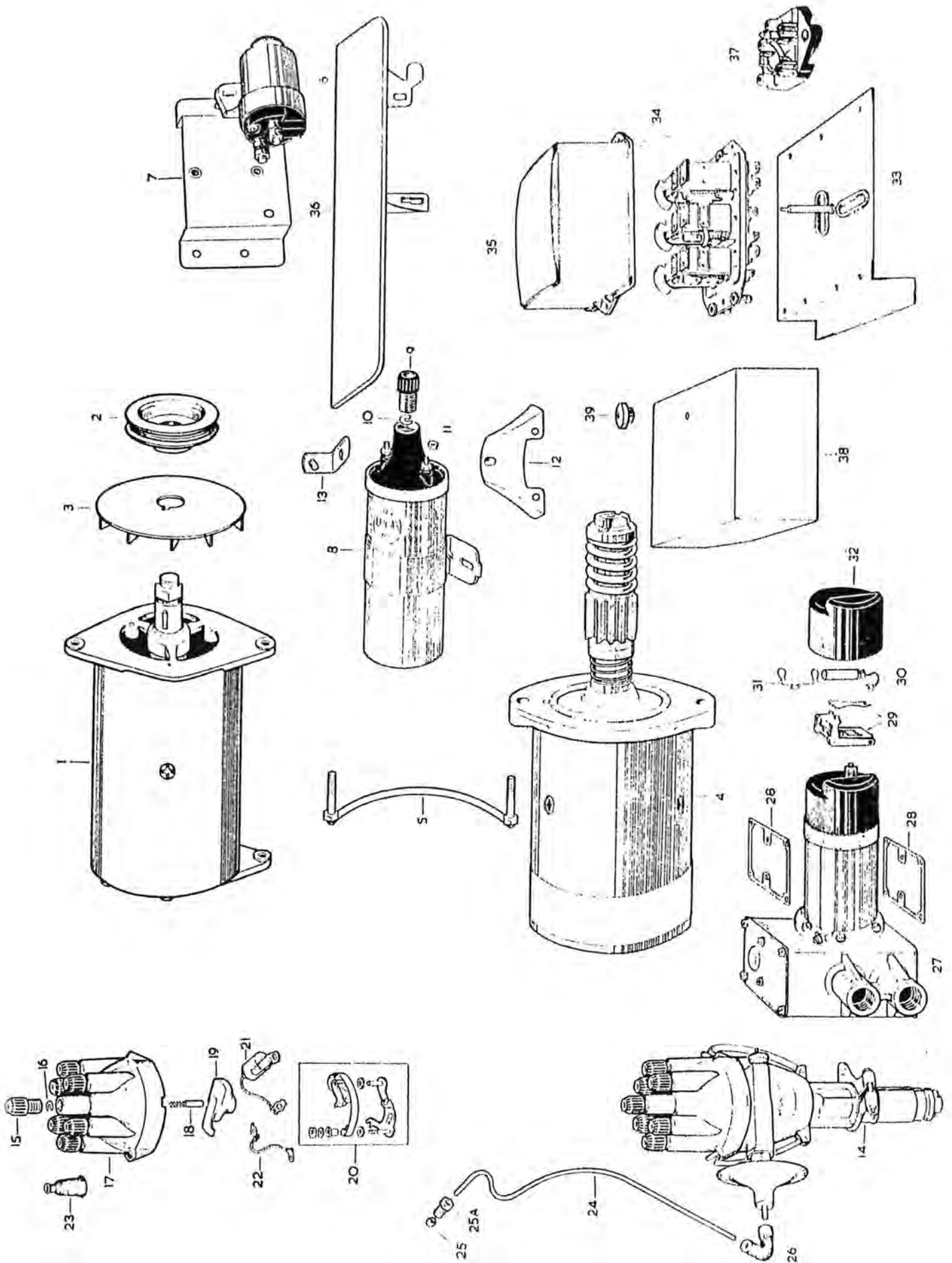


PLATE 20

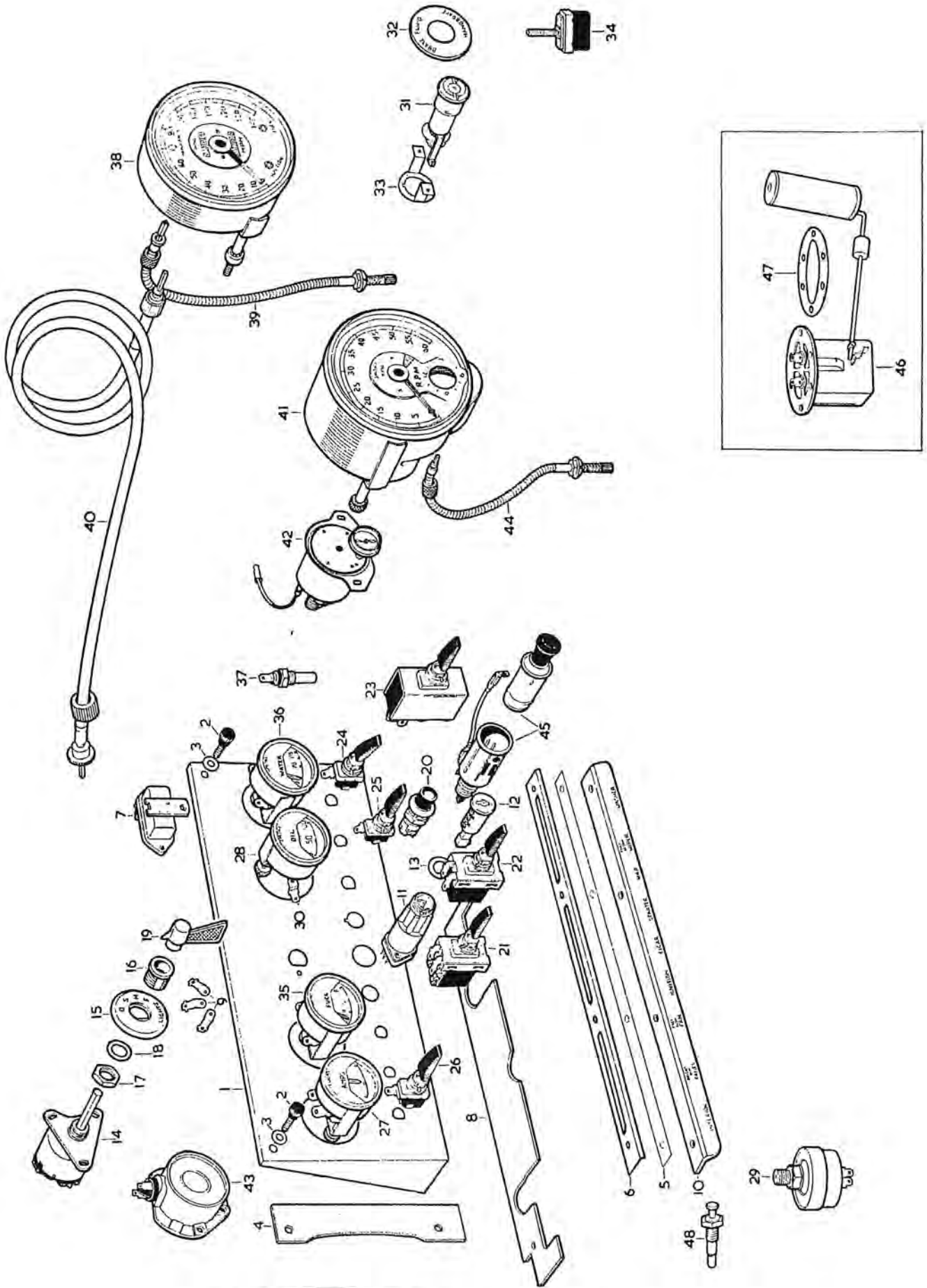


PLATE 21

DAVID MANNERS GROUP

SUPPLYING QUALITY GENUINE, OE & AFTERMARKET
PARTS & ACCESSORIES

CLASSIC MINI | JAGUAR & DAIMLER | MG & TRIUMPH | MORRIS MINOR | MX-5

CLASSIC MINI
0121 544 0011

PARTS FOR ALL MINI CARS
BMC MINI MK I-V, COOPER, CLUBMAN AND MORE

**JAGUAR &
DAIMLER**
0121 544 4040

PARTS FOR JAGUAR AND DAIMLER CARS
DAIMLER V8 PARTS – DAIMLER DART SPARES – JAGUAR MK.II
PARTS - E-TYPE SPARES, JAGUAR XK120, 140 & 150 PARTS, XJ6,
XJ12, XJS, XJ40 PARTS, S-TYPE & X-TYPE PARTS, X300 PARTS, XK8
& XJ8 PARTS

**MG &
TRIUMPH**
0121 544 4444

PARTS FOR CLASSIC MG & TRIUMPH CARS
MGA TO MGTE, TRIUMPH TR2 TO TR8, SPITFIRE, 2000, 2500,
MX5 HERALD, GT6, DOLOMITE, TOLEDO, AUSTIN HEALEY
SPRITE AND AH 3000

MORRIS MINOR
0121 544 5522

PARTS FOR MORRIS MINOR CARS
FOR ALL MODELS BUILT FROM 1948-71 INCLUDING PARTS TO
UPGRADE AND MODERNISE.

MX5
0121 544 5555

PARTS FOR MAZDA MX5 CARS
NOW FOR MAZDA MX5 MK1-2 RANGE



0121 544 4040

E-MAIL: ENQUIRIES@DAVIDMANNERS.CO.UK

VISIT: 991 WOLVERHAMPTON ROAD, OLDBURY, B69 4RJ

WWW.DAVIDMANNERS.CO.UK

PARTS FOR CLASSIC MINI | JAGUAR & DAIMLER | MG & TRIUMPH | MORRIS MINOR | MX-5